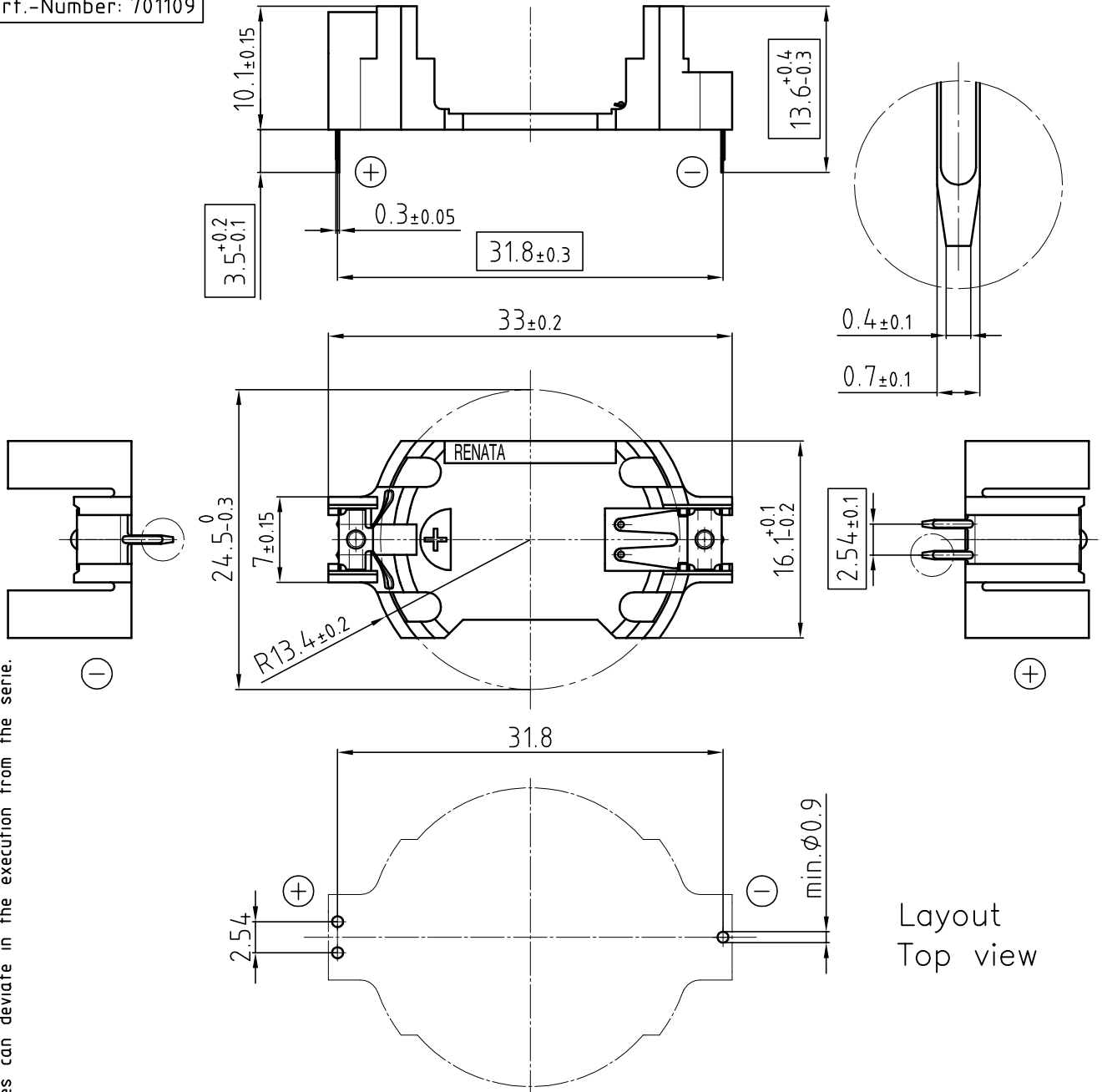


Art.-Number: 701109



Layout
Top view

Samples can deviate in the execution from the serie.

Dimensions and tolerances can be specified only after the testing of the devices for the mass production definitely

- Holder material : heat resistant, glass-fiber reinforced LCP
- Battery contacts : spring stainless steel 301 nickel plated throughout
- Solder contacts : spring stainless steel 301 solder area tin-plated throughout, min. thickness 5µm'

All framed values will be used for dimension checking !

Rev.	①	10.09.07	MCI	Rev.	○				Customer's Approval					
Rev.	②	02.11.07	SRi	Rev.	○				Date					
Rev.	③	18.09.10	Wu Ping	Rev.	○				Signature					
Titel:								Scale 2:1	Drawn	21.01.05	SRi			
HU2477N-LF									Checked	23.09.10	SRi			
									Approved					
								CH-4452 Itingen Switzerland			3.8754.4-3			

Mouser Electronics

Authorized Distributor

Click to View Pricing, Inventory, Delivery & Lifecycle Information:

[Renata:](#)

[HU2477N-LF](#)