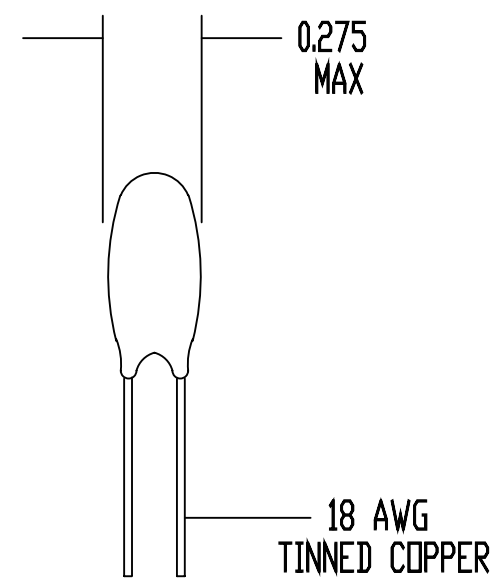
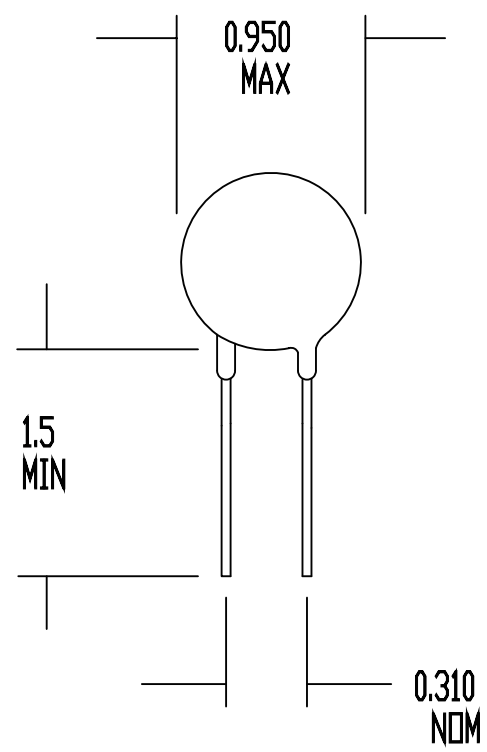



REV	DATE	ECO#
A	05/07/93	1258

DRAWING NOT TO SCALE  
ALL DIMENSIONS IN INCHES



SPECIFICATIONS:

RESISTANCE AT 25 DEG C = 7 OHMS +/- 15%  
 MAXIMUM CONTINUOUS CURRENT (I<sub>max</sub>) = 10 AMPS  
 RESISTANCE AT I<sub>max</sub> = 0.08 OHMS NOMINAL  
 MAXIMUM VOLTAGE RATING = 265 VAC (RMS)  
 MAXIMUM SURGE RATING = 100 JOULES  
 ENCAPSULATION = SILICONE RESIN  
 MARKING = OPTIONAL  
 LEADS = RODAN P/N STL-209-50

DRAWN BY D. NGUYEN		 <b>AMETHERM</b> <i>Circuit Protection Thermistors</i>
DATE 03/17/89	ORIG. F. TISED	
REV A	APP	SURGE-GARD INRUSH CURRENT LIMITER
SHEET 1 OF 1		SG64

# Mouser Electronics

Authorized Distributor

Click to View Pricing, Inventory, Delivery & Lifecycle Information:

[Ametherm:](#)

[SG64](#)