

AZ9571

SUBMINIATURE PC BOARD RELAY

FEATURES

- Subminiature size for high density packaging
- Epoxy sealed for automatic wave soldering
- High sensitivity: 150 mW nominal with 96 mW pickup
- UL, CUR E43203



CONTACTS

Arrangement	SPDT (1 Form C)
Ratings	Resistive load: Max. switched power: 30 W or 62.5 VA Max. switched current: 1 A Max. switched voltage: 60 VDC or 125 VAC UL Rating: 1 A at 30 VDC 0.3 A at 60 VDC 0.5 A at 125 VAC
Material	Silver gold clad
Resistance	< 100 milliohms initially (6 V 1 A method)

COIL

Power At Pickup Voltage (typical)	Standard coil: 128 mW Sensitive coil: 96 mW
Max. Continuous Dissipation	.5 W at 20°C (68°F) ambient
Temperature Rise	Standard: 33°C (59°F) at nominal coil voltage Sensitive: 25°C (45°F) at nominal coil voltage
Temperature	Max. 105°C (221°F)

NOTES

1. All values at 20°C (68°F).
2. Relay may pull in with less than "Must Operate" value.
3. Other coil resistances and sensitivities available upon request.
4. Specifications subject to change without notice.

GENERAL DATA

Life Expectancy Mechanical Electrical	Minimum operations 10 million operations 1 x 10 ⁵ at 0.5A 120 VAC Res.
Operate Time (typical)	5 ms at nominal coil voltage
Release Time (typical)	5 ms at nominal coil voltage (with no coil suppression)
Capacitance	Coil to contact: 7.0 pF Contact to contact: 7.0 pF
Bounce (typical)	At 10 mA contact current 2 ms at operate 8 ms at release
Dielectric Strength (at sea level for 1 min.)	1000 Vrms coil to contact 400 Vrms between open contacts
Insulation Resistance	100 megohms min. at 20°C, 500 VDC, 50% RH
Dropout	Greater than 10% of nominal coil voltage
Ambient Temperature Operating Storage	At nominal coil voltage -40°C (-40°F) to 70°C (158°F) -25°C (-13°F) to 105°C (221°F)
Vibration	3.3 mm DA at 10–55 Hz
Shock	10 g Functional, 100g destructive
Enclosure	P.E.T. polyester
Terminals	Tinned copper alloy
Max. Solder Temp.	270°C (518°F)
Max. Solder Time	5 seconds
Max. Immersion Time	30 seconds
Weight	2.2 grams



AMERICAN ZETTLER, INC.

www.azettler.com

75 COLUMBIA • ALISO VIEJO, CA 92656 • PHONE: (949) 831-5000 • FAX: (949) 831-8642 • E-MAIL: SALES@AZETTLER.COM

4/02/09W

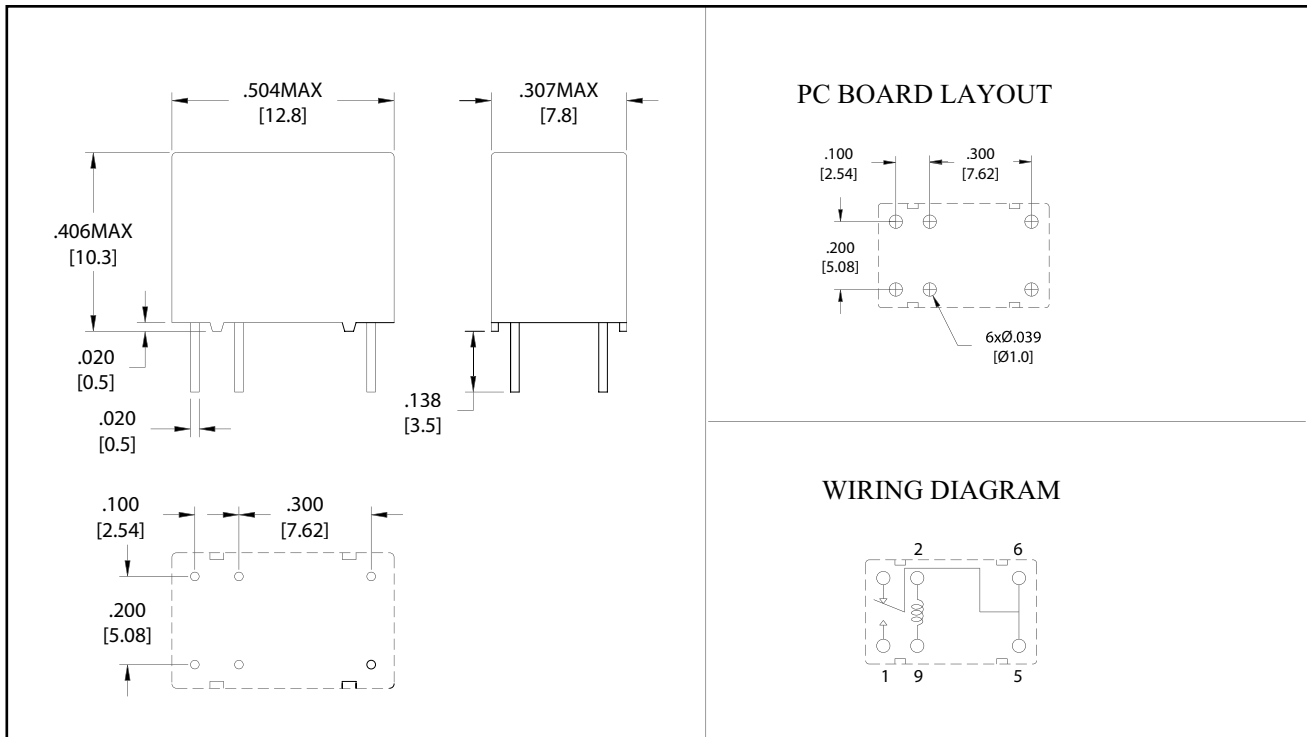
AZ9571

RELAY ORDERING DATA

COIL SPECIFICATIONS: STANDARD COIL				
Nominal Coil VDC	Must. Operate VDC	Max. Continuous VDC	Coil Resistance $\pm 10\%$	ORDER NUMBER
3	2.4	4.5	45.0	AZ9571-1C-3DE
5	4.0	7.5	125	AZ9571-1C-5DE
6	4.8	9.0	180	AZ9571-1C-6DE
9	7.2	13.5	405	AZ9571-1C-9DE
12	9.6	18	720	AZ9571-1C-12DE
24	19.2	36	2880	AZ9571-1C-24DE

COIL SPECIFICATIONS: SENSITIVE COIL				
Nominal Coil VDC	Must. Operate VDC	Max. Continuous VDC	Coil Resistance $\pm 10\%$	ORDER NUMBER
3	2.4	6.0	60.0	AZ9571-1C-3DSE
5	4.0	10.0	167	AZ9571-1C-5DSE
6	4.8	12.0	240	AZ9571-1C-6DSE
9	7.2	18.0	540	AZ9571-1C-9DSE
12	9.6	24.0	960	AZ9571-1C-12DSE
24	19.2	48.0	3840	AZ9571-1C-24DSE

MECHANICAL DATA



Dimensions in inches with metric equivalents in parentheses. Tolerance: $\pm .010''$



AMERICAN ZETTLER, INC.

www.azettler.com

75 COLUMBIA • ALISO VIEJO, CA 92656 • PHONE: (949) 831-5000 • FAX: (949) 831-8642 • E-MAIL: SALES@AZETTLER.COM

4/02/09W