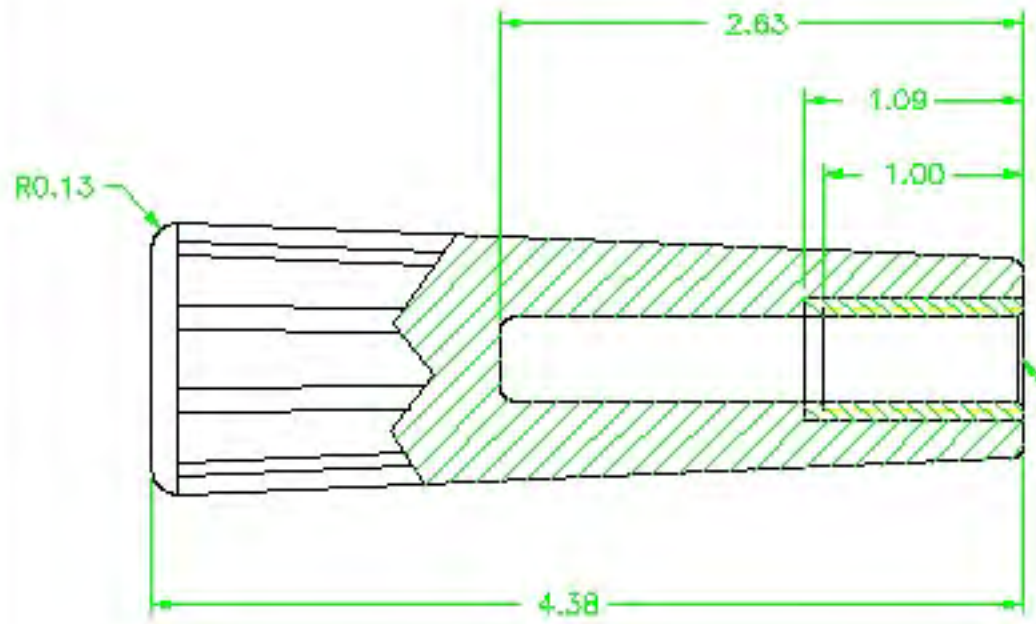


PART NAME: HANDLE SCALE: 1:1 DATE: 11/25/70 DR. BY: NH

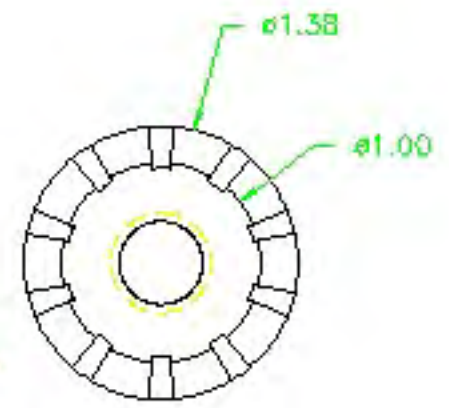
DAVIES MOLDING COMPANY
CAROL STREAM, ILLINOIS 60188

P/N	0698-F
MFG	5682
CAVITY	698
PLUNGER	698
PINS	698+698-5
PIN BAR	M-698
INSERT	10781

THIS DRAWING IS THE PROPERTY OF DAVIES MOLDING COMPANY, IS SUBMITTED SOLELY AS A DESIGN OR ENGINEERING PROJECT. WE ACCEPT NO RESPONSIBILITY WHATSOEVER FOR THE PRACTICAL APPLICATION OF THE PIECES MADE TO THIS DESIGN.



1/2-13 UNC-2B THREADED
10781, H.H. BRASS



MATERIAL: #2511 PLECO PHENOLIC (B11) ^(A)
COLOR: BLACK

TOLERANCES: UNLESS OTHERWISE SPECIFIED	DO NOT SCALE DRAWING			
DECIMALS: X.XXX ± .005 X.XX ± .015	MM: X.XX ± 0.15MM X.X ± 0.4MM	-	RE-DIG REDRAW	TL 8/15/99
FRACTIONS ± 1/64	ANG. ± 1'	A	CAD REDRAW UPDATED DWG	HD 5/14/98
CHANGES				

Mouser Electronics

Authorized Distributor

Click to View Pricing, Inventory, Delivery & Lifecycle Information:

[Davies Molding:](#)

[0698-F](#)