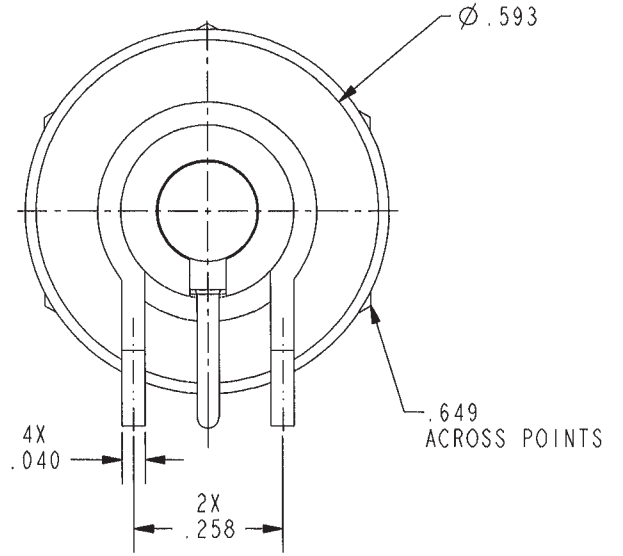
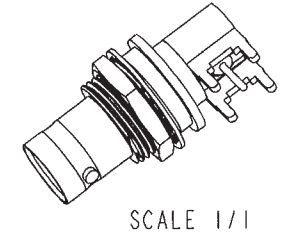
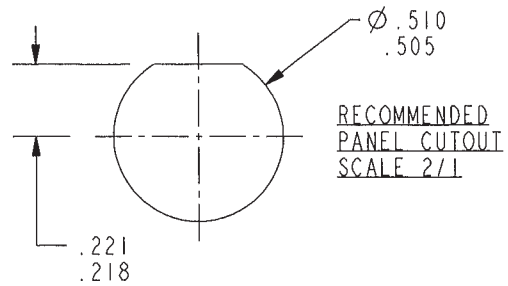
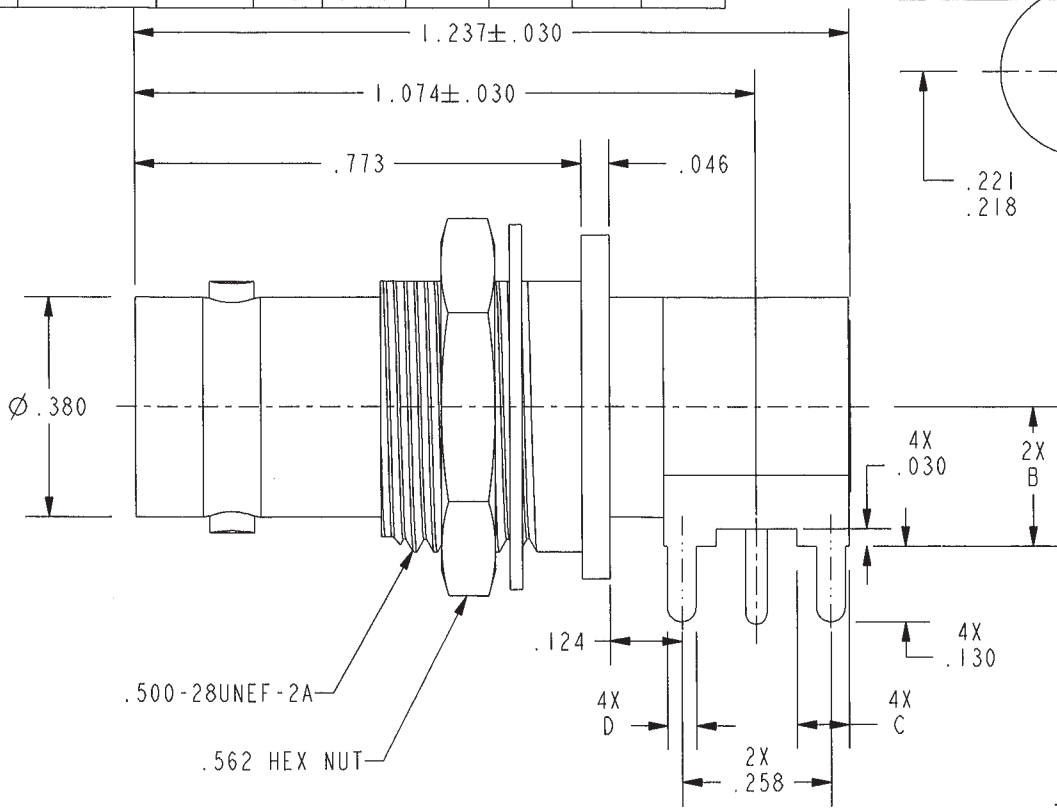


DASH NUMBER	MODEL NUMBER	LETTER CODE	IMPD Ω	A DIA	B DIM	C DIM	D DIM	E DIA
-1	CBBJR29		50	.046	.24	.090	.050	.0625
-2	UCBBJR29		75	.029				
-3	CBBJR29A	A	50	.046	.34	.090	.058	.070
-4	UCBBJR29A		75	.029				

DATA CONTAINED IN THIS DOCUMENT IS PROPRIETARY TO TROMPETER ELECTRONICS INC. AND SHALL NOT BE DISCLOSED, COPIED OR USED FOR PROCUREMENT OR MANUFACTURE WITHOUT EXPRESS WRITTEN PERMISSION.

REVISIONS			
REV	DESCRIPTIONS	DATE	APPROVED
G	REVISED PER ECO 16629	7-18-08	Ramos

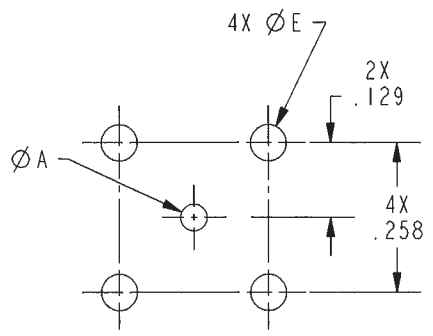


-1 SHOWN

RED INDICATES ORIGINAL

4. MAXIMUM PANEL THICKNESS .179
3. EXAMPLE OF COMPLETE MODEL NUMBER:

CBBJR29	A
BASIC MODEL NUMBER	LETTER CODE
2. FINISH: TFS-1A (NICKEL)
1. 50 & 75 Ω RIGHT ANGLE CIRCUIT BOARD AND BULKHEAD MOUNTING BNC RECEPTACLE



NOTES: UNLESS OTHERWISE SPECIFIED.

INTERPRET DRAWING PER MIL-STD-100. DIMENSIONS ARE IN INCHES AND INCLUDE FINISH THICKNESS UNLESS OTHERWISE SPECIFIED.		TOL: UNLESS SPECIFIED: .XX ± .02 .XXX ± .010 ANGLE ± 1°			
DRN M JOHNSON	5-19-08	MATERIAL:	TITLE: U/CBBJR29		
CHK JM	6-23-08	FINISH:	SIZE A 14949	CAGE CODE 1-0052	REV. G
MANUF		APPROVED JM 7/17/08	DO NOT SCALE DWG	SCALE 3/1	DATE 8-10-99
NEXT ASSY	1-0052	PROTE FILE NO.	DO NOT SCALE DWG	SCALE	SHEET 1C