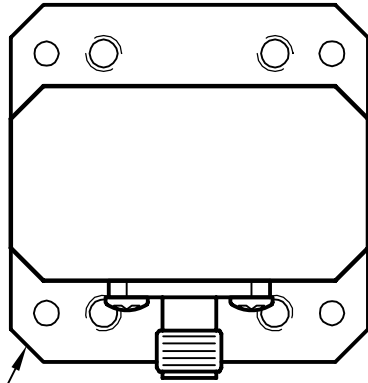
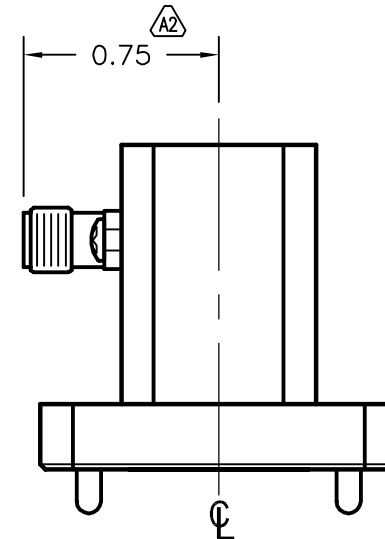
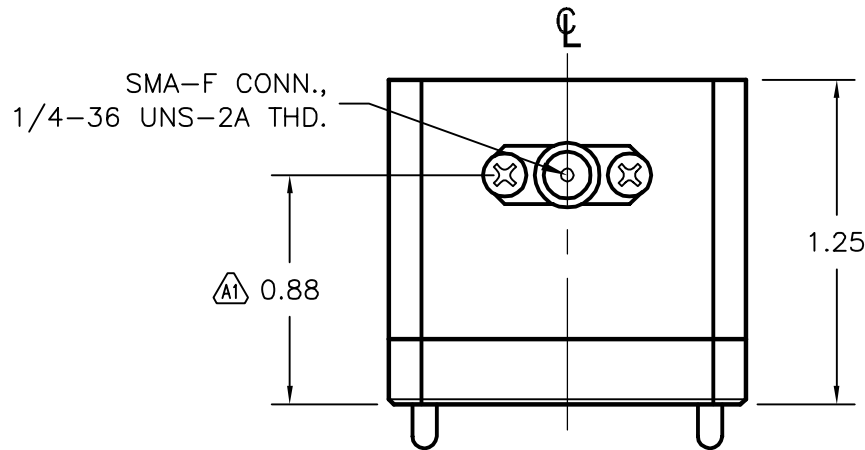


REV <b>A</b>	AUTH <b>RL</b>	DATE <b>12/12/02</b>	INITIAL RELEASE
REV <b>B</b>	AUTH <b>RL</b>	DATE <b>09/18/06</b>	ILLUSTRATION REVISED TO SHOW MILLED HSG.; $\triangle A1$ WAS: .94, $\triangle A2$ WAS: .73 MAX.; FORMAT UPDATE, REDESIGNATED FOR WEB



FLANGE PER ORDER,  
SEE TABLE

DOUBLE RIDGE FLANGE TYPES		
DESIGNATION	TYPE	HOLE PATTERN
C1	COVER	ALL THRU/TAPPED
C2		ALL TAPPED
C3		ALL THROUGH
G1	GROOVE	ALL THRU/TAPPED
G2		ALL TAPPED
G3		ALL THROUGH



### PERFORMANCE SPECIFICATIONS

**MODEL NUMBER:** 650-251-FLANGE TYPE\*  
**WG SIZE:** WRD650  
**FREQ:** 6.5 - 18.0 GHz  
**MAX. VSWR:** 1.25  
**FLANGE TYPE:** SEE TABLE  
**FINISH:** UNIQUE CORROSION RESISTANT  
 316 STAINLESS STEEL EPOXY

THIRD ANGLE PROJECTION:		APPROVALS	DATE	<b>ADVANCED TECHNICAL MATERIALS, INC.</b> TEL: (631) 289-0363 FAX: (631) 289-0358 www.atmmicrowave.com	<small>THE INFORMATION IN THIS DRAWING IS PROPRIETARY AND SHALL NOT BE USED OR DISCLOSED WITHOUT THE PRIOR WRITTEN CONSENT OF ATM, INC. DO NOT SCALE DWG.</small>
UNLESS OTHERWISE NOTED, DIMENSIONS ARE IN INCHES. TOLERANCES ARE: FRACTIONS: $\pm 1/64$ ANGLES: $\pm 1/2^\circ$		DRAWN <b>RL</b>	<b>09/18/06</b>		
BASIC DIMENSION	DECIMALS 2 PLACE 3 PLACE	CHKD.	APRVD.	<b>OUTLINE, WRD650</b> <b>SMA - WAVEGUIDE ADAPTER</b>	
UNDER 6"	$\pm .02$ $\pm .005$	MATERIAL <b>ALUM.</b>			
6" - 12"	$\pm .03$ $\pm .010$	TREATMENT <b>IRIDITE</b>			
OVER 12"	$\pm .06$ $\pm .015$	FINISH <b>SEE NOTES</b>			
SIZE <b>A</b>	CAGE CODE 0R8N4	ATM DWG # <b>3485W</b>	REVISION <b>B</b>		
SCALE <b>NONE</b>	MODEL # <b>650-251-XX</b>	SHEET <b>1/1</b>			