



PRINCIPLE TECHNICAL CHARACTERISTICS

Waterproof plunger switch (quick make/break)

Simple push-button operation (axial command only)

Operated by roller-ended plunger (compatible with oblique actuation forces)

Actuation force management by locknuts and positioning washers within a smooth housing

Weight **120 to 135 grams ±5%**
see P/N chart

Nickel plated brass frame

Switch terminals soldered to a hermetic connector

Meet the requirements of AIR8461 AIR9461 AIR0711

CONTACT ELECTRICAL CHARACTERISTICS

Load type	Electrical ratings			
	30Vdc		115Vac / 400Hz	
	Nominal rating (Amps)	Overload rating (Amps)	Nominal rating (Amps)	Overload rating (Amps)
Resistive	3	4.5	2	3
Inductive (L/R=5ms)	1.5	4.5	1.5	4.5
Lamp	1.25	3.75	2	3



Featuring **LEACH**® power and control solutions
www.esterline.com

AMERICAS
6900 Orangethorpe Ave.
P.O. Box 5032
Buena Park, CA 90622

Tel: (01) 714-736-7599
Fax: (01) 714-670-1145

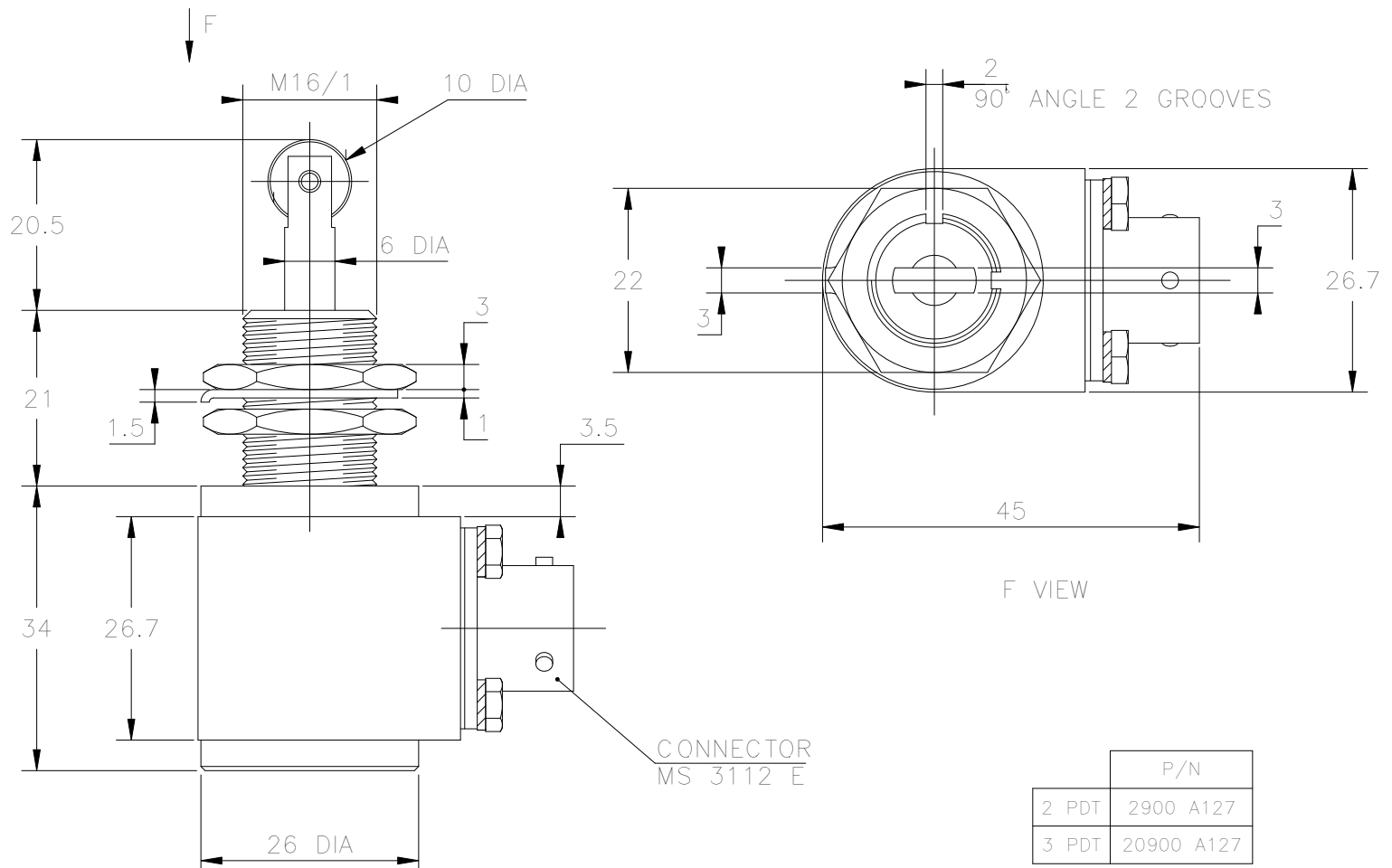
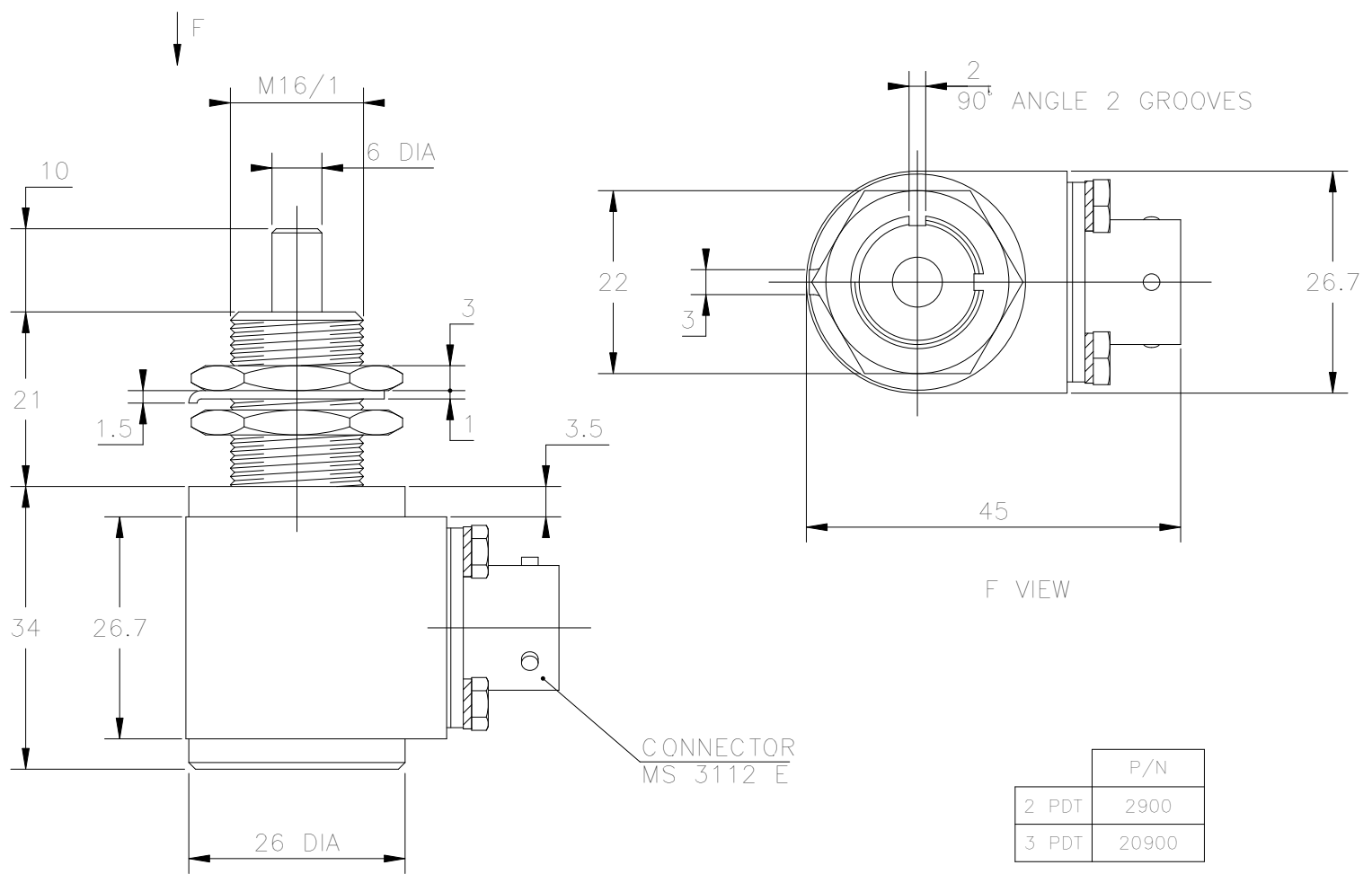
EUROPE
2 Rue Goethe
57430 Sarralbe
France

Tel: (33) 3 87 97 31 01
Fax: (33) 3 87 97 96 86

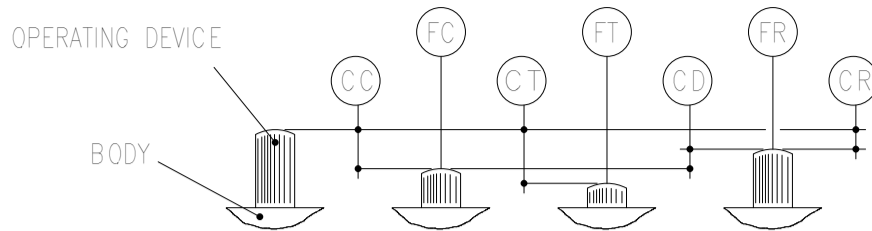
ASIA
Units 602-603 6/F Lakeside 1
No.8 Science Park West Avenue
Phase Two, Hong Kong Science Park
Pak Shek Kok, Tai Po, N.T.
Hong Kong

Tel: (852) 2 191 3830
Fax: (852) 2 389 5803

Data sheets are for initial product selection and comparison. Contact Esterline Power Systems prior to choosing a component.



DIMENSIONS IN MM
STANDARD TOLERANCE : ±0.5



TRAVELS
 CC = Operating travel
 CT = Total travel max
 CD = Differential travel

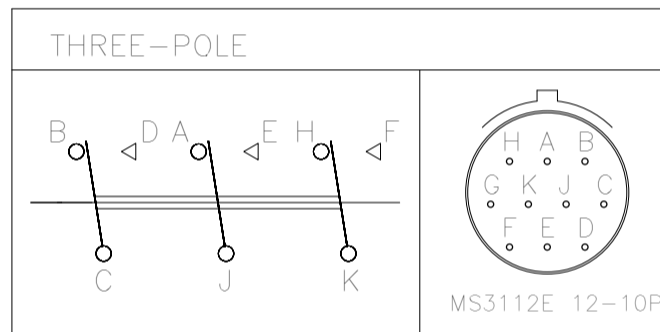
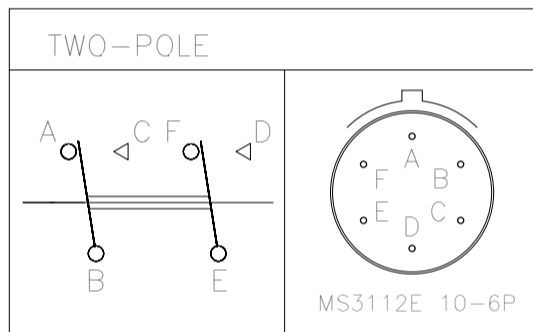
FORCES
 FC = Operating force
 FT = Total travel force
 FR = Release force
 FM = Max overtravel force

POSITION	REST	OPERATING	OVERTRAVEL	RELEASE
CORRESPONDING ELECTRICAL CIRCUIT				

		2 PDT	3 PDT	FORCES		daN
TRAVELS		mm	mm			
CC	Operating	< 2	< 2	FC	Operating	< 3.5
CT	Total max	6	6	FT	Total max	< 7
CD	Differential	< 0.8	< 0.8	FR	Release	> 1.8
				FM	Max	15

- Angular command capability only for roller-ended plunger models, in accordance with max travels. (see curve last page)
- For optimum device use, nominal travel must be around the median between operating and total travel values.

SCHEMATIC DIAGRAM



TERMINALS
 sealed connector 851 version conform to:
 - MIL-C 26482 G series 1 (MS 3112 E)
 - NFC 93422 - HE 301 B 02 E
 - VG 95328 H

PART NUMBERS

P/N	Weight	Type	Actuator		Terminals	
	in grams ±5%	Waterproof	Plain plunger	Roller-ended plunger	MS3112E 10-6P	MS3112E 12-10P
2900	120	2 PDT	●		○	
2900 A 127	125	2 PDT		●	○	
20900	130	3 PDT	●			○
20900 A 127	135	3 PDT		●		○

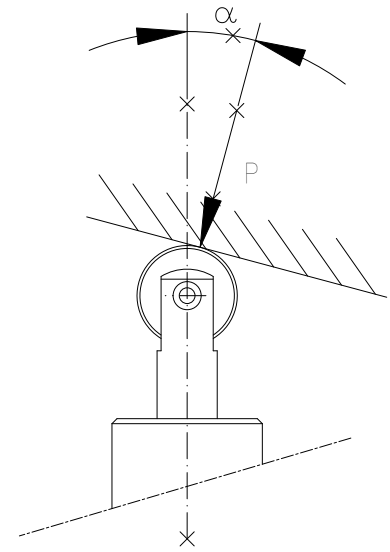
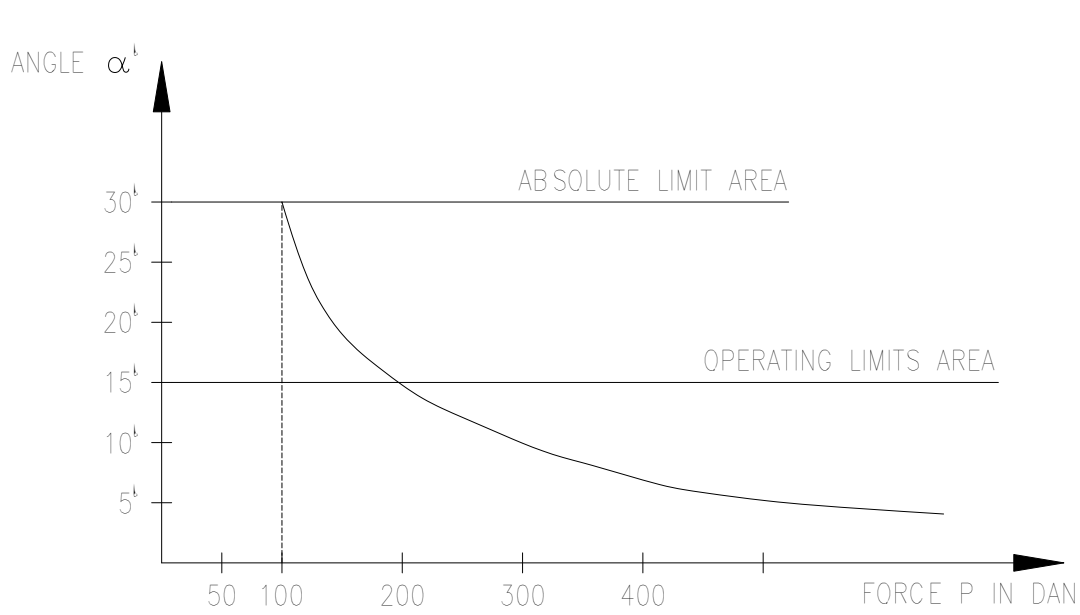
GENERAL CHARACTERISTICS

SERIES 2900, 20900

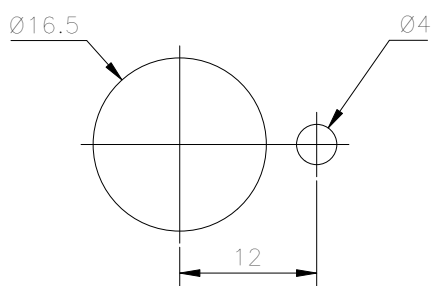
Temperature range	-55°C to +80°C
Minimum operating cycles (life) at rated load	50,000 cycles
Dielectric strength at sea level	500 Vrms
Dielectric strength at max altitude	300 Vrms
Insulation resistance at 500 Vdc	100 M Ω
Sinusoidal vibration	10G / 20 to 2000 Hz
Shock	50G / 11 ms
Contact voltage drop, initial value	120 mV

NOTES

Admissible limits curve for angular commande



PANEL CUTOUT



OTAN CODES

Type	N.N.O.
2900.....	5930 14 285 8251
2900 A127.....	5930 14 422 3327
20900.....	
20900 A127.....	