

PRODUCT NUMBER
76745-YXX-XXLF

- RoHS COMPATIBLE, SEE NOTE 8
- TOTAL NB OF POS (04 TO 72 POS)
- OPTION LETTER, SEE NOTE 6
- PIN STYLE

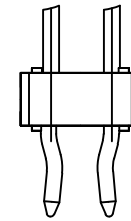
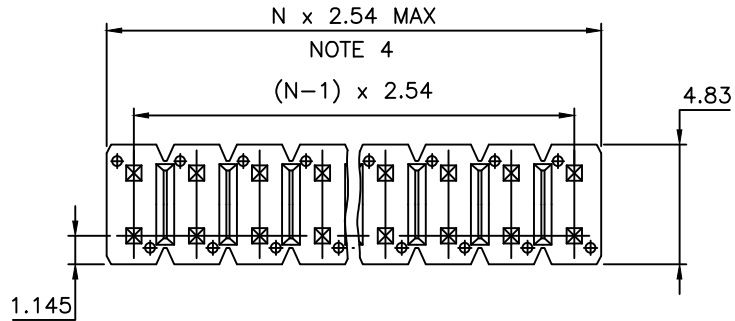
- PLATING
- 1 = 0.76µm GOLD/GXT,
 - 3 = 2µm MIN MATTE TIN FULL PLATED
 - 5 / 8 = 0.38µm GOLD/GXT
 - 1.27µm Ni MIN UNDERPLATING

NOTES:

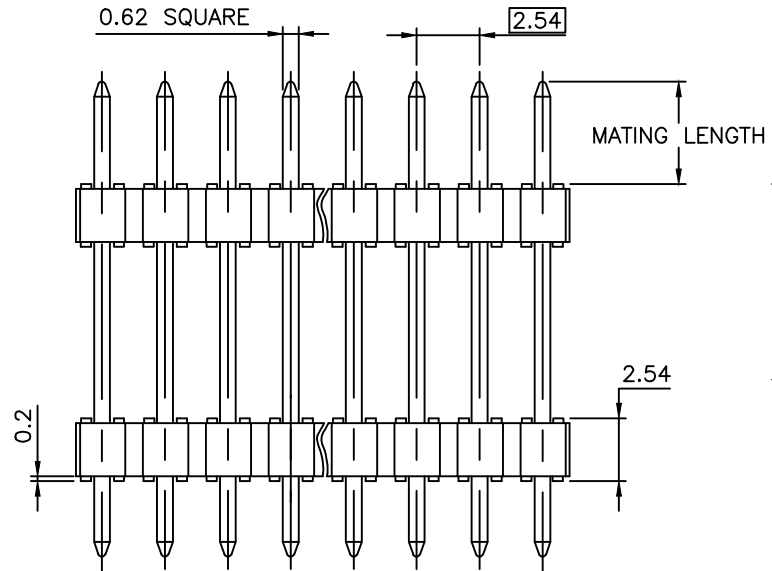
1. HOUSING MAT'L : HIGH TEMPERATURE THERMOPLASTIC. UL94V-0 COLOR: BLACK.
2. PIN MATERIAL : PHOSPHOR BRONZE.
3. 12N MIN RETENTION IN EITHER DIRECTION.
4. TO DETERMINE DIMENSIONS :
N = NUMBER OF POSITIONS PER ROW
EXAMPLE : 8 POS PER ROW, N x 2.54 = 20.32mm
5. FOR STANDARD SELECTIVE GOLD PLATED PRODUCTS SEE DRAWINGS 54111 & 54121.
6. OTPION LETTER :
— = STANDARD PACKAGING IN POLYBAG
V = POLYBAGS PACKAGING FOR CUSTOMER DEDICATED PART
B = TUBE WITH PICK UP CAP AS AVAILABLE
7. RETENTION IS APPLIED TO TWO ADJACENT PINS AT EACH END OF THE PRODUCT SEE SCHEMA 1
OMIT FROM PRODUCT NUMBER IF THIS FEATURE IS NOT APPLICABLE

8. RoHS COMPATIBLE PRODUCT SPECIFICATIONS

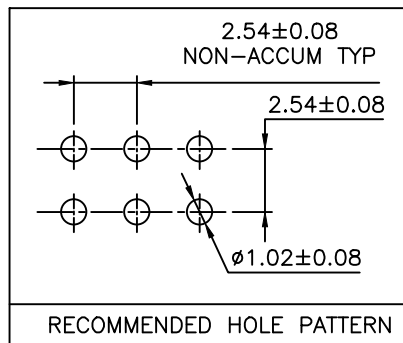
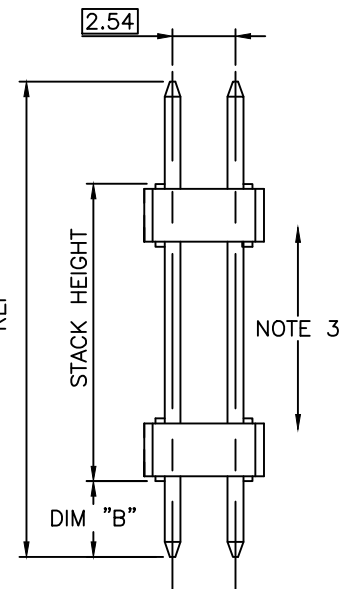
- a - PLATING:
— "LF" MEANS THE PRODUCT IS LEAD-FREE, 2µm MINIMUM MATTE TIN OVER 1.27µm MINIMUM NICKEL UNDERPLATE.
- b - MANUFACTURING PROCESS COMPATIBILITY
— THE HOUSING WILL WITHSTAND EXPOSURE TO 260°C ±5°C SOLDER BATH TEMPERATURE FOR WITH A 1.6mm MIN THICK CIRCUIT BOARD.
- c - LABELING:
— MEETS PACKAGING SPECS AS PER GS-14-920
- d - LEGAL STATEMENT: SEE GS-47-0004



SCHEMA 1
TWO RETENTION PIN AT EACH END OF THE PRODUCT



OAL (OVERALL LENGTH) REF



mat'l. code	surface	tolerance	projection	product family																
SEE NOTES	ISO 1302	ISO 406 ISO 1101		BSTIK																
ltr	ecn no	dr	date	tolerances unless otherwise specified																
FF	B-19782	AMA	14.12.18	angles																
FG	B-20322	AMA	15.01.27	Linear																
FH	F-22479	BVE	15.11.12	x.xx ±0.3 x.xx ±0.13 x.xxx ±0.05																
		dr	NIZZI P	94.05.05																
FC	B-17321	LMU	14.03.27	enrg COMPAGNON J																
FD	B-19264	LMU	14.11.03	chr																
FE	B-19345	LMU	14.11.07	appd JMC																
				95.12.05																
sheet	revision	FH	CB	F	A															
index	sheet	1	2	3	4															



1

2 3

4

5

6

APPLICATION SPECIFIC				
PIN STYLE	MATING LENGTH ±0.2	STACK HEIGHT ±0.25	"B" ±0.25	("OAL") REF
01	8.71	19.76	2.65	31.12
02	6.87	16.5	3.05	26.42
03	6.87	13.0	3.63	23.5
04	5.6	6.5	2.88	14.98
05	5.51	8.0	3.05	16.56
06	6.61	11.3	3.05	20.96
07	5.58	10.3	2.54	18.42
08	5.81	7.7	3.05	16.56
09	5.72	5.08	2.54	13.34
10	6.9	10.45	2.71	20.06
11	11.2	9.5	2.8	23.5
13	9.07	6.3	3.05	18.42
14	5.33	21.5	2.48	29.31
17	7.5	23.45	3.05	34.0
19	9.5	10.45	3.55	23.5
21	11.96	18.5	3.2	33.66
23	9.0	25.9	3.05	37.95
24	8.87	14.5	3.05	26.42
25	9.84	11.43	9.85	31.12
28	6.6	8.25	2.8	17.65
29	9.1	15.7	3.2	28.0
34	8.0	12.0	3.0	23.0
36	10.55	7.5	10.53	28.58
40	7.0	6.5	3.06	16.56
55	13.0	20.0	3.2	36.2
57	11.78	5.08	3.23	20.06
58	23.0	8.5	5.5	36.97
59	9.0	18.2	9.0	36.2
62	9.2	9.3	3.5	22.0
68	6.75	8.0	2.9	17.65
71	6.8	5.2	2.69	14.69
79	9.95	39.0	3.05	52.0
80	5.68	7.0	2.3	15.0
88	10.8	8.0	3.7	22.5
AN	10.0	29.0	3.0	42.0
BD	11.7	13.5	3.21	28.41
BM	11.5	11.5	3.04	26.04
BT	8.5	35.0	8.5	52.0
CB	9.0	30.0	3.0	42.0
CD	9.24	12.0	9.24	30.48

SEE SHEET 3

APPLICATION SPECIFIC				
PIN STYLE	MATING LENGTH ±0.2	STACK HEIGHT ±0.25	"B" ±0.25	("OAL") REF
CF	8.25	16.0	8.25	32.5
CG	6.0	40.0	6.0	52.0
CH	11.02	12.0	3.02	26.04
CN	7.08	5.60	7.08	19.77
CP	9.50	7.00	2.41	18.91
CT	11.0	6.0	11.0	28.0
CU	9.75	13.0	9.75	32.5
CV	9.44	13.00	3.60	26.04
CW	5.00	36.00	5.00	46.00
CX	10.00	26.00	6.00	42.00
CY	10.9	18.20	10.9	40.00
CZ	5.5	23.00	5.50	34.00
DA	13.00	14.50	6.50	34.00
DB	12.75	8.50	12.75	34.00
DC	SEE SHEET 3			
DE	6.00	34.00	6.00	46.00
DF	9.12	7.80	9.12	26.04
DG	3.50	43.00	3.50	50.00
DH	6.50	8.00	6.50	21.00
DJ	5.80	17.75	5.80	29.31
DK	5.40	9.00	2.90	17.30
DL	9.00	8.50	6.00	23.50
DM	7.40	23.70	3.30	34.40
DN	7.40	12.10	3.30	22.80
DP	8.00	16.80	5.40	30.20
DR	6.40	15.00	6.40	27.80
DS	7.00	29.00	7.00	43.00
DT	9.80	27.40	9.80	47.00
DU	9.50	36.50	9.50	55.50
DV	9.30	6.30	5.80	22.00
DW	5.30	40.40	3.30	49.00

SEE SHEET 3

SEE SHEET 3

SEE SHEET 3

APPLICATION SPECIFIC				
PIN STYLE	MATING LENGTH ±0.2	STACK HEIGHT ±0.25	"B" ±0.25	("OAL") REF
DX	6.50	12.50	6.50	25.50
DY	6.50	9.50	6.50	22.50
EA	6.65	32.30	3.05	42.00
EB	2.66	15.00	5.84	23.50
EC	10.00	39.60	2.40	52.00
ED	5.40	57.20	2.40	65.00
EF	5.84	46.50	3.05	55.40
EG	5.60	20.00	5.64	31.24
EH	4.60	15.00	1.50	21.10
EJ	9.26	5.08	9.26	23.60
EK	6.00	7.50	6.00	19.50
EL	6.00	12.30	4.10	22.40



FCIconnect.com

Copyright FCI

form: A3

1

2

3

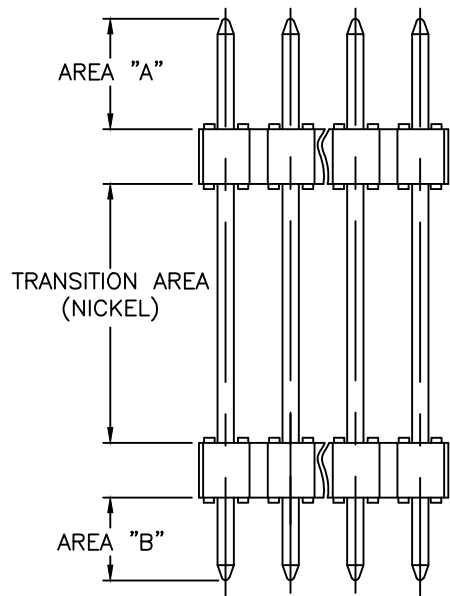
4

5

6

mat'l. code		surface		tolerance		projection		product family	
		ISO 1302 ✓		ISO 406 ISO 1101				BSTIK	
ltr		ecn no		dr		date		title	
CB		B-20322		AMA		15.01.27		HEADER STR,DR	
				angles		linear		DOUBLE BODY	
BV		F10-0259		LMU		10.12.19		scale	
BW		F11-0045		LMU		11.04.04		dr	
BX		F12-0090		JFA		12.12.07		enrg JMC	
BY		B-16665		LMU		14.01.06		chr	
CA		B-1345		LMU		14.11.07		appd JMC	
sheet		revision							
index		sheet							
								dwg no	
								76745	
								sheet 2 of 4	
								size	
								A3	
								type	
								CUSTOMER	
								Drawing	





SPECIFICS PLATING AREA FOR PART NUMBERS :

- P/N 76745-1CH-10LF
- P/N 76745-1CH-18LF
- P/N 76745-579R24LF
- P/N 76745-579R30LF
- P/N 76745-1CU-20LF
- P/N 76745-1DF-26LF

AREA "A" & "B" : GOLD/GXT PLATING AREA



Copyright FCI

mat'l. code		surface		tolerance		projection		product family			
		ISO 1302 ✓		ISO 406 ISO 1101				BSTIK			
ltr	ecn no	dr	date	tolerances unless otherwise specified				title			
A	F06-110	LMU	06.01.26	angles	linear			HEADER STR,DR DOUBLE BODY			
B	F06-0196	LMU	06.06.20			scale		dwg no			
C	F07-0266	J.CO	07.10.15					sheet 3 of 4 size			
D	F12-0023	LMU	12.06.06	dr	L.MULIN	06.01.31			76745 A3		
E	F12-0090	JFA	12.12.07	enrg	J.COMPAGNON	06.01.31			type		
F	B-16665	LMU	14..01.06	chr			CUSTOMER		Drawing		
sheet index		revision sheet		appd		JMC		06.01.31			

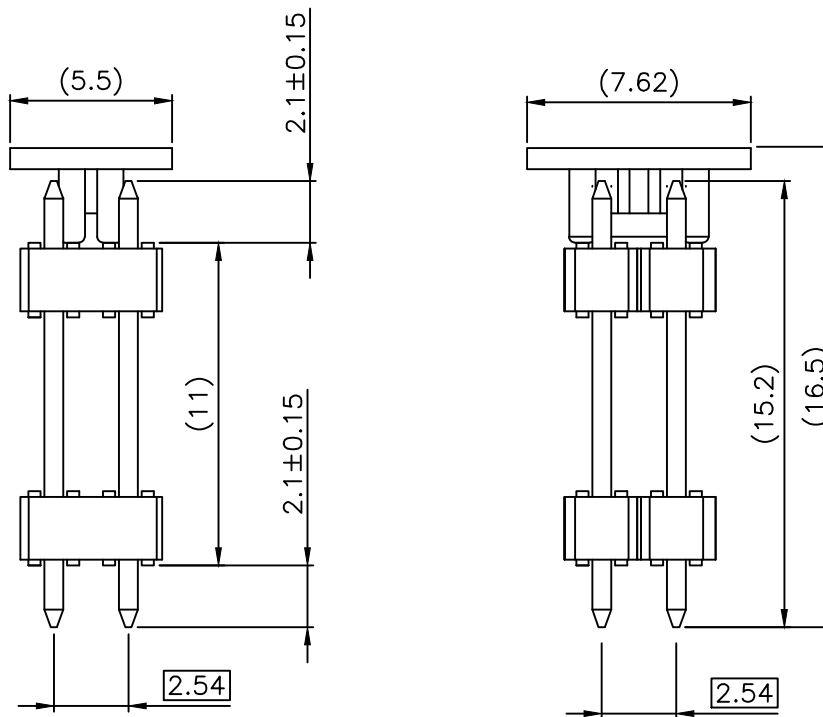
SPECIFIC PRODUCT NUMBER

76745-3DCA04LF

- RoHs COMPLIANT
- TOTAL NB OF POS
- PACKAGING TYPE, SEE NOTE 1
- PIN STYLE
- PLATING
3 = 2µm MATTE TIN
OVER 1.27µm Ni MIN

NOTES :

1. PACKAGING : A = TAPE & REEL PACKAGING WITH PICK UP CAP INSTALLED SEE TA 840
2. PRODUCT COMPATIBLE WITH REFLOW PROCESS. 255°C PEAK TEMPERATURE 10-40 SECONDES IN A CONVECTION, INFRA-RED OR VAPOR PHASE



Copyright FCI

mat'l. code		surface		tolerance		projection		product family		
		ISO 1302 ✓		ISO 406 ISO 1101				BSTIK		
ltr	ecn no	dr	date	tolerances unless otherwise specified						
A	B-16665	LMU	14.01.06							
				angles		linear		mm		
								scale		
		dr	L.MULIN	13.02.18			dwg no		sheet 4 of 4	size
		enrg	J.COMPAGNON	13.02.18			76745		A3	
		chr					type		CUSTOMER Drawing	
sheet index		revision sheet								