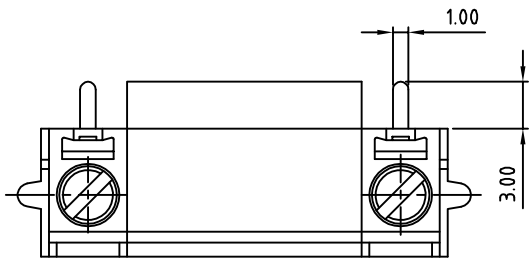


SIGN	DATE	DESCRIPTION	APPROVER
		<i>THIS IS CAD DRAWING, DO NOT REVISE MANUALLY!!!</i>	



**Material**

- Terminal body  
(metal housing): Brass(CuZn)
- Terminal screw: Steel Zinc plating "-" slot type
- Contacts: Brass
- Surface of solder tail: Tin plated
- Insulator (housing): Thermoplastic (UL94V-0)

**Electrical**

- Voltage rating: 300VAC
- Current rating: 6A
- Wire range:  
Solid wire(AWG): 14-30  
Stranded wire(AWG): 14-30
- Torque(Lb-in): 3.5
- Screw: M3
- Wire strip length: 6-7mm
- Withstanding Voltage: 1.6KV
- Operating temperature: -45°C to +130°C
- Soldering temperature: 260°C±10°C/5 Sec SUITABLE FOR REFLOW

RoHS Compliant

PART NUMBER:

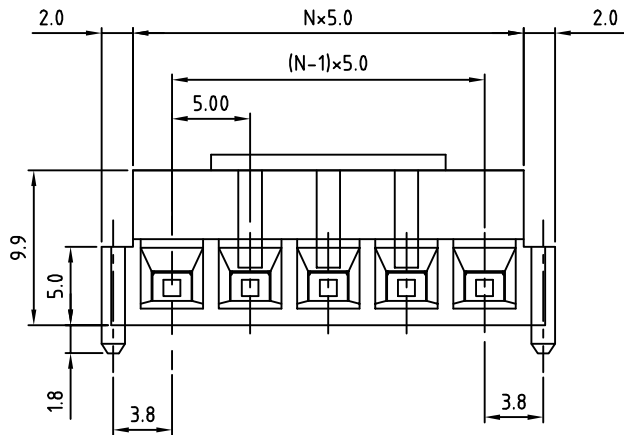
**OSTTZXX0101**

No. of Poles

- 02 2 Poles
- 03 3 Poles
- ... ..
- 07 07 Poles

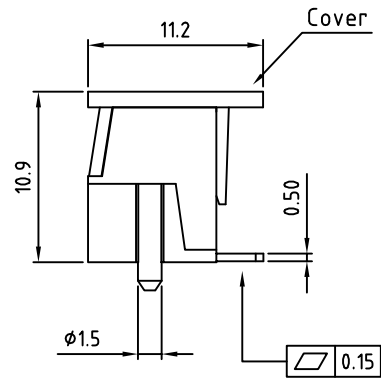
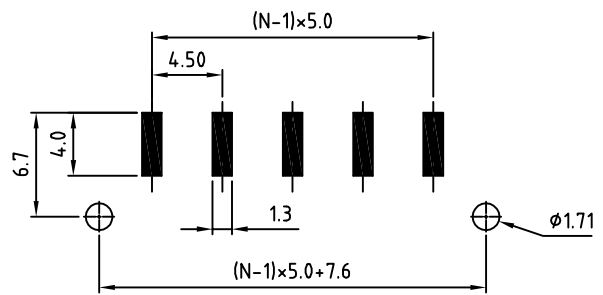
COLOR

0: Black



N=Number of poles(2pole-7pole)

**RECOMMENDED P.C.B LAYOUT**



THESE DRAWINGS AND SPECIFICATIONS ARE THE PROPERTY OF ON-SHORE TECHNOLOGY, INC. AND SHALL NOT BE REPRODUCED, COPIED OR USED IN ANY MANNER WITHOUT THE PRIOR WRITTEN CONSENT OF ON-SHORE TECHNOLOGY, INC.



TITLE		OSTTZ 5.0mm series with cover 2p-7p			
PART NO.	OSTTZXX0101	DWG NO.	OSTTZXX0101.DWG		
APPROVED	CHECKED	DESIGNED	DRAWN	CUST NO.	Tolerance
Shi Jun 2006.10.23	Marvin 2006.10.23	Marvin 2006.10.23	Marvin 2006.10.23		X. ±0.50 X.X ±0.30 X.XX ±0.10 X° ±1°
				UNIT: mm	
				SCALE: NONE	
				REV: D	
				SHEET: 01/01	