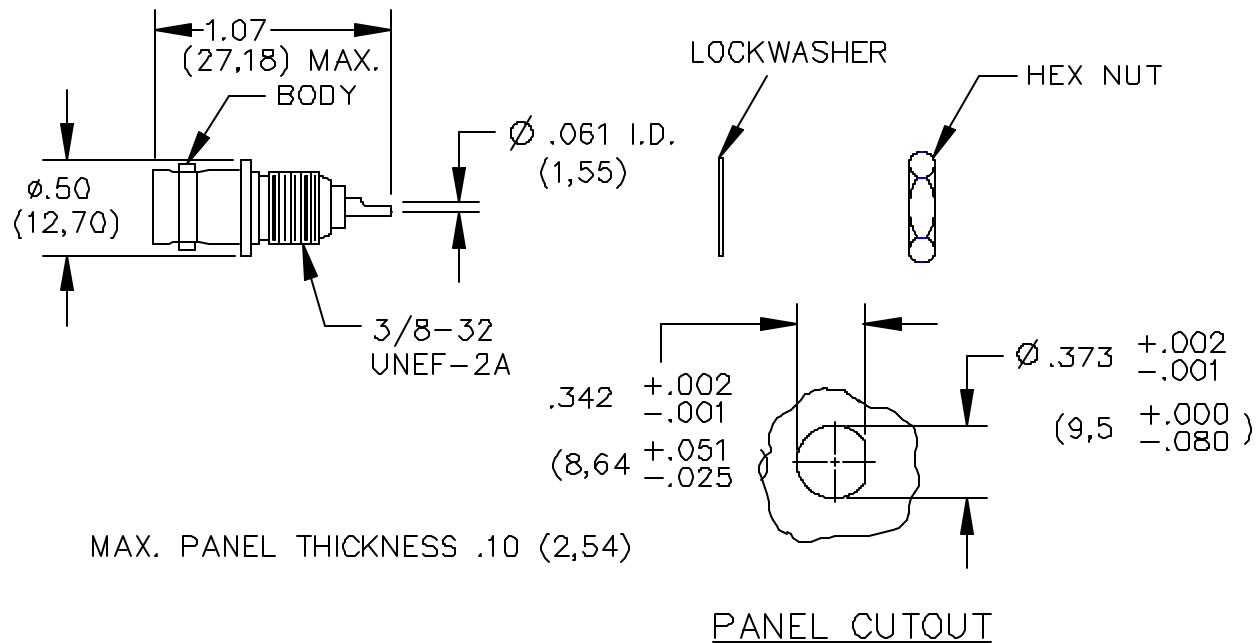


## Model 4160 Connector, BNC (Female), Bulkhead



### FEATURES:

- Connector meets the interface requirements of MIL-STD-348

### MATERIALS:

Body and Fittings – Brass, Tarnish Resistant Plating

Center Contact – Gold Plated Beryllium Copper

Dielectric: PTFE

Marking: “Pomona 4160”

### RATINGS:

Operating Voltage: Shield/Earth: 30VAC/60VDC Max.

Inner Conductor/Shield: 500VRMS Max.

Operating Temperature: -65°C to +165°C

Nominal Impedance: 50 Ohms

### ORDERING INFORMATION: Model 4160

Parts are packaged one per bag, unassembled.

All dimensions are in inches. Tolerances (except noted): .xx = ±.02” (.51 mm), .xxx = ± .005” (.127 mm).

All specifications are to the latest revisions. Specifications are subject to change without notice.

Registered trademarks are the property of their respective companies. Made in USA

Sales: 800-490-2361 Fax: 888-403-3360  
Technical Assistance: 800-241-2060

PomonaACCESS 90233 (800) 444-6785 or (425) 446-6010  
More drawings available at [www.pomonaelectronics.com](http://www.pomonaelectronics.com)

# Mouser Electronics

Authorized Distributor

Click to View Pricing, Inventory, Delivery & Lifecycle Information:

[Pomona:](#)

[4160](#)