

PLEASE CHECK WWW.MOLEX.COM FOR LATEST PART INFORMATION

Part Number: [0438796012](#)
Status: **Active**
Overview: [Mini-Fit CPI™](#)
Description: 4.20mm (.165") Pitch Mini-Fit CPI™ Header, Compliant Pin Interface, Dual Row, Vertical, 18 Circuits, MakeFirst/Break Last, 0.76µm (30µ") Gold (Au) Selective Contact Plating, Tin (Sn) PressFit Tail Plating

Documents:

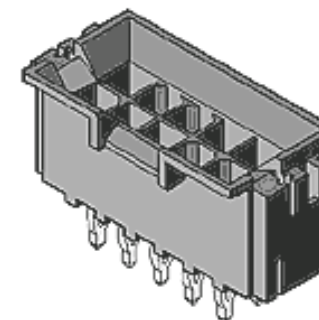
[3D Model](#) [Product Specification PS-43879-001 \(PDF\)](#)
[Drawing \(PDF\)](#) [RoHS Certificate of Compliance \(PDF\)](#)
[Packaging Specification \(PDF\)](#)

General

Product Family	PCB Headers
Series	43879
Application	Board-to-Board
Application	Wire-to-Board
Application Tooling Part Link	622009400
Comments	Square Pin Compliant Pin
Overview	Mini-Fit CPI™
Product Name	Mini-Fit CPI™

Physical

Breakaway	No
Circuits (Loaded)	18
Circuits (maximum)	18
Color - Resin	Black
Durability (mating cycles max)	30
First Mate / Last Break	Yes
Glow-Wire Compliant	No
Guide to Mating Part	No
Keying to Mating Part	None
Lock to Mating Part	Yes
Material - Metal	Brass
Material - Metal	Phosphor Bronze
Material - Plating Mating	Gold
Material - Plating Termination	Tin
Material - Resin	High Temperature Thermoplastic
Number of Rows	2
Orientation	Vertical
PC Tail Length (in)	0.250 In
PC Tail Length (mm)	6.35 mm
PCB Locator	No
PCB Retention	Yes
PCB Thickness Recommended (in)	0.088 In
PCB Thickness Recommended (mm)	2.24 mm
Packaging Type	Tray
Pitch - Mating Interface (in)	0.165 In
Pitch - Mating Interface (mm)	4.20 mm
Pitch - Term. Interface (in)	0.165 In
Pitch - Term. Interface (mm)	4.20 mm
Polarized to Mating Part	Yes
Polarized to PCB	No
Shrouded	Fully
Stackable	No
Surface Mount Compatible (SMC)	No
Temperature Range - Operating	-40°C to +105°C



Series image - Reference only

EU RoHS

ELV and RoHS Compliant
REACH SVHC
 Not Reviewed
Halogen-Free Status

China RoHS



Not Halogen-Free

Need more information on product environmental compliance?

Email productcompliance@molex.com
 Please visit the [Contact Us](#) section for any non-product compliance questions.

Search Parts in this Series

[43879 Series](#)

Mates With

[5557](#) Mini-Fit Jr.™ Receptacle Housing.
[42385](#) Mini-Fit BMI™ Receptacle Header.
 Mini-Fit BMI™ Receptacle Housing [42474](#) ,
[44516](#)

Application Tooling | FAQ

Tooling specifications and manuals are found by selecting the products below. Crimp Height Specifications are then contained in the Application Tooling Specification document.

Global

Description	Product #
Flat Rock Tool for Mini-Fit CPI™ Header	0622009400

Termination Interface: Style

Through Hole - Compliant Pin

Electrical

Current - Maximum

6A

Voltage - Maximum

600V AC (RMS)/DC

Material Info

Reference - Drawing Numbers

Product Specification

PS-43879-001

Sales Drawing

SD-43879-061

This document was generated on 12/08/2009

PLEASE CHECK WWW.MOLEX.COM FOR LATEST PART INFORMATION