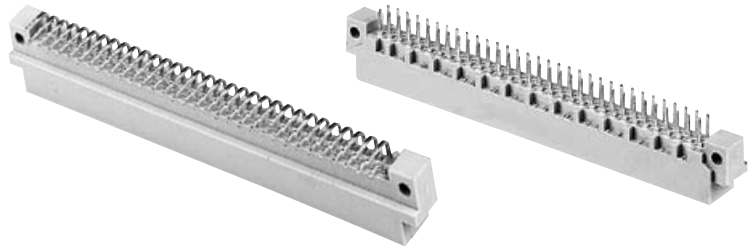


Number of contacts

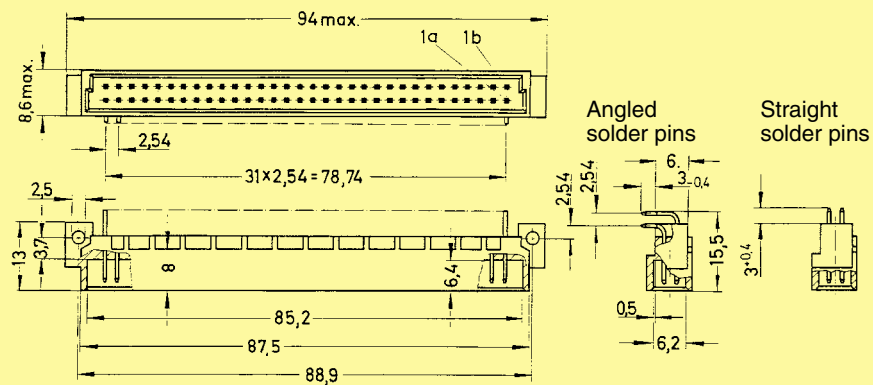
# 64, 32



## Male connectors

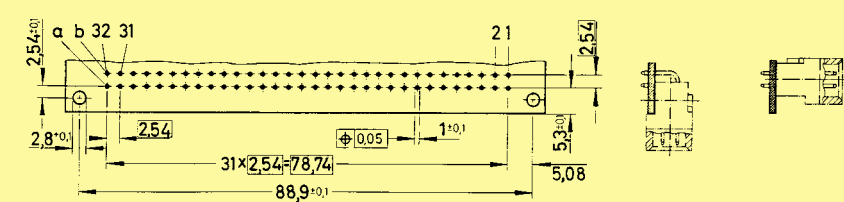
Identification	Number of contacts	Contact arrangement	Part No.	Performance levels according to IEC 60603-2. Explanation chapter 00		
				3	2	1
Male connector with angled solder pins	64		09 02 164 7921	09 02 164 6921 09 02 364 6921 <sup>b)</sup> 09 02 664 6921 <sup>c)</sup>	09 02 164 2921	
	32		09 02 132 7921	09 02 132 6921 09 02 632 6921 <sup>c)</sup>	09 02 132 2921	
	32		09 02 132 7931	09 02 132 6931 09 02 332 6931 <sup>b)</sup>	09 02 132 2931	
	62 + 2 <sup>▲</sup>			09 02 164 6951		
Male connector with straight solder pins	64		09 02 164 7922	09 02 164 6922	09 02 164 2922	
	32		09 02 132 7922	09 02 132 6922		
	32			09 02 132 6932		
	62 + 2 <sup>▲</sup>			09 02 164 6952	09 02 164 2952	

## Dimensions



## Board drillings

Mounting side



Dimensions in mm

▲ Male connectors with 2 leading contacts [(0.8 mm) pos. a1 and a32]. Lagging pins row b on request.  
 Other contact arrangements on request  
 b) Connectors with snap-in clips see chapter 00  
 c) Connectors with coding see page 01.44

DIN Signal to 2 A