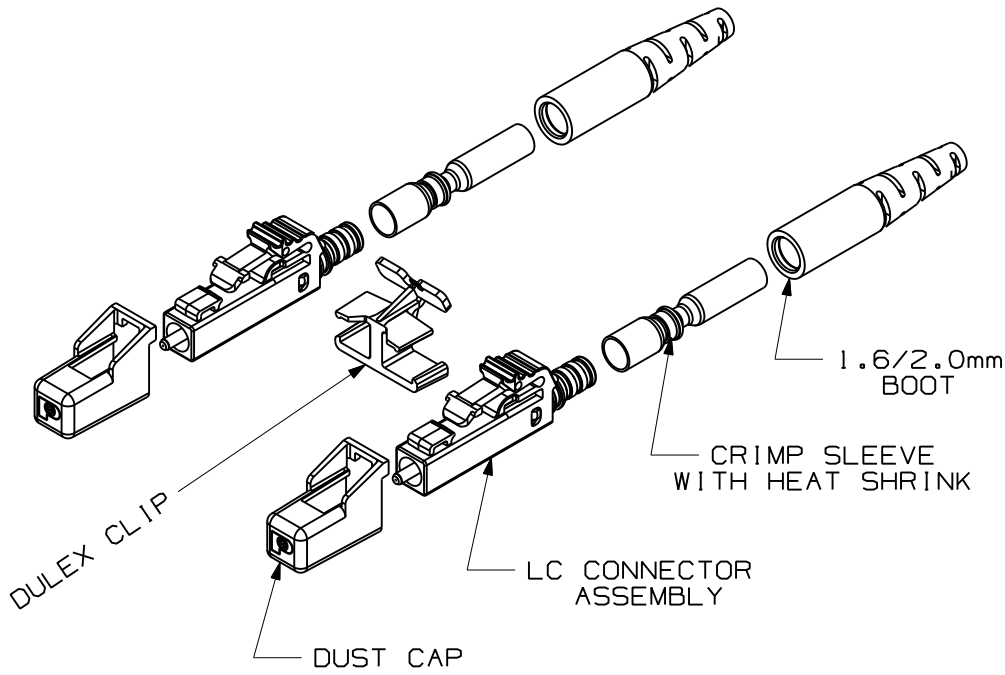


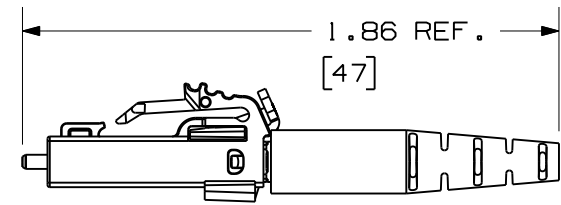
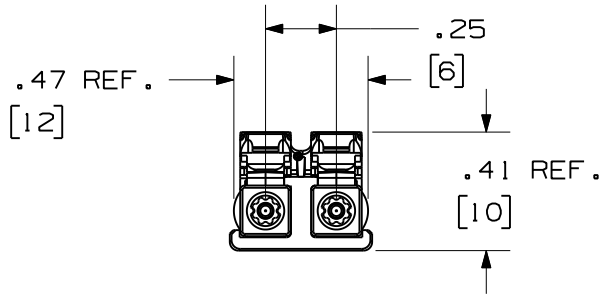
THIS COPY IS PROVIDED ON A RESTRICTED BASIS AND IS NOT TO BE USED IN ANY WAY DETRIMENTAL TO THE INTERESTS OF PANDUIT CORP.



PANDUIT PART NUMBER	TYPE	FOR USE WITH
FLCDSBUY	SINGLEMODE	9/125um FIBER
FLCDMBLY	MULTIMODE	50/125um FIBER
FLCDMEIY	MULTIMODE	62.5/125um FIBER


NOTES:

1. SEE CATALOG FOR ADDITIONAL PART NUMBER SUFFIXES TO INDICATE COLOR AND/OR PACKAGE QUANTITY.
2. ACCEPTS 1.6/2.0mm, 9/125um SINGLEMODE, 50/125um MULTIMODE OR 62.5/125um MULTIMODE GLASS OPTICAL FIBER.
3. FULLY COMPLIES WITH THE FIBER OPTIC CONNECTOR PERFORMANCE REQUIREMENTS AS SPECIFIED BY TIA/EIA-568-B.3.
4. MATERIAL:  
 BODY/HARDWARE: PLASTIC  
 BOOT: THERMOPLASTIC RUBBER  
 FERRULE: ZIRCONIA CERAMIC
5. DIMENSIONS IN BRACKETS ARE METRIC [mm].
6. WEIGHT PER 10 PIECES, .069 lb [16.7g]



REV	DATE	BY	CHK	DESCRIPTION	ECN	R	CUST	SUP	OTH
1	04-15-10	MC		RELEASED TO PRODUCTION	01371-48				

FIBER OPTIC SINGLEMODE/MULTIMODE  
 DUPLEX LC CONNECTOR  
 CUSTOMER DRAWING



**PANDUIT**™  
 CORP.  
 TINLEY PARK, ILL 60477

ALL DIMENSIONS ARE GIVEN IN INCHES  
 UNLESS OTHERWISE SPECIFIED.

DIMENSIONAL TOLERANCES ARE:  
 (.X) ±.03 | (.XXX) ±.010 | (.3) ±.010  
 (.XX) ±.03 | (.8) ANGLES

DRAWING FILENAME  
**M01371AA\_DC-Y/07A**

SCALE  
**NONE**

PART NO.  
**FLCDSBUY  
 FLCDMBLY/FLCDMEIY**

DRAWING NO.  
**01371-48**

SIZE  
**A**

THIRD ANGLE PROJECTION

DRAWN BY  
**MC**

DATE  
**03-07-07**

CHK'D  
**JDK**

REVIEW DRAWING NUMBERS