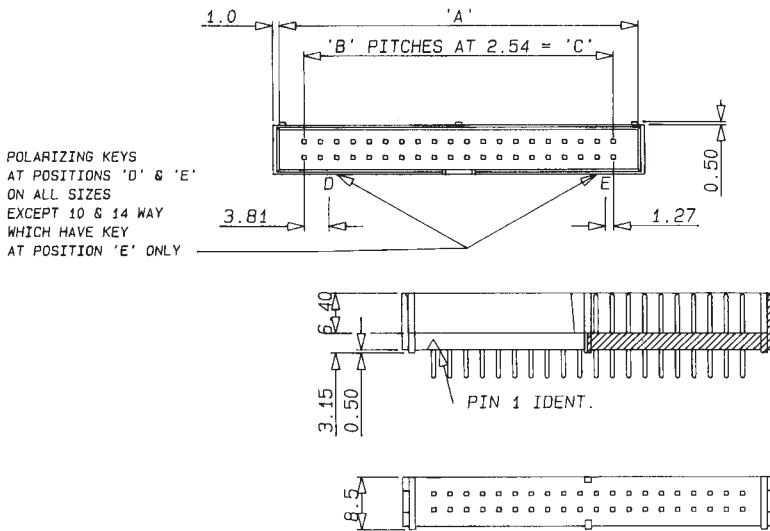


# IDC (Insulation Displacement Connectors)

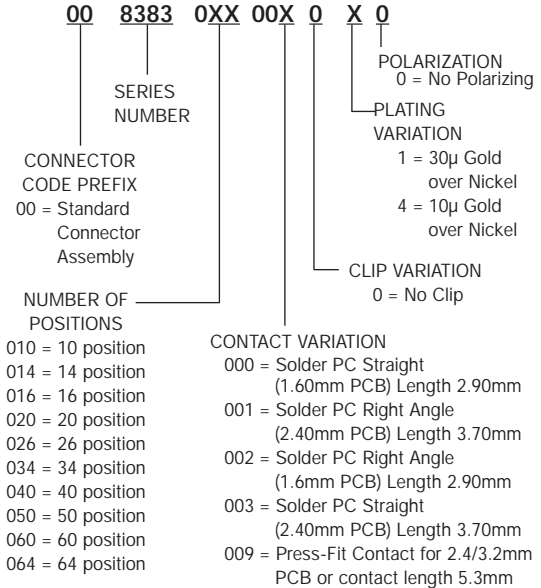
## Series 8383 – Surface Mount Box Header



### Dimensions: millimeters (inches)

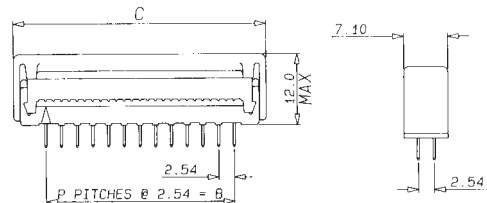
No. of Positions	A	B	C
10	17.90 (0.705)	4	10.16 (0.400)
14	22.98 (0.905)	6	15.24 (0.600)
16	25.52 (1.000)	7	17.78 (0.700)
20	30.60 (1.200)	9	22.86 (0.900)
26	38.22 (1.500)	12	30.48 (1.200)
34	48.38 (1.900)	16	40.64 (1.600)
40	56.00 (2.200)	19	48.26 (1.900)
50	68.70 (2.700)	24	60.96 (2.400)
60	81.40 (3.200)	29	73.66 (2.900)
64	86.48 (3.200)	31	78.74 (3.100)

### ORDERING CODE

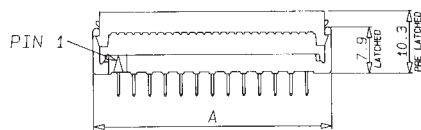


## Series 8399 – Dual-in-Line Transition Connector

### With Strain Relief



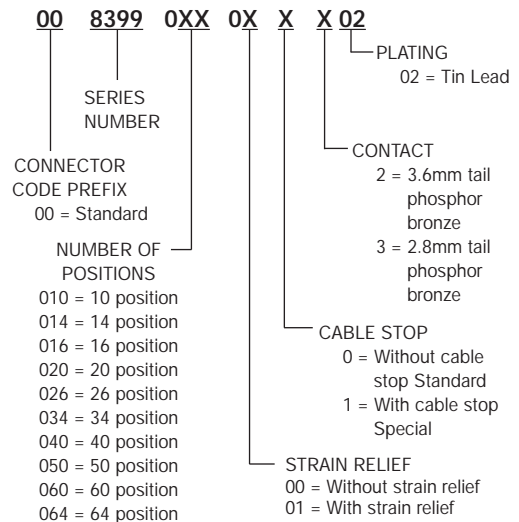
### Without Strain Relief



### Dimensions: millimeters (inches)

No. of Positions	A	B	P	C
010	18.45 (0.726)	10.16 (.400)	4	20.27 (0.798)
014	23.53 (0.926)	15.24 (.600)	6	25.65 (1.01)
016	26.07 (1.03)	17.78 (.700)	7	28.19 (1.11)
020	31.15 (1.23)	22.86 (.900)	9	33.27 (1.31)
026	38.77 (1.53)	30.48 (1.20)	12	40.89 (1.61)
034	48.93 (1.93)	40.64 (1.60)	16	51.05 (2.01)
040	56.55 (2.23)	48.26 (1.90)	19	58.67 (2.31)
050	69.25 (2.73)	60.96 (2.40)	24	71.37 (2.81)
060	81.95 (3.23)	73.66 (2.90)	39	84.07 (3.31)
064	87.03 (3.42)	78.74 (3.10)	31	89.15 (3.51)

### ORDERING CODE



Additional information on this product is available from AVX's catalog or AVX's FAX Service. Call 1-800-879-1613 and request document #308. Visit our website <http://www.avxcorp.com>