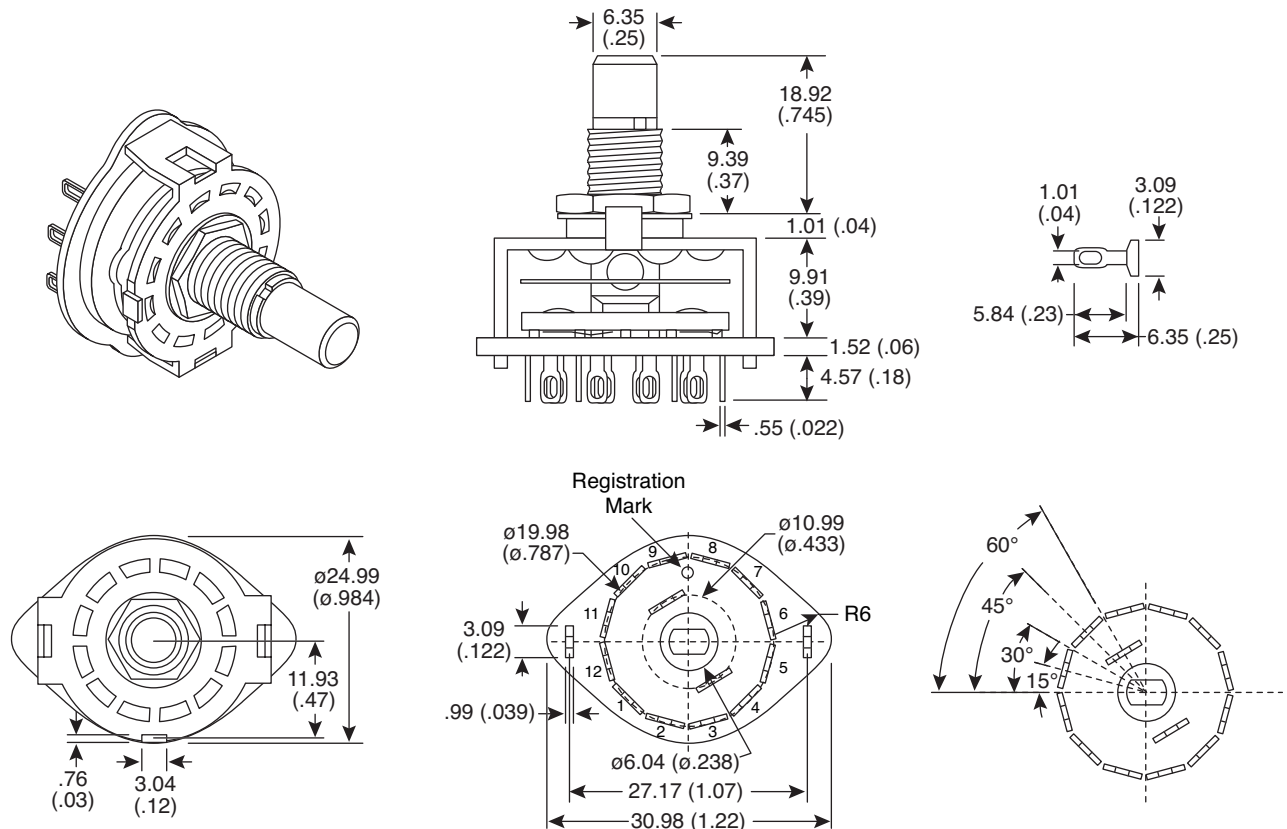




Rotary Switches

SR2511F-0205-19R0B-E9-N-W, SR2511F-0206-19R0B-E9-N-W,
SR2511F-0304-19R0B-E9-N-W, SR2511F-0403-19R0B-E9-N-W,
SR2511F-0602-19R0B-E9-N-W, SR2511F-0112-19R0B-E9-N-W

Dimensions: mm (In)



Electrical Specifications:

- Rating: 0.3A/125VAC
- Contact resistance: 30mΩ max. 1A
- Insulation resistance: 10MΩ @ 500VDC min.
- Dielectric strength: 500VAC for 1 minute

Mechanical Specifications:

- Type: non-shorting contact (break before make)
- Rotation torque: 1~3KG/cm

Materials:

- Hardware included: 1 hexagon nut & 2 washers
- Shaft: 1/4"

Alpha Part No.

Alpha Part No.	Poles	Position
SR2511F-0205-19R0B-E9-N-W	2	5
SR2511F-0206-19R0B-E9-N-W	2	6
SR2511F-0304-19R0B-E9-N-W	3	4
SR2511F-0403-19R0B-E9-N-W	4	3
SR2511F-0602-19R0B-E9-N-W	6	2
SR2511F-0112-19R0B-E9-N-W	1	12

Note:

- RoHS Compliant

Mouser Electronics

Authorized Distributor

Click to View Pricing, Inventory, Delivery & Lifecycle Information:

[Alpha \(Taiwan\):](#)

[SR2511F-0205-19R0B-E9-N-W](#) [SR2511F-0602-19R0B-E9-N-W](#) [SR2511F-0304-19R0B-E9-N-W](#) [SR2511F-0403-19R0B-E9-N-W](#) [SR2511F-0112-19R0B-E9-N-W](#) [SR2511F-0206-19R0B-E9-N-W](#)