



Heyco® Nylon PCB Supports

Tension Barb Style

- Provide spacing between the printed circuit board and the panel or between circuit boards.
- Wide, ribbed wings produce a secure fit with extra stability.
- Multiple spacing heights from .187” (4,7 mm) to .750” (19,0 mm).
- Two Styles:
 - 1) Panel barb end, plus tension barb end for PCB.
 - 2) Panel barb end, plus locking barb end for PCB.

PANEL DIMENSIONS				PCB DIMENSIONS				PART NO.	DESCRIPTION	PART DIMENSIONS					
Maximum Thickness		Mounting Hole Diameter		Maximum Thickness		Mounting Hole Diameter				A Spacing		B Head Length		C* Foot Length	
in.	mm.	in.	mm.	in.	mm.	in.	mm.	Natural		in.	mm.	in.	mm.	in.	mm.
.070	1,8	.187	4,7	.062	1,6	.156	4,0	3640	SS T 3/16	.187	4,8				
								3641	SS T 1/4	.250	6,4				
								3642	SS T 3/8	.375	9,5				
								3643	SS T 7/16	.437	11,1	.400	10,2	.200	5,1
								3644	SS T 1/2	.500	12,7				
								3645	SS T 5/8	.625	15,9				
								3646	SS T 3/4	.750	19,0				

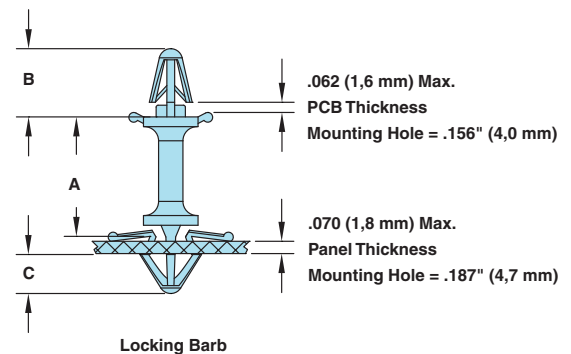
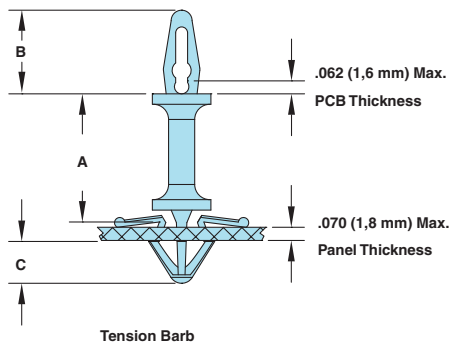
Standard color natural.
*Extension beyond .070” (1,8 mm) thick panel.

Locking Barb Style



PANEL DIMENSIONS				PCB DIMENSIONS				PART NO.	DESCRIPTION	PART DIMENSIONS					
Maximum Thickness		Mounting Hole Diameter		Maximum Thickness		Mounting Hole Diameter				A Spacing		B Head Length		C* Foot Length	
in.	mm.	in.	mm.	in.	mm.	in.	mm.	Natural		in.	mm.	in.	mm.	in.	mm.
.070	1,8	.187	4,7	.062	1,6	.156	4,0	3670	SS L 3/16	.187	4,8				
								3671	SS L 1/4	.250	6,4				
								3672	SS L 3/8	.375	9,5				
								3673	SS L 7/16	.437	11,1	.350	8,9	.200	5,1
								3674	SS L 1/2	.500	12,7				
								3675	SS L 5/8	.625	15,9				
								3676	SS L 3/4	.750	19,0				

Standard color natural.
*Extension beyond .070” (1,8 mm) thick panel.



Quick Specs

Material Certifications

Flammability Rating
Temperature Rating

Nylon 6/6
Recognized under the Component Program of Underwriters' Laboratories File E197049

94V-2
185°F (85°C)

Mouser Electronics

Authorized Distributor

Click to View Pricing, Inventory, Delivery & Lifecycle Information:

[Heyco:](#)

[3674](#) [3670](#)