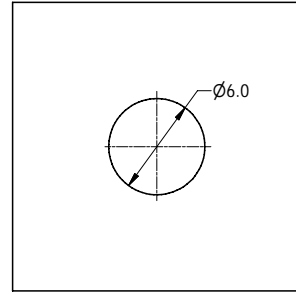
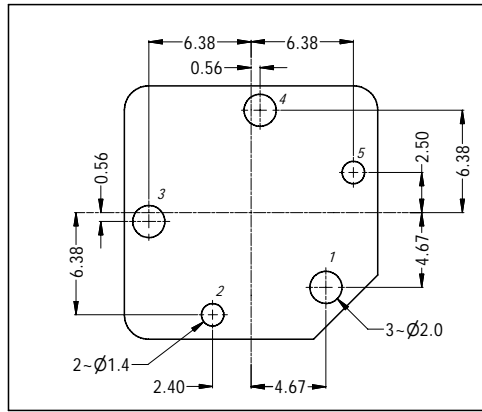
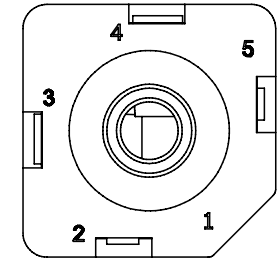
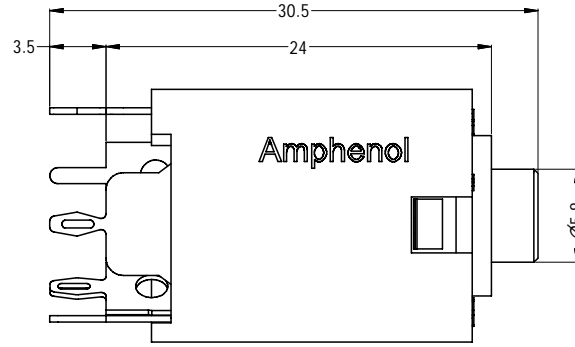
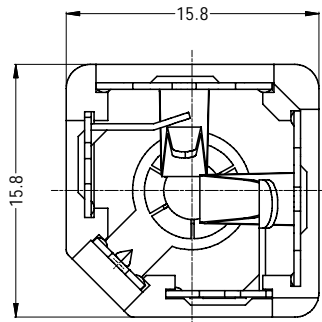


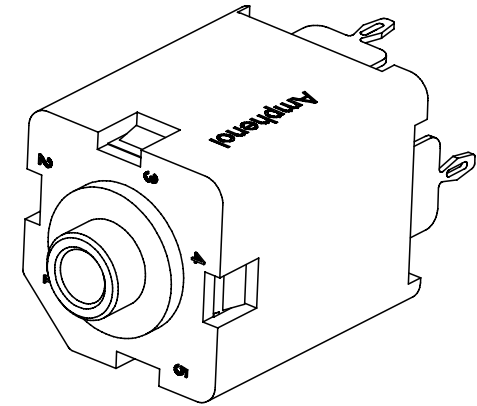
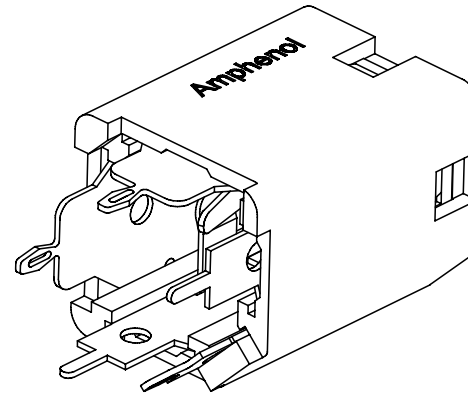
LEGEND  $\diamond$  = KEY PRODUCT CHARACTERISTICS



REVISION HISTORY				
REV	DESCRIPTION	DATE	BY	CHG/No
0	FIRST ISSUE	30/10/08	M.H	8798



PANEL CUTOUT



**PCB LAYOUT**  
(CONNECTOR SIDE)

PART NUMBER	ACJM-NV35-2	ACJM-NV35-2S	ACJS-NV35-3	ACJS-NV35-3S	ACJS-NV35-5
SCHEMATIC					

UNLESS OTHERWISE SPECIFIED TOLERANCE TO BE:		THIS DOCUMENT IS THE PROPERTY OF AMPHENOL AUSTRALIA PTY. LTD. NO PART THEREOF MAY BE REPRODUCED AND USED WITHOUT THE PRIOR WRITTEN CONSENT OF THE OWNER				<b>Amphenol</b> Amphenol Australia Pty. Ltd, 2 Fiveways Blvd, Keysborough, VIC 3173	
LINEAR	ANGULAR	MATERIAL: REFER TO COMPONENTS	DRN: B.Z	DATE: 25/04/08	TITLE: 3.5mm JACK VERTICAL CUSTOMER DRAWING		PART No: SEE CHART
X ±0.5	X° ±1	BREAK ALL SHARP EDGES AND REMOVE ALL BURRS	CKD: M.H	DATE: 29/10/08	DRAWING No. 55010544-000-5		SHEET 1/5
XX ±0.1	XX° ±30	DO NOT SCALE	APP'D: P.M	DATE: 29/10/08	CAD FILE: 55010544000110		
XXX ±0.05	XXX° ±15	FINISH: REFER TO COMPONENTS	SCALE: 3:1	SIZE: A3			
DIMENSIONS IN MILLIMETRES		THIRD ANGLE PROJECTION					

# Mouser Electronics

Authorized Distributor

Click to View Pricing, Inventory, Delivery & Lifecycle Information:

[Amphenol:](#)

[ACJM-NV35-2](#) [ACJM-NV35-2S](#)