

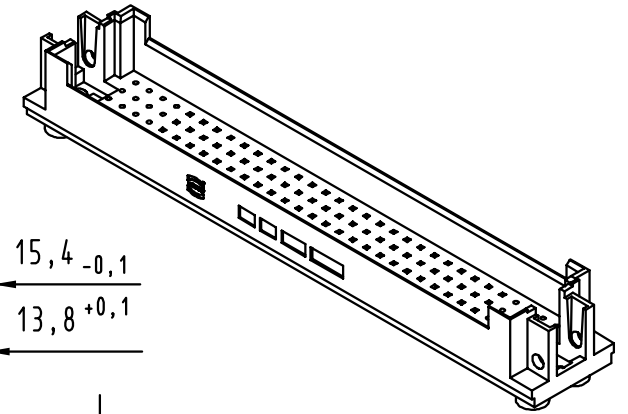
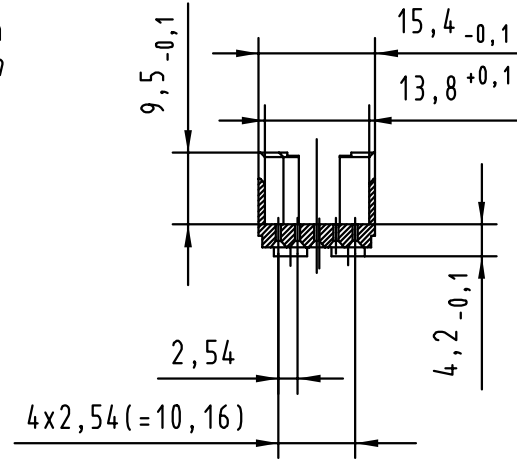
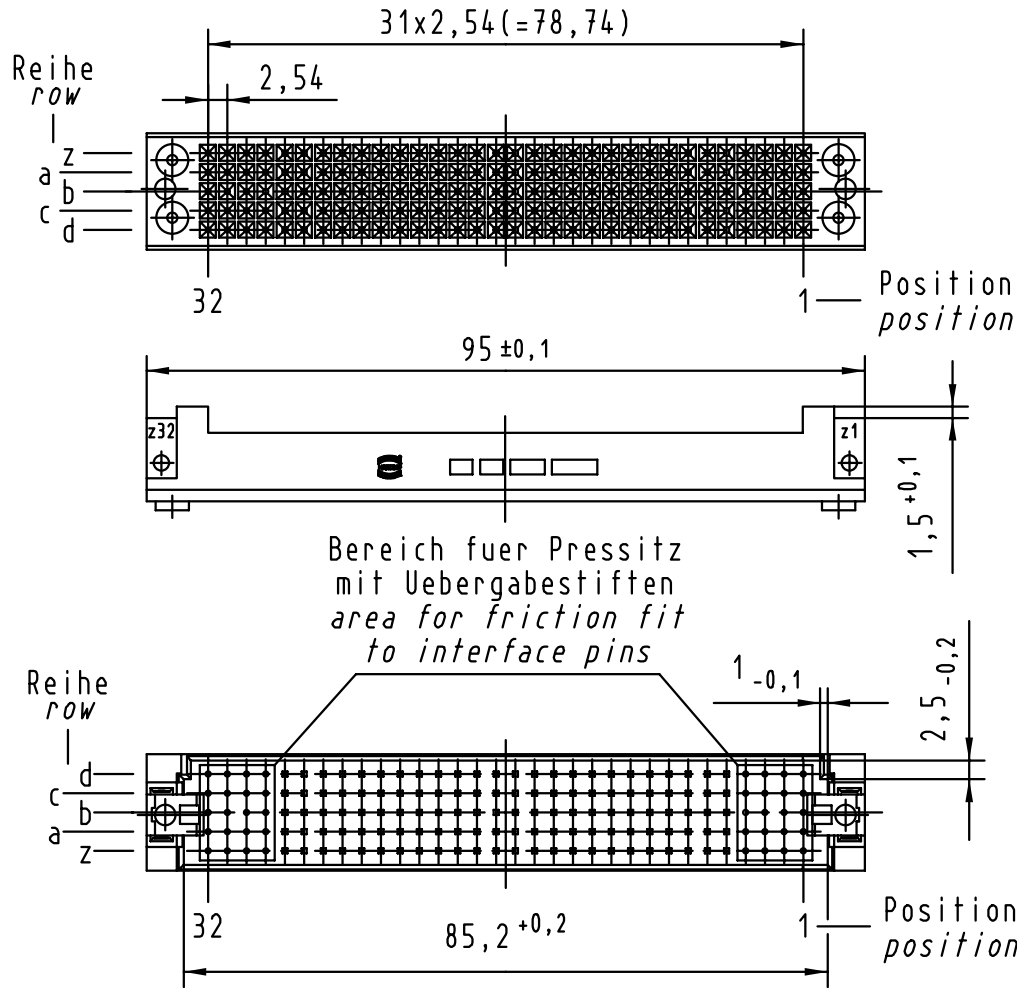
5

4

3

2

1



All Dimensions in mm Original Size DIN A 4		Techn. Character. IEC 61076-4-113		Nicht tolerierte Maßel Free size tolerances	
		Detail. 07.07.97 HL.	Maßstab/Scale 1:1	har-bus 64 Uebergaberahmen fuer LP-Dicke 5,2±0.3 har-bus 64 rear-shroud for PCB-thickness 5,2±0.3	
		Insp. 07.07.97 kfoe			
		Stand.			
27503	16.12.99	Th	HARTING KGaA D-32339 ESPELKAMP		TB 02 44 000 0004 Sub.
20721					
Mod.	Dat.	Name			Blatt/ page

D

C

B

A

02 44 000 0004

Pin shroud

Other applications

Type	har-bus 64
Pcb thickness	5.2 mm
Wrap post length	17,0 mm



Data sheets are available in following formats

2D files

Typenblatt

Typenblatt