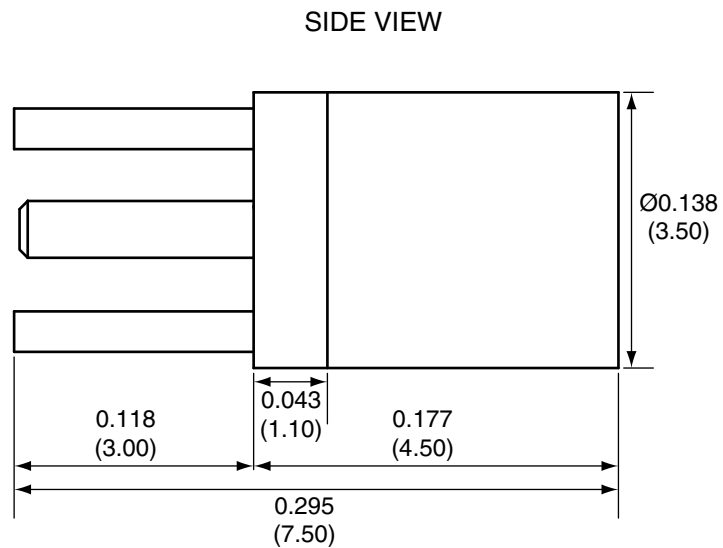
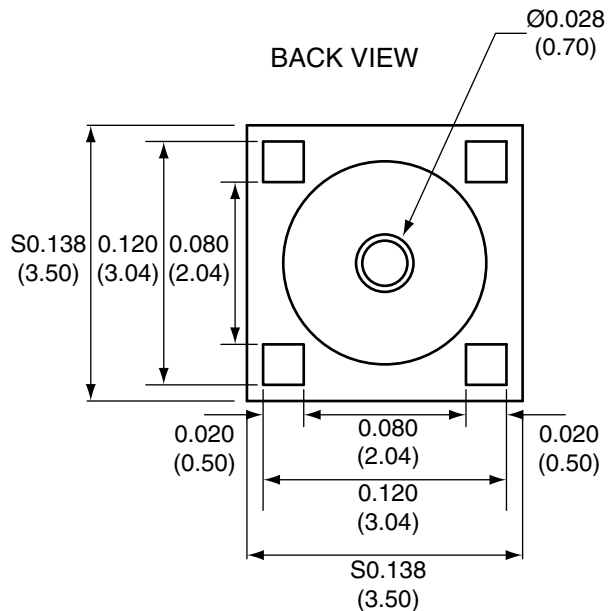
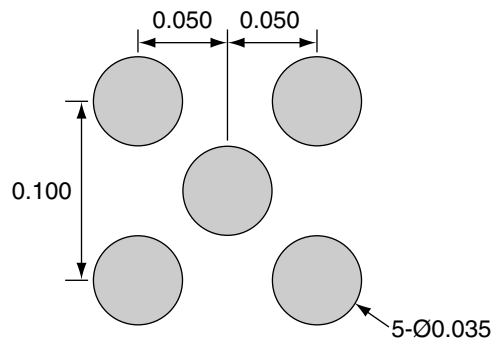


1		
Description	Material	Finish
Body	Brass	Gold
Socket	BE CU	Gold
Insulation	Teflon	Teflon



RECOMMENDED FOOTPRINT



Title		CONMMCX001		Revision: 1.0		CONNECTOR CITY 159 ORT LANE MERLIN, OR 97532 PH (541)-471-6256 FAX (541)-471-6251	
Part No.		CONMMCX001		Date:		6/9/2006	
Dimensions:		INCHES (mm)		Sheet 1 of 1			

**CONNECTOR CITY**  
THE VALUE OF CONNECTIONS