



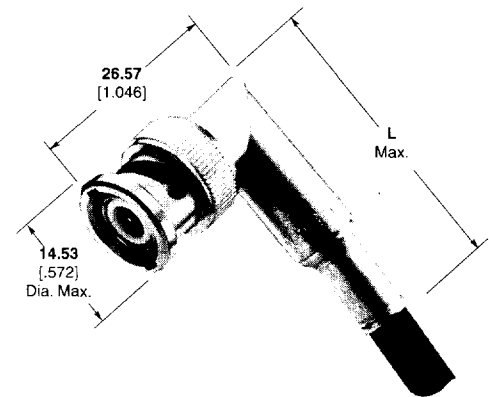
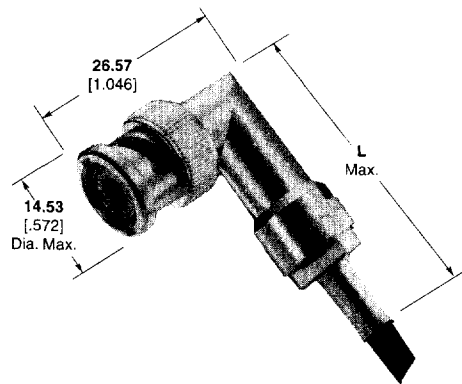
RF Coax Connectors (Continued)

BNC Connectors, 50 Ohm for T3/E3 Applications (Continued)

Right Angle Plugs, Crimp

Single Crimp

Dual Crimp



Connector Cable Range Selection Code	RG/U Cable	Termination Type	Center Contact Plating	Body Plating	Dielectric	Style	M39012/Military No. and/or Comments	Part No.	Dim. L	CERTI-CRIMP Hand Tool with Integral Die	Interchangeable Dies for PRO-CRIMPER Hand Tool 354940-1 or PRO-CRIMPER Adapter 679304-1	Interchangeable Dies for Hand Tool 69710-1 & 626 Pneu. Head 318161-1
B	174, 188, 188A, 316	Hex Crimp	Gold	Nickel	Polymethyl-pentene	Commercial	---	413959-3	39.45 1.553	---	58436-3	---
		Single Crimp	Gold	Silver	TEFLON	Mil Type	---	331178	44.45 1.750	69245-1	---	69422
B1	179, 179A, 179B, 161, 187, 187A, Belden 9221	Hex Crimp	Gold	Nickel	Polymethyl-pentene	Commercial	---	413959-4	39.45 1.553	---	58436-3	---
		Single Crimp	Gold	Silver	TEFLON	Mil Type	---	331179	44.45 1.750	69245-1	---	69408
B3	RD 316, 188	Dual Crimp	Gold	Nickel	TEFLON	Mil Type	---	1-225974-1	37.29 1.468	220009-1	---	220026-1
C1	180, 180A, 180B, 195, 195A	Hex Crimp	Gold	Nickel	Polymethyl-pentene	Commercial	---	413959-5	39.45 1.553	---	58436-3	---
C2	Belden 9907, 89907, 8219, Commy/Scope 2104, 3104	Hex Crimp	Gold	Nickel	Polymethyl-pentene	Commercial	---	413959-6	39.45 1.553	---	58433-2 ¹ , 58436-1 ¹	---
		Hex Crimp	Gold	Nickel	Polymethyl-pentene	Commercial	---	413959-1	39.45 1.553	---	58436-1	---
D	58, 58A, 58B, 58C	Dual Crimp	Gold	Silver	TEFLON	Mil Type	---	225973-1	37.29 1.468	69478-1	220189-3	69726 or 69727
		Dual Crimp	Gold	Nickel	TEFLON	Mil Type	---	225974-1	37.29 1.468	69478-1	220189-3	69726 or 69727
		Single Crimp	Gold	Silver	TEFLON	Mil Type	---	331175	44.45 1.750	69140-1	---	69223-1
E	55, 55A, 55B, 223	Dual Crimp	Gold	Nickel	TEFLON	Mil Type	---	225974-2	37.29 1.468	69478-1	220189-3	69727
		Single Crimp	Gold	Silver	TEFLON	Mil Type	---	331182	44.45 1.750	69140-2 or 69331-1	---	69424-1 or 69429-1
E1	142, 142A, 142B, 400	Single Crimp	Gold	Silver	TEFLON	Mil Type	---	331182	44.45 1.750	69140-2 or 69331-1	---	69424-1 or 69429-1
		Dual Crimp	Gold	Silver	TEFLON	Mil Type	---	225973-4	37.29 1.468	69478-1	220189-3	69726-1 or 69727
G	124, 140, 210, 62, 62A, 62B, 59, 59A, 59B, Belden 9291, 9209, 9269	Hex Crimp	Gold	Nickel	Polymethyl-pentene	Commercial	---	413959-2	39.45 1.553	---	58433-2 ¹ , 58436-1 ¹	---
		Dual Crimp	Gold	Nickel	TEFLON	Mil Type	---	225974-5	37.29 1.468	69477-1	58537-1	69669-1
		Single Crimp	Gold	Silver	TEFLON	Mil Type	---	331176	44.45 1.750	69141-1	---	69224-1
K2	Belden 8281, 9141, 9231, Western Electric 724, 728, 3049	Single Crimp	Gold	Silver	TEFLON	Mil Type	---	50635	44.45 1.750	69652	---	220000

¹Die Set Only.
²Hand Tool with Die Set.