

DESCRIPTION

The AMC1117 series of positive adjustable and fixed regulators is designed to provide 1A for applications requiring high efficiency. All internal circuitry is designed to operated down to 800mV input to output differential and the dropout voltage is fully specified as a function of load current.

The AMC1117 offers current limiting and thermal protection. The on chip trimming adjusts the reference voltage accuracy to 1%.

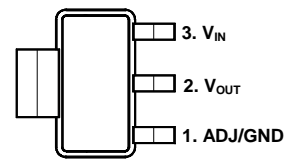
FEATURES

- Output current of 1A typical
- Three-terminal adjustable or fixed 1.5V, 1.8V, 2.5V, 3.3V, 5.0V outputs
- Low dropout of typical 800mV
- Thermal protection built in
- Typical 0.015% line regulation
- Typical 0.01% load regulation
- Fast transient response
- Available in SOT-223 and TO-252 packages
- Pin assignment identical to earlier LT1117 series.

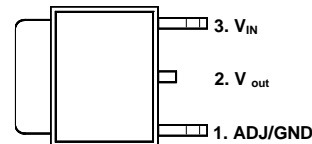
APPLICATIONS

- 2.85V Model for SCSI-2 Active Termination
- Battery Charger
- High Efficiency Linear Regulators
- Battery Powered Instrumentation
- Post Regulator for Switching DC/DC Converter

PACKAGE PIN OUT



3-Pin Plastic SOT-223
Surface Mount
(Top View)



3-Pin Plastic TO-252
Surface Mount
(Top View)

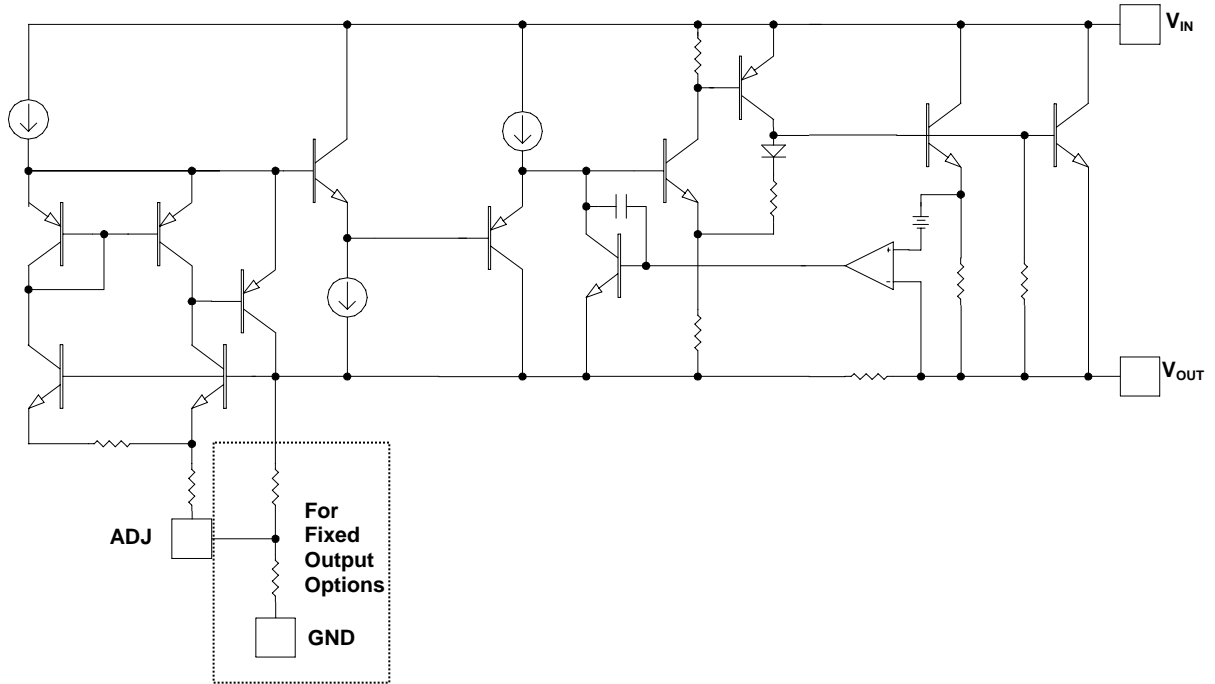
VOLTAGE OPTIONS

| | |
|-------------|---------------------|
| AMC1117-1.5 | – 1.5V Fixed |
| AMC1117-1.8 | – 1.8V Fixed |
| AMC1117-2.5 | – 2.5V Fixed |
| AMC1117-3.3 | – 3.3V Fixed |
| AMC1117-5.0 | – 5.0V Fixed |
| AMC1117 | – Adjustable Output |

ORDER INFORMATION

| T _A (°C) | SK | SOT-223 | SJ | TO-252 |
|---|-----------|-----------------------------------|-----------|-----------------------------------|
| | | 3-pin | | 3-pin |
| 0 to 70 | | AMC1117-X.XSKF (Lead Free) | | AMC1117-X.XSJF (Lead Free) |
| | | AMC1117SKF (Lead Free) | | AMC1117SJF (Lead Free) |
| Note: 1.All surface-mount packages are available in Tape & Reel. Append the letter "T" to part number (i.e. AMC1117-X.XSJT). 2.The letter "F" is marked for Lead Free process. | | | | |

BLOCK DIAGRAM



ABSOLUTE MAXIMUM RATINGS (Note1)

| | |
|---|----------------|
| Input Voltage | 7V |
| Operating Junction Temperature Range, T_J | 0°C to 150°C |
| Storage Temperature Range | -65°C to 150°C |
| Lead Temperature (soldering, 10 seconds) | 260°C |

Note 1: Exceeding these ratings could cause damage to the device. All voltages are with respect to Ground. Currents are positive into, negative out of the specified terminal.

POWER DISSIPATION TABLE

| Package | θ_{JA} (°C/W) | Derating factor (mW/°C) $T_A \geq 25^\circ\text{C}$ | $T_A \leq 25^\circ\text{C}$ | $T_A = 70^\circ\text{C}$ | $T_A = 85^\circ\text{C}$ |
|---------|-------------------------|--|-----------------------------|--------------------------|--------------------------|
| | | | Power rating(mW) | Power rating(mW) | Power rating (mW) |
| SKF | 136 | 7.35 | 919 | 588 | 478 |
| SJF | 80 | 12.5 | 1562 | 1000 | 812 |

Note :

- θ_{JA} : Thermal Resistance-Junction to Ambient, D_F : Derating factor, P_o : Power consumption.
Junction Temperature Calculation: $T_J = T_A + (P_o \times \theta_{JA})$, $P_o = D_F \times (T_J - T_A)$
The θ_{JA} numbers are guidelines for the thermal performance of the device/PC-board system.
All of the above assume no ambient airflow.
- θ_{JT} : Thermal Resistance-Junction to Tab, T_C : case(Tab) temperature, $T_J = T_C + (P_o \times \theta_{JT})$
For SK package, $\theta_{JT} = 15.0^\circ\text{C/W}$.
For SJ package, $\theta_{JT} = 7.0^\circ\text{C/W}$.

RECOMMENDED OPERATING CONDITIONS

| Parameter | Symbol | Recommended Operating Conditions | | | Units |
|--|----------|----------------------------------|------|------|---------------|
| | | Min. | Typ. | Max. | |
| Input Voltage | V_{IN} | 2.7 | | 7 | V |
| Load Current (with adequate heat sinking) | I_o | 5 | | | mA |
| Input Capacitor (V_{IN} to GND) | | 10 | | | μF |
| Output Capacitor with ESR of 10 Ω max., (V_{OUT} to GND) | | 10 | | | μF |
| Junction temperature | T_J | | | 125 | °C |

ELECTRICAL CHARACTERISTICS

 Unless otherwise specified, $I_O = 10\text{mA}$, and $T_J = 25^\circ\text{C}$.

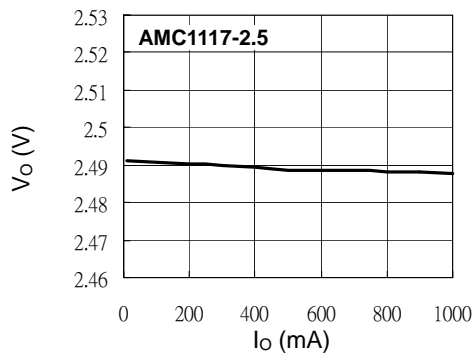
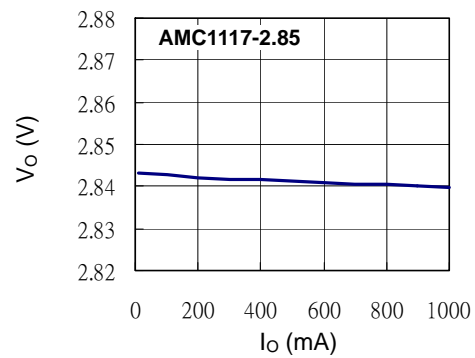
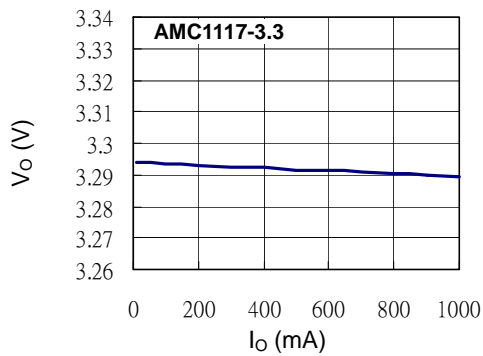
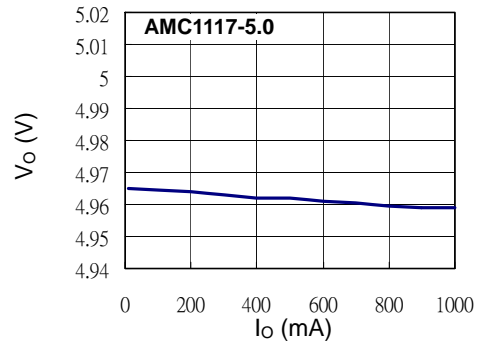
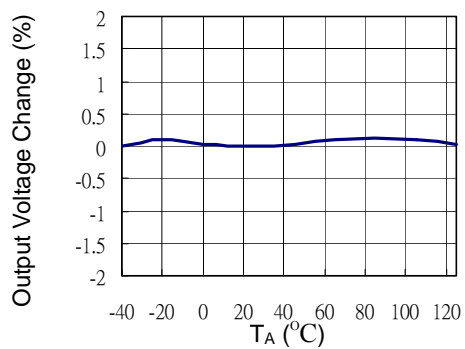
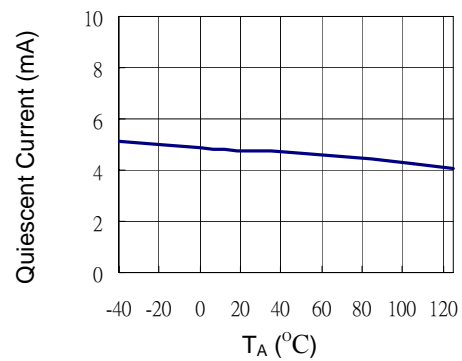
| Parameter | | Symbol | Test Conditions | AMC1117 | | | Units |
|--|---|-----------------|--|---------|-------|-------|---------------|
| | | | | Min | Typ | Max | |
| Reference Voltage | AMC1117 | V_{REF} | $I_O = 10\text{mA}, V_{IN} = 5\text{V}$ | 1.238 | 1.250 | 1.262 | V |
| | | | $10\text{mA} \leq I_O \leq 1\text{A}, 2.65\text{V} \leq V_{IN} \leq 7\text{V}$ | 1.225 | 1.250 | 1.275 | |
| Output Voltage | AMC1117-1.5 | V_{OUT} | $I_O = 10\text{mA}, V_{IN} = 3.0\text{V}$ | 1.485 | 1.500 | 1.515 | V |
| | | | $10\text{mA} \leq I_O \leq 1\text{A}, 3.0\text{V} \leq V_{IN} \leq 7\text{V}$ | 1.470 | 1.500 | 1.530 | |
| | AMC1117-1.8 | | $I_O = 10\text{mA}, V_{IN} = 3.3\text{V}$ | 1.782 | 1.8 | 1.818 | |
| | | | $10\text{mA} \leq I_O \leq 1\text{A}, 3.3\text{V} \leq V_{IN} \leq 7\text{V}$ | 1.764 | 1.8 | 1.836 | |
| | AMC1117-2.5 | | $I_O = 10\text{mA}, V_{IN} = 4.0\text{V}$ | 2.475 | 2.500 | 2.525 | |
| | | | $10\text{mA} \leq I_O \leq 1\text{A}, 4.0\text{V} \leq V_{IN} \leq 7\text{V}$ | 2.450 | 2.500 | 2.550 | |
| | AMC1117-3.3 | | $I_O = 10\text{mA}, V_{IN} = 4.8\text{V}$ | 3.267 | 3.300 | 3.333 | |
| | | | $10\text{mA} \leq I_O \leq 1\text{A}, 4.8\text{V} \leq V_{IN} \leq 7\text{V}$ | 3.235 | 3.300 | 3.365 | |
| AMC1117-5.0 | $I_O = 10\text{mA}, V_{IN} = 6.5\text{V}$ | 4.950 | 5.000 | 5.050 | | | |
| | $10\text{mA} \leq I_O \leq 1\text{A}, 6.5\text{V} \leq V_{IN} \leq 7\text{V}$ | 4.900 | 5.000 | 5.100 | | | |
| Line Regulation | AMC1117 | ΔV_{OI} | $I_O = 10\text{mA}, V_{OUT} + 1.5\text{V} \leq V_{IN} \leq 7\text{V}$ | | 0.04 | 0.20 | % |
| | AMC1117-X.X | | $I_O = 10\text{mA}, V_{OUT} + 1.5\text{V} \leq V_{IN} \leq 7\text{V}$ | | 1.0 | 6.0 | mV |
| Load Regulation | AMC1117 | ΔV_{OL} | $10\text{mA} \leq I_O \leq 1\text{A}, V_{IN} = V_{OUT} + 1.5\text{V}$ | | 0.10 | 0.40 | % |
| | AMC1117-X.X | | $10\text{mA} \leq I_O \leq 1\text{A}, V_{IN} = V_{OUT} + 1.5\text{V}$ | | 1.0 | 10.0 | mV |
| Dropout Voltage | | ΔV | $I_O = 10\text{mA}, V_{IN} \geq 2.65\text{V}$ | | 0.8 | 1.15 | V |
| | | | $I_O = 500\text{mA}, V_{IN} \geq 2.65\text{V}$ | | 0.8 | 1.25 | |
| | | | $I_O = 1\text{A}, V_{IN} \geq 2.65\text{V}$ | | 0.8 | 1.30 | |
| Minimum Load Current ^(Note 1) | | | $V_{IN} \leq 7\text{V}$ | | 2 | 7 | mA |
| Quiescent Current | AMC1117-X.X | I_Q | $V_{IN} \leq 7\text{V}$ | | 6 | 13 | mA |
| Current Limit | | I_{CL} | $V_{IN} - V_{OUT} = 3\text{V}$ | 1 | 1.2 | | A |
| Adjust Pin Current | | | $I_O = 10\text{mA}, V_{IN} - V_{OUT} = 2\text{V}$ | | 50 | 120 | μA |
| Thermal Regulation ^(Note 2) | | | $T_A = 25^\circ\text{C}, 30\text{ ms pulse}$ | | 0.01 | 0.1 | %/W |
| Ripple rejection ^(Note 2) | | R_R | $f_O = 120\text{Hz}, 1V_{RMS}, I_O = 400\text{mA}, V_{IN} - V_{OUT} = 3\text{V}$ | 60 | 75 | | dB |

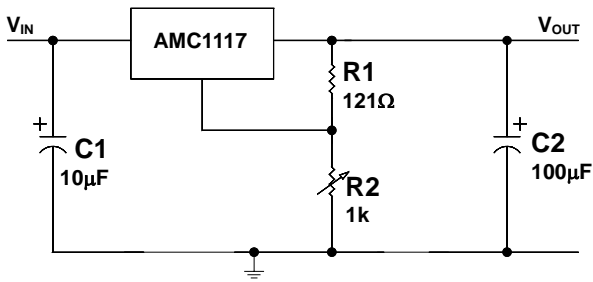
Note 1: For the adjustable device, the minimum load current is the minimum current required to maintain regulation. Normally the current in the resistor divider used to set the output voltage is selected to meet the minimum load current requirement.

Note 2: These parameters, although guaranteed, are not tested in production.

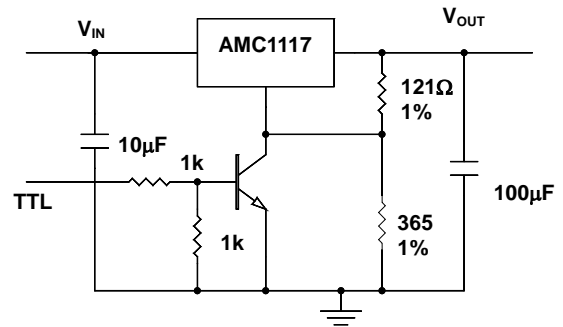
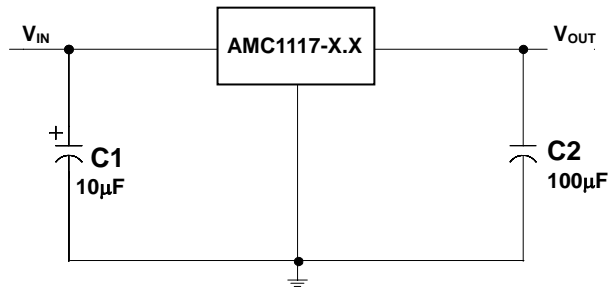
CHARACTERIZATION CURVES

Unless otherwise specified, $V_{IN} = V_{OUT} + 2V$, $C_{IN} = 1\mu F$, $C_{OUT} = 4.7\mu F$, $T_A = 25^\circ C$

Load Regulation

Load Regulation

Load Regulation

Load Regulation

Temperature Stability

Quiescent Current vs. Temperature


APPLICATION INFORMATION

Adjustable Regulator

$$V_{OUT} = 1.25V \left(1 + \frac{R2}{R1} \right)$$


5V Regulator with Shutdown

Fixed Voltage Regulator

Application Note:

Maximum Power Calculation:

$$P_{D(MAX)} = \frac{T_{J(MAX)} - T_{A(MAX)}}{\theta_{JA}}$$

$T_J(^{\circ}C)$: Maximum recommended junction temperature

$T_A(^{\circ}C)$: Ambient temperature of the application

$\theta_{JA}(^{\circ}C/W)$: Junction-to-junction temperature thermal resistance of the package, and other heat dissipating materials.

The maximum power dissipation of a single-output regulator :

$$P_{D(MAX)} = [(V_{IN(MAX)} - V_{OUT(NOM)}) \times I_{OUT(NOM)} + V_{IN(MAX)} \times I_Q]$$

Where: $V_{OUT(NOM)}$ = the nominal output voltage
 $I_{OUT(NOM)}$ = the nominal output current, and
 I_Q = the quiescent current the regulator consumes at $I_{OUT(MAX)}$
 $V_{IN(MAX)}$ = the maximum input voltage
 Then $\theta_{JA} = (150^{\circ}C - T_A) / P_D$

Thermal consideration:

When power consumption is over about 404 mW (for SOT-223 package, 687mW for TO-252 package, at $T_A=70^{\circ}C$), additional heat sink is required to control the junction temperature below $125^{\circ}C$.

The junction temperature is: $T_J = P_D (\theta_{JT} + \theta_{CS} + \theta_{SA}) + T_A$

P_D : Dissipated power.

θ_{JT} : Thermal resistance from the junction to the mounting tab of the package.

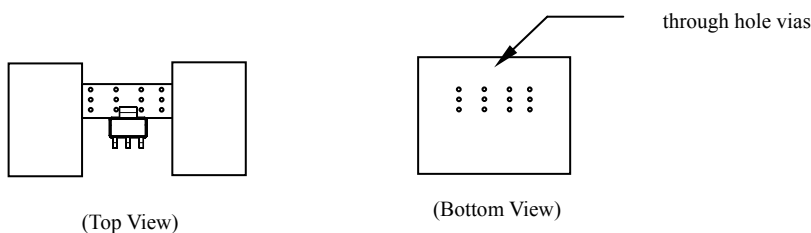
θ_{CS} : Thermal resistance through the interface between the IC and the surface on which it is mounted. (Typically, $\theta_{CS} < 1.0^{\circ}C/W$)

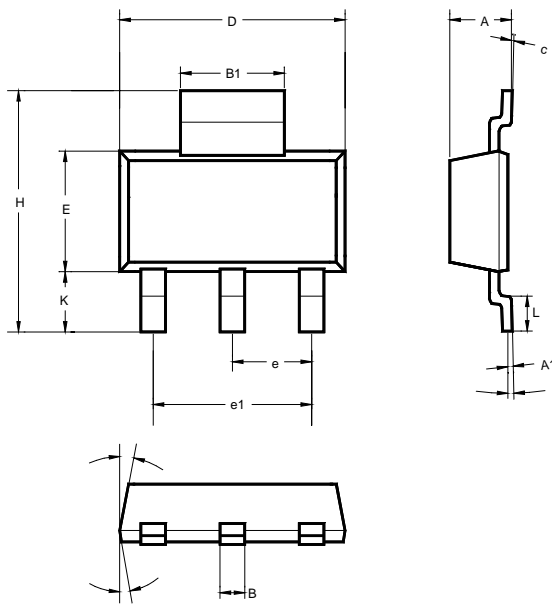
θ_{SA} : Thermal resistance from the mounting surface to ambient (thermal resistance of the heat sink).

If PC Board copper is going to be used as a heat sink, below table can be used to determine the appropriate size of copper foil required. For multi-layered PCB, these layers can also be used as a heat sink. They can be connected with several through hole vias.

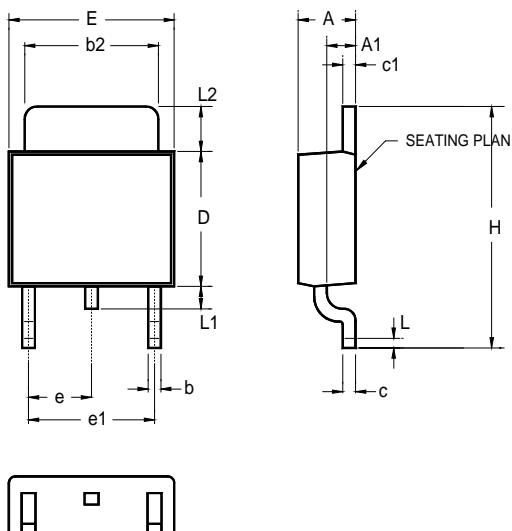
| | | | | | | | |
|---------------------------------------|-----|------|------|------|------|------|------|
| PCB $\theta_{SA}(^{\circ}C / W)$ | 59 | 45 | 38 | 33 | 27 | 24 | 21 |
| PCB heat sink size (mm ²) | 500 | 1000 | 1500 | 2000 | 3000 | 4000 | 5000 |

Recommended figure of PCB area used as a heat sink.



PACKAGE
3-Pin Surface Mount SOT-223 (SK)


| | MILLIMETERS | | |
|----------|-------------|------|------|
| | MIN | TYP | MAX |
| A | 1.50 | 1.65 | 1.80 |
| A1 | 0.02 | 0.05 | 0.08 |
| B | 0.60 | 0.70 | 0.80 |
| B1 | 2.90 | - | 3.15 |
| c | 0.28 | 0.30 | 0.32 |
| D | 6.30 | 6.50 | 6.70 |
| E | 3.30 | 3.50 | 3.70 |
| e | 2.3 BSC | | |
| e1 | 4.6 BSC | | |
| H | 6.70 | 7.00 | 7.30 |
| L | 0.91 | 1.00 | 1.10 |
| K | 1.50 | 1.75 | 2.00 |
| α | 0° | 5° | 10° |
| β | | 3° | |

3-Pin Surface Mount TO-252 (SJ)


| | INCHES | | | MILLIMETERS | | |
|----|-----------|-------|-------|-------------|------|-------|
| | MIN | TYP | MAX | MIN | TYP | MAX |
| A | 0.086 | - | 0.094 | 2.18 | - | 2.39 |
| A1 | 0.040 | - | 0.050 | 1.02 | - | 1.27 |
| b | - | 0.024 | - | - | 0.61 | - |
| b2 | 0.205 | - | 0.215 | 5.21 | - | 5.46 |
| c | 0.018 | - | 0.023 | 0.46 | - | 0.58 |
| c1 | 0.018 | - | 0.023 | 0.46 | - | 0.58 |
| D | 0.210 | - | 0.220 | 5.33 | - | 5.59 |
| E | 0.250 | - | 0.265 | 6.35 | - | 6.73 |
| e | 0.090 BSC | | | 2.29 BSC | | |
| e1 | 0.180 BSC | | | 4.58 BSC | | |
| H | 0.370 | - | 0.410 | 9.40 | - | 10.41 |
| L | 0.020 | - | - | 0.51 | - | - |
| L1 | 0.025 | - | 0.040 | 0.64 | - | 1.02 |
| L2 | 0.060 | - | 0.080 | 1.52 | - | 2.03 |

IMPORTANT NOTICE

ADDtek reserves the right to make changes to its products or to discontinue any integrated circuit product or service without notice, and advises its customers to obtain the latest version of relevant information to verify, before placing orders, that the information being relied on is current.

A few applications using integrated circuit products may involve potential risks of death, personal injury, or severe property or environmental damage. ADDtek integrated circuit products are not designed, intended, authorized, or warranted to be suitable for use in life-support applications, devices or systems or other critical applications. Use of ADDtek products in such applications is understood to be fully at the risk of the customer. In order to minimize risks associated with the customer's applications, the customer should provide adequate design and operating safeguards.

ADDtek assumes no liability to customer product design or application support. ADDtek warrants the performance of its products to the specifications applicable at the time of sale.

ADDtek Corp.

9F, No. 20, Sec. 3, Bade Rd., Taipei, Taiwan, 105

TEL: 2-25700299

FAX: 2-25700196
