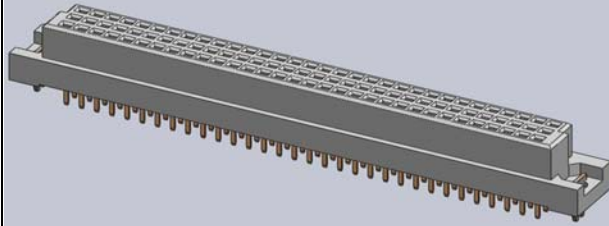


227 Idema Road, Markham,  
 Ontario Canada, L3R 1B1  
 Tel: +1 416 754-3322  
 Fax: +1 416 754-3299  
 Email: info@edac.net  
 http://www.edac.net



Standard Interconnect Products &  
 Custom Engineered Solutions

## SERIES 496-196-221 -311



STYLE \_\_\_\_\_  
 NUMBER OF CONTACTS \_\_\_\_\_  
 GOLD PLATING THICKNESS \_\_\_\_\_  
 CONTACT CODE \_\_\_\_\_  
 CONTACT ROW ARRANGEMENT \_\_\_\_\_  
 CONTACT SPACING ARRANGEMENT \_\_\_\_\_  
 MOUNTING OPTIONS \_\_\_\_\_

STYLE  
 1- STANDARD STYLE (STRAIGHT)

### GOLD PLATING THICKNESS

- 2- GOLD FLASH
- 3- 15 MICRONS OF GOLD
- 6- 30 MICRONS OF GOLD

### CONTACT CODE

- 21- PCB TAIL .157 (4.0) LG.
- 22- PCB TAIL .098 (2.5) LG.
- 40- W.W. TAIL .512 (13.0) LG.
- 41- W.W. TAIL .669 (17.0) LG.
- 70- PRESS-FIT TAIL .182 (4.6) LG.
- 73- PRESS-FIT TAIL .248 (6.3) LG.
- 80- PRESS-FIT, W.W.TAIL .512 (13.0) LG.
- 81- PRESS-FIT, W.W.TAIL .669 (17.0) LG.

### CONTACT ROW ARRANGEMENT

- 1- CONTACTS ON ROW "A"
- 3- CONTACTS ON ROW "A," "B" AND "C"
- 6- CONTACTS ON ROW "A" AND "C"

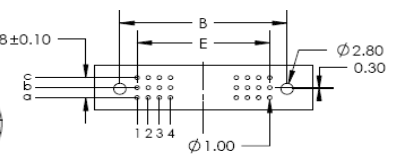
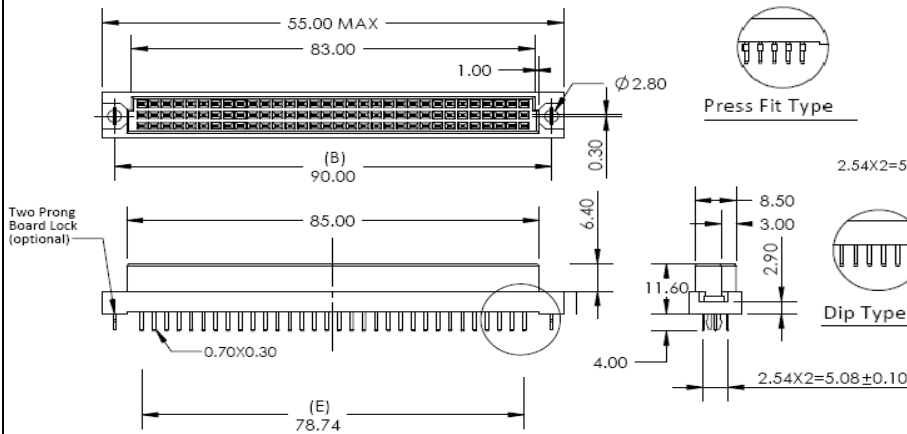
### CONTACT SPACING ARRANGEMENT

- 1- ROWS FULLY LOADED
- 2- EVEN NUMBER LOADED

### MOUNTING OPTIONS

- 1-  $\phi$ .110" ( $\phi$ 2.80mm), THROUGH HOLE
- 3-  $\phi$ .110" ( $\phi$ 2.80mm) HOLE WITH TWO-PRONG BOARD LOCK

PITCH	NUMBER OF CONTACTS	CONTACT ROW ARRANGEMENT	CONTACT SPACING ARRANGEMENT
2.54MM	96	a b c	1- ROWS FULLY LOADED
	48	a b c	1- ROWS FULLY LOADED
	64	a - c	1- ROWS FULLY LOADED
	32	a - c	1- ROWS FULLY LOADED
	32	a - -	1- ROWS FULLY LOADED
5.08MM	48	a b c	2- EVEN NUMBER LOADED
	24	a b c	2- EVEN NUMBER LOADED
	32	a - c	2- EVEN NUMBER LOADED
	16	a - c	2- EVEN NUMBER LOADED
	16	a - -	2- EVEN NUMBER LOADED



### P.C. BOARD PATTERN

Dimension E at 2.54 Pitch:  
 1 Row: E = No. of Positions-1 X 2.54  
 2 Rows: E = (No. of Positions/2)-1 X 2.54  
 3 Rows: E = (No. of Positions/3)-1 X 2.54

### Features:

- High density 96 Contacts 3 Row Metal-to-Metal Connector on 2.54mm (.100") Grid
- Contacts: Straight
- Contact Material: Phosphor Bronze with selective gold plating and tin on tails:
- 2-Gold Flash Plating
- 3- 15u" of Gold Plating
- 6- 30u" of Gold Plating
- Contact Tails: 0.7 x 0.3mm (.028" x .012") Rectangular
- Contact Spacing: 2.54 x 2.54mm (.100" x .100") single, double or triple rows; or 2.54 x 5.08mm (.100" x .200") single, double or triple rows.
- Available in: 8, 16, 24, 32, 48, 64, and 96 positions
- Connectors designed to meet DIN 41612-C (Female) specifications

### Specifications:

- Current Rating: 2 Amperes @ 20°C
- Contact Material: Phosphor Bronze
- Contact Plating: Selective Gold Plating
- Contact Resistance: 30 milliohms, maximum
- Insulator Material: 30% Glass Filled PBT, UL 94V-0
- Insulation Resistance: Mated - 1000 Mega (10<sup>6</sup>) ohms
- Dielectric Withstanding Voltage: 1000 V.A.C RMS
- Basic Grid: 2.54mm (.100")
- Operating Temperature: -55°C to +105°C

# Mouser Electronics

Authorized Distributor

Click to View Pricing, Inventory, Delivery & Lifecycle Information:

[EDAC:](#)

[496-096-220-312](tel:496-096-220-312)