

DIN 41 612 · complementary type 2B



Number of contacts

32, 16



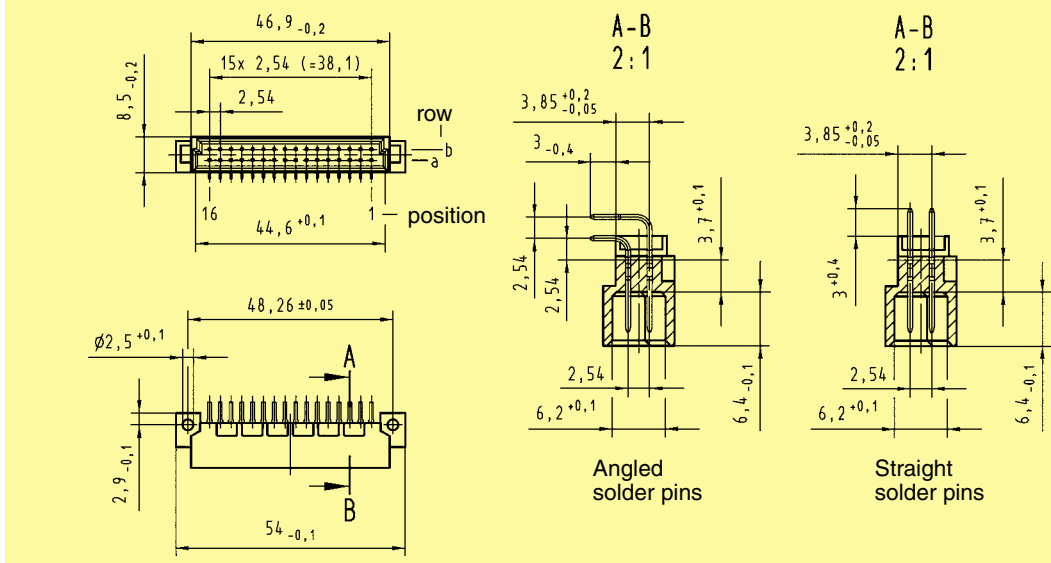
Male connectors

DIN Signal to 2 A

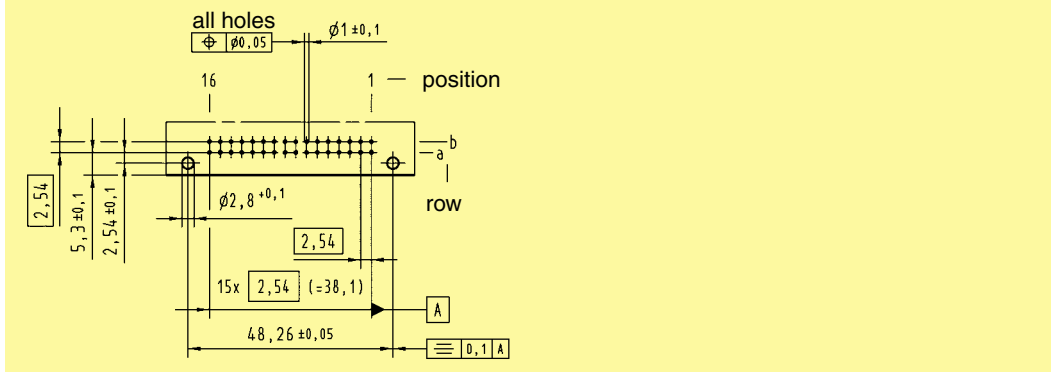
Identification Number of contacts Contact arrangement Part No. Performance levels according to IEC 60 603-2. Explanation chapter 00

Identification	Number of contacts	Contact arrangement	Part No.	Performance levels according to IEC 60 603-2. Explanation chapter 00	3	2	1
Male connector with angled solder pins	32		09 22 132 7921	09 22 132 6921 09 22 332 6921 ^{b)}			09 22 132 2921
	16			09 22 116 6921			
	16		09 22 116 7931	09 22 116 6931			
	30 + 2 [▲]			09 22 132 6951			
Male connector with straight solder pins	32		09 22 132 7922	09 22 132 6922			09 22 132 2922

Dimensions



Board drillings
Mounting side



Dimensions in mm

01
16

▲ Male connectors with 2 leading contacts [(0.8 mm) pos. a1 and a16]. Lagging pins row b on request.
Other contact arrangements on request
b) Connectors with snap-in clips see chapter 00