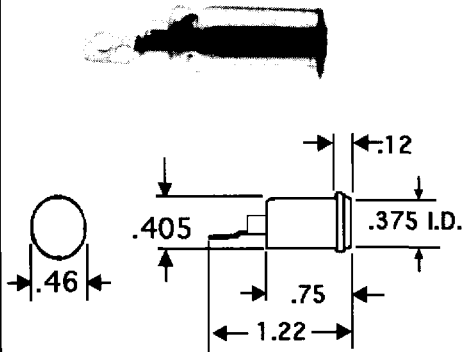
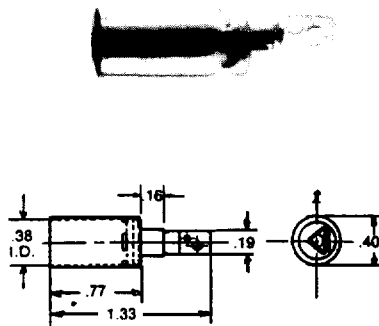


COAXIAL ANTENNA JACKS

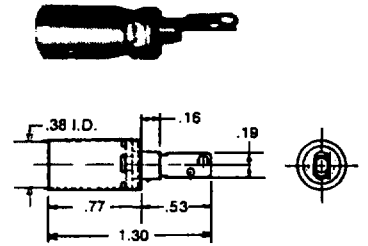
N6-74 COAXIAL ANTENNA JACK



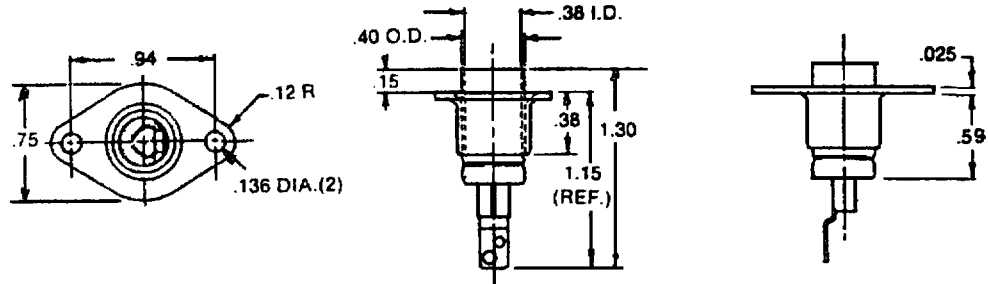
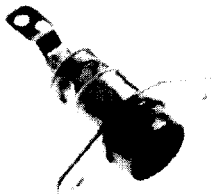
1235 COAXIAL ANTENNA JACK



N6-75 COAXIAL ANTENNA JACK

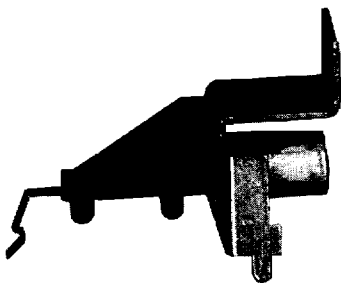


1207 COAXIAL ANTENNA JACK



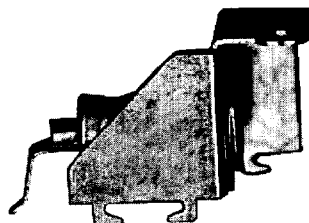
SPECIAL APPLICATION CONNECTORS

BARBLESS ANTENNA SOCKET



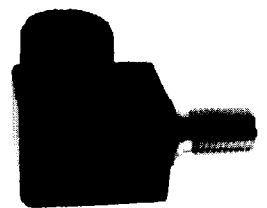
PART NO. 966

JASO ANTENNA SOCKET



PART NO. 6824

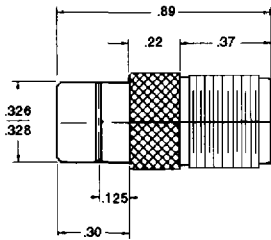
RIGHT ANGLE ANTENNA MAST TO UHF ADAPTER



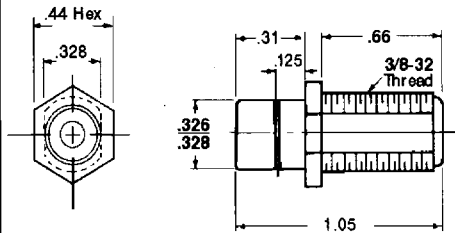
PART NO. K333-450

R. F. CONNECTORS

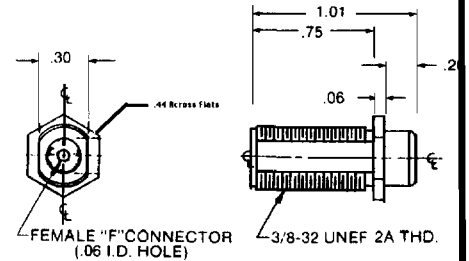
J75-59 "F" CONNECTOR TO PHONO JACK



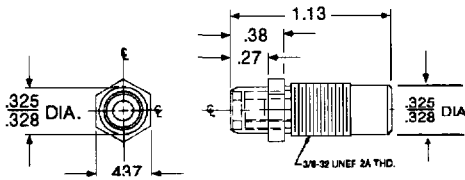
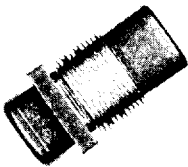
J75-59-4 "F" CONNECTOR TO PHONO JACK



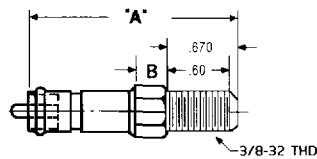
6-290 "F" CONNECTOR TO PANEL MOUNT PHONO JACK



6-280 PANEL MOUNT PHONO JACK TO PHONO JACK

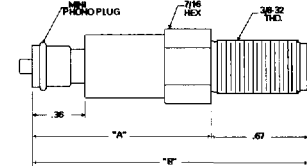


JF80-120 SERIES "F" CONNECTOR TO SPRING LOCK PHONO PLUG



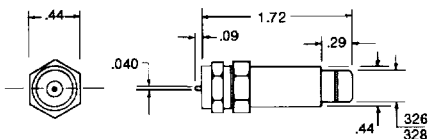
| PART NO. | "A" | "B" |
|------------|------|-----|
| JF80-120-2 | 1.97 | .18 |
| JF80-120-5 | 1.72 | .24 |
| JF80-120-7 | 2.42 | .31 |

JF80-130 SERIES "F" CONNECTOR TO SPRING LOCK PHONO PLUG



| PART NO. | "A" | "B" |
|------------|------|------|
| JF80-130-1 | 1.00 | 1.76 |
| JF80-130-2 | 1.22 | 1.98 |
| JF80-130-3 | 1.30 | 2.06 |
| JF80-130-4 | 1.67 | 2.43 |

J75-59-28 MALE "F" CONNECTOR TO PHONO JACK

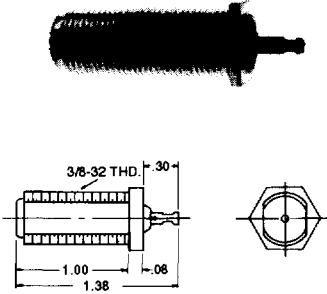


Continuous Improvement

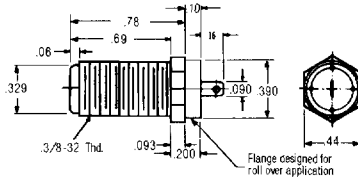
Ntt is committed to continuous improvement of product designs, processes, methods, facilities, and personnel. Team meetings and supervisor/subordinate meetings are held throughout the year to keep performance on track. With these methods Ntt has become world class with niche products which are "best in the market place."

"F" CONNECTORS and JACKS

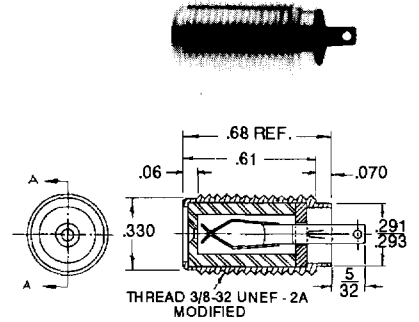
J75-59-37 "F" PANEL MOUNT CONNECTOR



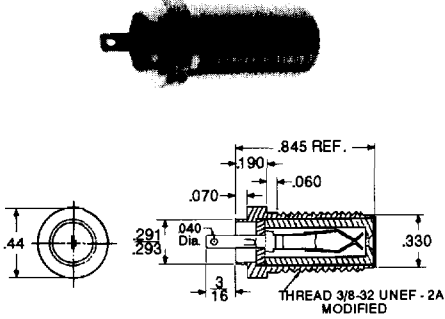
J75-59-44 "F" PANEL MOUNT CONNECTOR



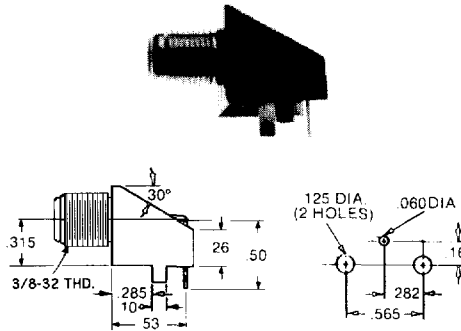
J75-59-76 "F" PANEL MOUNT CONNECTOR



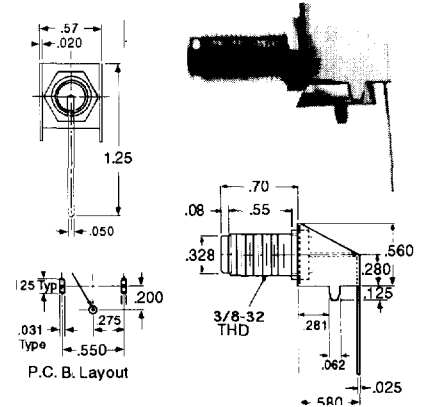
J75-59-96 "F" PANEL MOUNT CONNECTOR



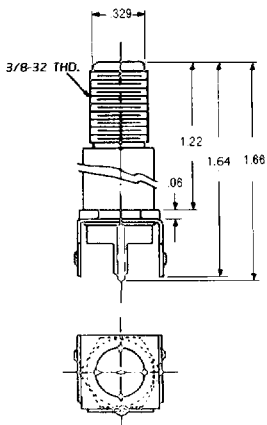
6-72-15 RIGHT ANGLE P.C. MOUNT "F" JACK



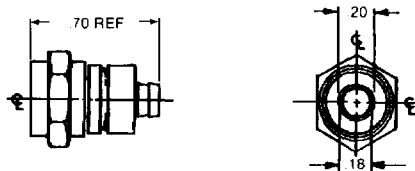
J75-59-24 RIGHT ANGLE P.C. MOUNT "F" JACK



J75-59-47 VERTICAL P. C. MOUNT "F" JACK



1817 R.G.-59 "F" CONNECTOR



1815 R.G.-59 "F" CONNECTOR



1813 P.C.B. MOUNT "F" JACK

