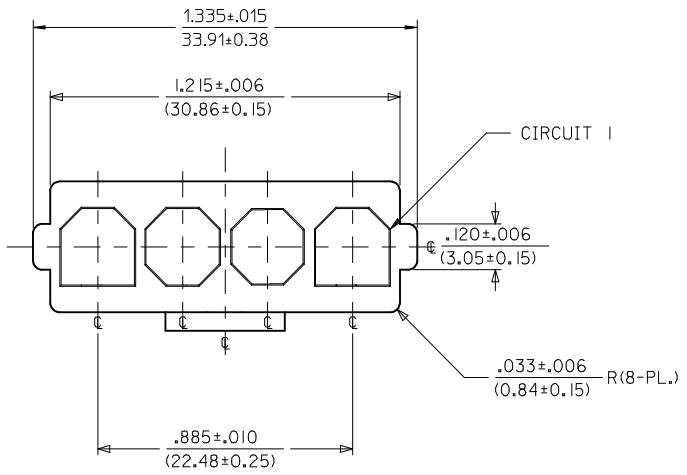
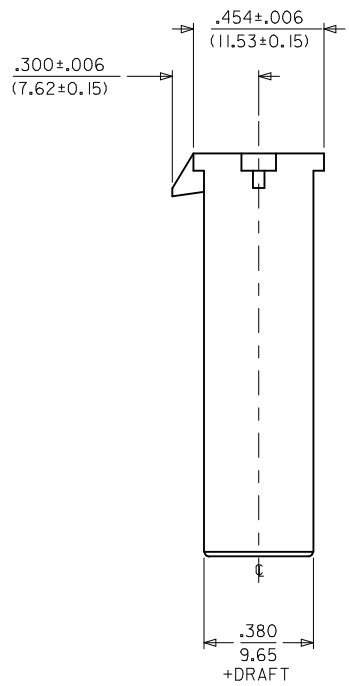
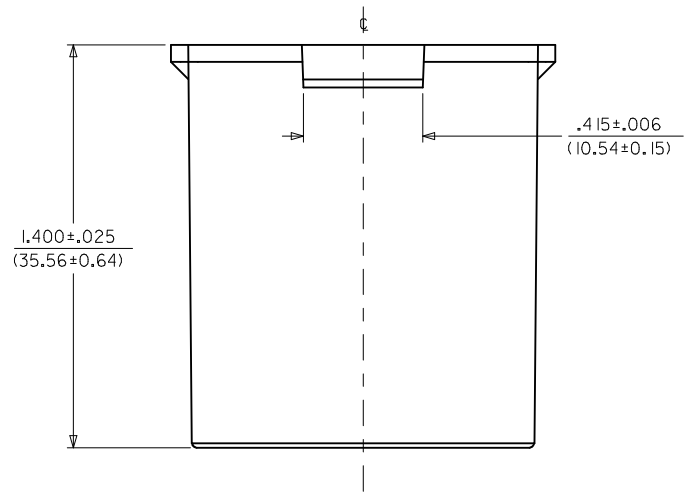


ITEM NUMBER	MATERIAL	COLOR
43680-1004	UL94V-2 NYLON	NATURAL (TRANSLUCENT)
43680-2004	UL94V-0 NYLON	BLACK
43680-3004	UL94V-2 NYLON IEC 60335-1 GLOW WIRE CAPABLE	BLACK

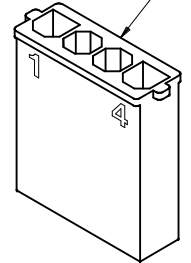


NOTE:

1. MATERIAL: SEE CHART.
2. FINISH: NONE.
3. PRODUCT SPECIFICATION: PS-44441-9999.
4. PACKAGING: PK-43680-001.
5. THIS CONNECTOR HOUSING FOR USE WITH 43178-**** TERMINALS.
6. THIS CONNECTOR HOUSING WILL MATE TO 43335-****, 43179-**** AND 44441-**** HOUSINGS.
7. PARTS CONFORM TO CLASS B REQUIREMENTS OF COSMETIC SPEC PS-45499-002.
- SOME PARTS MAY HAVE A BLEMISH NEAR THE GATE THAT DOES NOT AFFECT FUNCTIONALITY.



LOCKING NUB IS LOCATED HERE



43680-*004
(NO SCALE)

GATE BLEMISH EC NO: UCP2015-2359 DRWN:JDFX 2015/01/06 CHKD:ANDERSON 2015/01/06 APPR:FSMITH 2015/01/09 REV E2	QUALITY SYMBOLS	GENERAL TOLERANCES (UNLESS SPECIFIED)	DIMENSION STYLE	SCALE	DESIGN UNITS	THIRD ANGLE PROJECTION
	▽=0	mm INCH	IN/MM	4:1	INCH	
	▽=0	4 PLACES ± --- ± ---	DRAWN BY DATE	TITLE		
	▽=0	3 PLACES ± --- ±.010	CM 03/22/96	4-CIR. PLUG HOUSING		
	▽=0	2 PLACES ± 0.25 ±.014	CHECKED BY DATE	.125/(3.18)X.020/(0.51)		
	1 PLACE ± 0.35 ± ---	KBP 03/22/96	SABRE - TPA			
	0 PLACE ± --- ± ---	APPROVED BY DATE	molex			
		FSMITH 2015/01/09	MATERIAL NO.	DOCUMENT NO.	SHEET NO.	
			SEE CHART	SD-43680-*004	1 OF 1	
		ANGULAR ±1/2°	THIS DRAWING CONTAINS INFORMATION THAT IS PROPRIETARY TO MOLEX INCORPORATED AND SHOULD NOT BE USED WITHOUT WRITTEN PERMISSION			
		DRAFT WHERE APPLICABLE MUST REMAIN WITHIN DIMENSIONS				