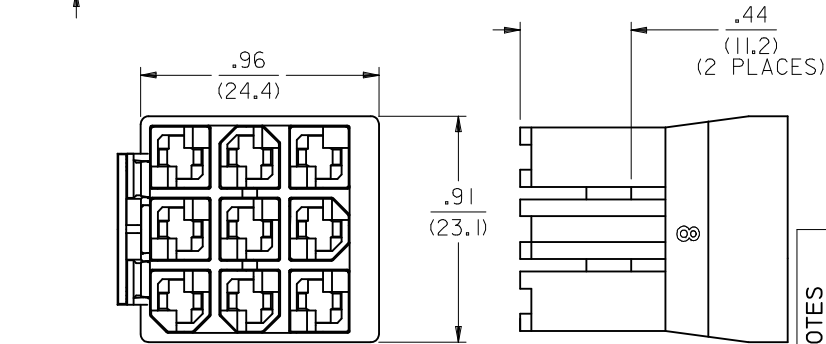
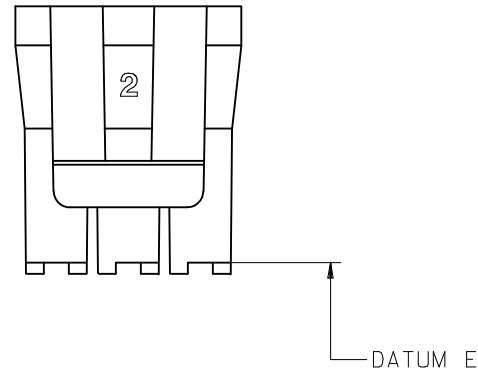
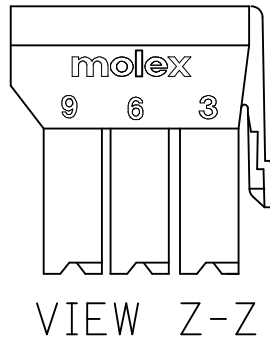
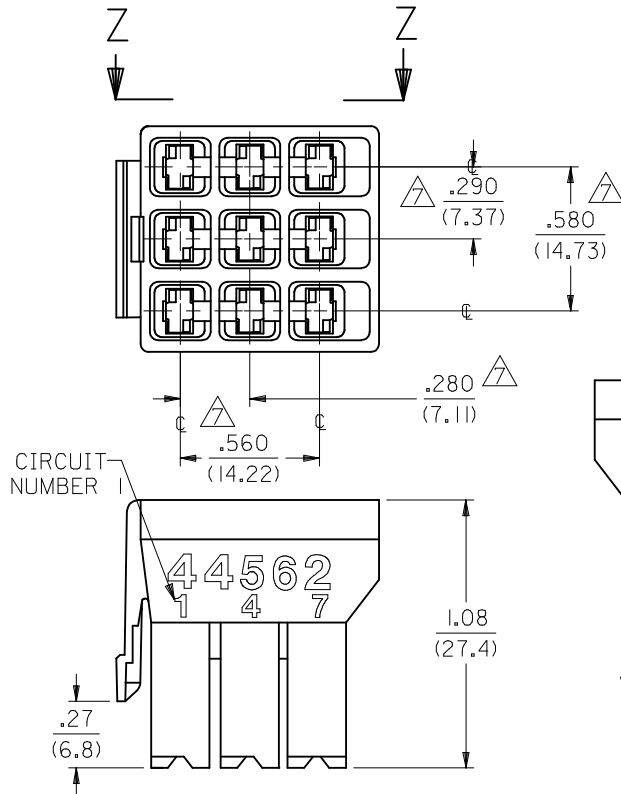


NOTES:

1. MATERIAL: NYLON, UL94V-2, COLOR: NATURAL.
2. FINISH: NONE
3. PRODUCT SPECIFICATION: NONE
4. PACKAGING SPECIFICATION: PK-40873-139
5. MATES WITH PLUG HOUSING PART NUMBER 44561-0001, SEE DRAWING SD-44561-001.
6. THIS CONNECTOR HOUSING FOR USE WITH 43375-**** TERMINALS.
- △ DIMENSION TO BE MEASURED AT DATUM E.
8. PART CONFORMS TO CLASS 'B' REQUIREMENTS OF COSMETIC SPECIFICATION PS-45499-002.



REV/ADD NOTES EC NO: UCP2008-0341 DRW:MKIPPER 2009/09/18 CHKD:AEHLHAG 2009/09/21 APPR:FSMITH 2009/11/11	DESCRIPTION △=0 ▽=0	QUALITY SYMBOLS		GENERAL TOLERANCES (UNLESS SPECIFIED)		DIMENSION STYLE IN/MM		SCALE 2:1	DESIGN UNITS INCH	THIRD ANGLE PROJECTION
				mm INCH	DRAWN BY DATE SOMMER 1999/10/15	TITLE 9 CIRCUIT F.I.C. RECEPT. HOUSING .125/(3.18)X .020/(0.51)D.T.W-TPA				
				4 PLACES ± --- ± --- 3 PLACES ± --- ± .010 2 PLACES ± 0.25 ± .014 1 PLACE ± 0.35 ± ---	CHECKED BY DATE SOMMER 1999/10/15	MOLEX INCORPORATED				
				ANGULAR ±1/2°	APPROVED BY DATE EDGLEY 1999/10/15	MATERIAL NO. 44562-0001	DOCUMENT NO. SD-44562-001	SHEET NO. 1 OF 1		
DRAFT WHERE APPLICABLE MUST REMAIN WITHIN DIMENSIONS				THIS DRAWING CONTAINS INFORMATION THAT IS PROPRIETARY TO MOLEX INCORPORATED AND SHOULD NOT BE USED WITHOUT WRITTEN PERMISSION						