

**PLEASE CHECK WWW.MOLEX.COM FOR LATEST PART INFORMATION**

**Part Number:** [0433751001](#)

**Status:** **Active**

**Overview:**

**Description:** Sabre™ Crimp Terminal, Series 43375, Female, with Tin (Sn) Plated Brass Contact, 14-18 AWG or Double 18 AWG, 4.57mm (.180") Max. Insulation Diameter, Reel Packaged

**Documents:**

[Drawing \(PDF\)](#)

[Product Literature \(PDF\)](#)

[Product Literature \(PDF\)](#)

[Product Specification PSX-44441-9999 \(PDF\)](#)

[RoHS Certificate of Compliance \(PDF\)](#)

**General**

Product Family	Crimp Terminals
Series	43375
Comments	Allows 44441 receptacle housings to meet UL 1950 finger proof standard.
Overview	Sabre&#153;
Product Name	Sabre™

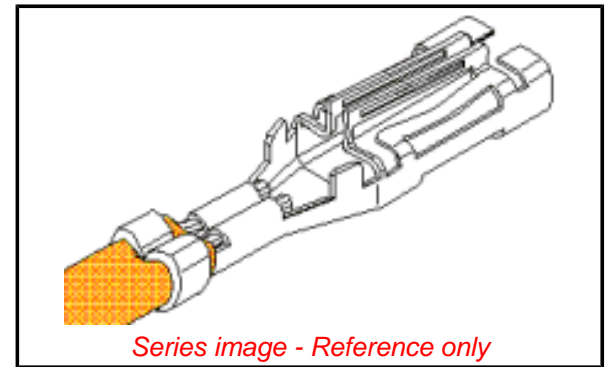
**Physical**

Durability (mating cycles max)	25
Gender	Female
Material - Metal	Brass
Material - Plating Mating	Tin
Material - Plating Termination	Tin
Packaging Type	Reel
Plating min: Mating (µin)	20
Plating min: Mating (µm)	0.50
Plating min: Termination (µin)	20
Plating min: Termination (µm)	0.50
Termination Interface: Style	Crimp or Compression
Wire Insulation Diameter	4.57mm (.180") max.
Wire Size AWG	14
Wire Size AWG	16
Wire Size AWG	18
Wire Size AWG	18+18
Wire Size mm²	N/A

**Material Info**

**Reference - Drawing Numbers**

Product Specification	PSX-44441-9999
Product Specification	RPSX-44441-001
Sales Drawing	SD-43375-1001



**EU RoHS**

**ELV and RoHS  
Compliant  
REACH SVHC  
Contains SVHC: No  
Halogen-Free  
Status  
Halogen-Free**

**China RoHS**



**Need more information on product environmental compliance?**

Email [productcompliance@molex.com](mailto:productcompliance@molex.com)  
Please visit the [Contact Us](#) section for any non-product compliance questions.

**Search Parts in this Series**

[43375](#) Series

**Mates With**

[43178](#) Male Crimp Terminals

**Use With**

[44441](#) Receptacle Housings

**Application Tooling | [FAQ](#)**

*Tooling specifications and manuals are found by selecting the products below. Crimp Height Specifications are then contained in the Application Tooling Specification document.*

**Global**

Description	Product #
HAND CRIMP TOOL	<a href="#">0638117300</a>
Manual Extraction Tool	<a href="#">0638130500</a>
Extraction Tool	<a href="#">0638132700</a>
Mini-Mac™ Applicator	<a href="#">0638916100</a>
Mini-Mac™ Applicator, For Narrow Insulation Crimp	<a href="#">0638917000</a>

This document was generated on 12/02/2009

**PLEASE CHECK [WWW.MOLEX.COM](http://WWW.MOLEX.COM) FOR LATEST PART INFORMATION**