

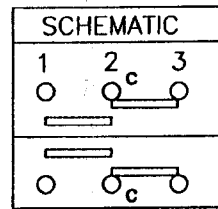
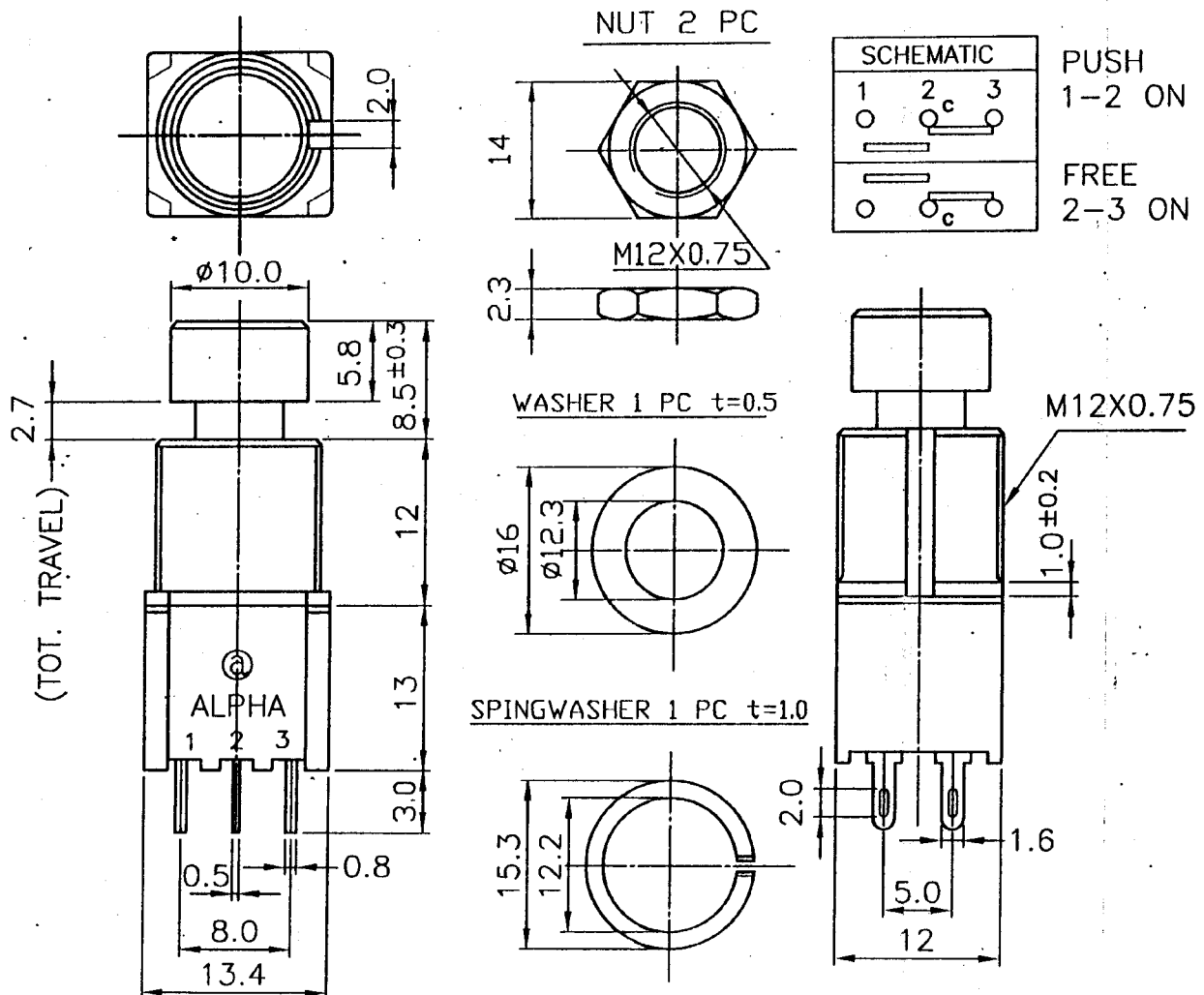
FOOT SWITCH

MODEL

SF12020DF-0202-20R-M-003

SPECIFICATIONS

Rating	AC125V 6A AC250V 3A DC30V 4A
Contact Resistance	50mΩ Max. Silver contacts
Insulation Resistance	DC500V-100 MΩ Min.
Withstand Voltage	AC1000V-1 Minute
Operating Force	2.8±0.8Kgf
Life Cycles	20,000 Cycles
Sizes (m.m)	As Following Drawing



PUSH
1-2 ON

FREE
2-3 ON

NOTE: 1. TOLERANCES UNLESS OTHERWISE SPECIFIED: $\pm 0.3\text{mm}$
2. FUNCTION: MOMENTARY

Date

2012.08.07

DWN



CHKD

APP'D



TAIWAN ALPHA ELECTRONIC CO., LTD.

Mouser Electronics

Authorized Distributor

Click to View Pricing, Inventory, Delivery & Lifecycle Information:

[Alpha \(Taiwan\):](#)

[SF12020DF-0202-20R-M-003](#)