

HDFK 95

for horizontal conductor connection

Terminal width 25.0

(IEC)	rigid	flexible		I	U
[mm ²]	solid	stranded	AWG	[A]	[V]
Connection data	25-95	35-95	4-000	232	1)
1)Metal walls 1 (5) to 2.5 (6.5) mm					1000
Metal walls 2.5 (6.5) to 5 (9) mm					800
Metal walls 5 (9) to 6 (10) mm					690
Plastic walls 1 (5) to 6 (10) mm					1000

() Values in brackets apply to ...-DP version



Description	Type	Order No.	Pcs. Pkt.
Panel feed-through terminal block , with internal and external screw connection	for 1 - 6 mm thick housing walls	HDFK 95	07 09 53 4 10
	for 5 - 10 mm thick housing walls	HDFK 95-DP	07 09 69 9 10
Panel feed-through terminal block , with internal and external screw connection	for 1 - 6 mm thick housing walls	HDFK 95-F	07 09 64 4 10
	for 5 - 10 mm thick housing walls	HDFK 95-DP-F	07 09 65 7 10

external terminal half with screw flange

Accessories

(1) Insertion profile , compensates prism-shaped sleeve base when using flat conductors		UKH 95 EP	30 09 23 1 10
(2) Zack strip , 10-section, white		ZB 10 (see info)	
(3) Screwdriver		ISS 6	12 01 93 4 1

Technical data**Dimensions**

see drawing

Technical data in accordance with IEC/VDE

Rated surge voltage / contamination class	[kV] / –	8 / 3
Surge voltage category / insulation material group	– / –	III / I

Connection capacity

stranded with ferrule without / with plastic sleeve	[mm ²]	25 - 95 / 25 - 95
---	--------------------	-------------------

Multi-conductor connection (2 conductors with same cross section)

solid / stranded	[mm ²]	16 - 35 / 16 - 35
stranded with ferrule without plastic sleeve	[mm ²]	16 - 35

Stripping length	[mm]	27
-------------------------	------	----

Internal cylindrical gage (IEC 947-1:1988)		B 12
---	--	------

Terminal sleeve: thread / torque	– / [Nm]	M 8 / 15 - 20
---	----------	---------------

Insulation material		PA
----------------------------	--	----

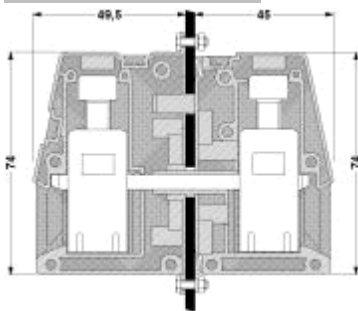
Inflammability class acc. to UL 94		V0
------------------------------------	--	----

Temperature indices RTI / Ti		130 / 120
------------------------------	--	-----------

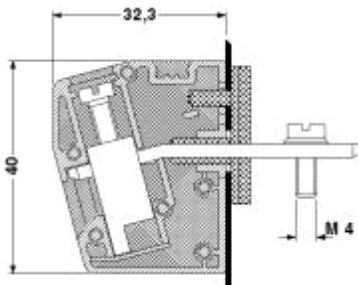
Approval data (UL and CSA)

Nom. voltage / nom. current / conduc. sizes	UL: [V] / [A] / AWG	600 / 230 / 4 - 4/0
---	---------------------	---------------------

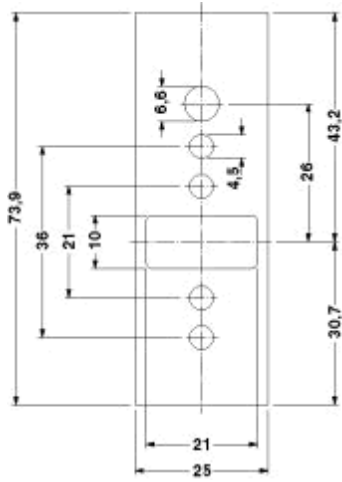
	CSA: [V] / [A] / AWG	600 / 200 / 2 - 4/0
--	----------------------	---------------------

Dimensional drawing

HDFK 95-F

**Drilling diagram**

HDFK 95



HDFK 95

