

PLEASE CHECK WWW.MOLEX.COM FOR LATEST PART INFORMATION

Part Number: [0512961894](#)
Status: **Active**
Description: 0.50mm (.020") Pitch Easy-On™ Type FFC/FPC Connector, 1.30mm (.051") Height, Right Angle, SMT, ZIF, Bottom Contact Style, 18 Circuits, Lead-free, Gold Contact Plating

Documents:

[3D Model](#) [Product Specification PS-51296-003 \(PDF\)](#)
[Drawing \(PDF\)](#) [RoHS Certificate of Compliance \(PDF\)](#)

General

Product Family FFC/FPC Connectors
 Series [51296](#)
 Product Name Easy-On™

Physical

Circuits (Loaded) 18
 Color - Resin Beige
 Color - Resin Black
 Contact Position Bottom
 Durability (mating cycles max) 20
 Entry Angle 90° Angle
 Mated Height (in) 0.051 In
 Mated Height (mm) 1.30 mm
 Material - Metal Phosphor Bronze
 Material - Plating Mating Gold
 Material - Plating Termination Gold
 Number of Rows 1
 Orientation Right Angle
 PCB Locator No
 PCB Retention Yes
 Packaging Type Embossed Tape on Reel
 Pitch - Mating Interface (in) 0.020 In
 Pitch - Mating Interface (mm) 0.50 mm
 Polarized to PCB Yes
 Stackable No
 Temperature Range - Operating -20°C to +85°C
 Termination Interface: Style Surface Mount
 Wire/Cable Type FFC/FPC

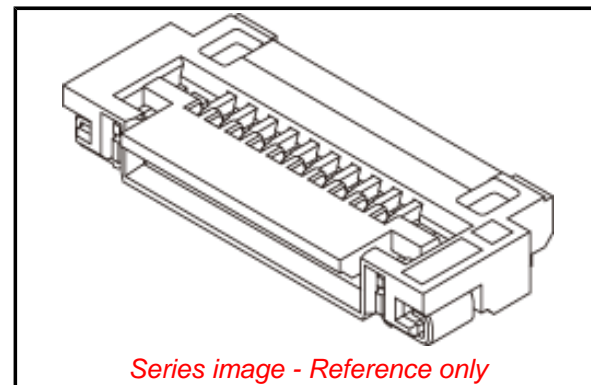
Electrical

Current - Maximum 0.5A
 Voltage - Maximum 50V AC (RMS)/DC

Material Info

Reference - Drawing Numbers

Product Specification PS-51296-003
 Product Specification RPS-51296-056
 Product Specification RPS-51296-057
 Product Specification RPS-51296-058
 Product Specification RPS-51296-059
 Product Specification RPS-51296-060
 Product Specification RPS-51296-063
 Product Specification RPS-51296-064
 Product Specification RPS-51296-065
 Product Specification RPS-51296-066
 Product Specification RPS-51296-067



EU RoHS

**ELV and RoHS
 Compliant**
**REACH SVHC
 Contains SVHC: No**
**Halogen-Free
 Status**
Not Reviewed

China RoHS



**Need more information on product
 environmental compliance?**

Email productcompliance@molex.com
 Please visit the [Contact Us](#) section for any
 non-product compliance questions.

Search Parts in this Series
[51296 Series](#)

Product Specification
Product Specification
Product Specification
Sales Drawing
Sales Drawing

RPS-51296-069
RPS-51296-070
RPS-51296-071
SD-51296-011
SD-51296-012

This document was generated on 12/09/2009

PLEASE CHECK WWW.MOLEX.COM FOR LATEST PART INFORMATION