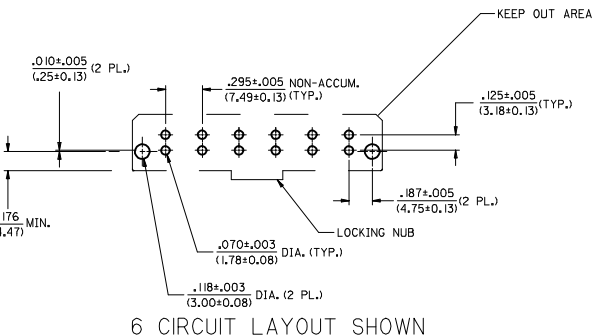


SEE SHEET 2 AND 3 FOR ITEM NUMBER CHART

RECOMMENDED P.C. BOARD LAYOUT FOR VERTICAL HEADERS

SCALE 2:1



NOTES:

- INSULATOR MATERIAL (SEE CHART):  
A = 30% GLASS FILLED 46 NYLON, 94V-0, COLOR: BLACK.  
TERMINAL MATERIAL: BRASS
- TERMINAL FINISH: 60 MICRINCH (1.5 MICROMETER) MINIMUM TIN OVER 50 MICRINCH (1.25 MICROMETER) MINIMUM NICKEL.
- PRODUCT SPECIFICATION: PSX-4441-9999.
- PACKAGING: SEE CHART.
- THESE HEADERS MATE WITH 43179, 43335, OR 44441 RECEPTACLE HOUSINGS.
- SEE SHEETS 1, 2 AND 3, FOR VERTICAL HEADER ASSEMBLIES AND THEIR RESPECTIVE PART NUMBERS.
- SEE SHEETS 4, 5 AND 6, FOR RIGHT ANGLE HEADER ASSEMBLIES AND THEIR RESPECTIVE PART NUMBERS.
- DIMENSIONS ARE FOR REFERENCE ONLY, UNLESS INDICATED OTHERWISE.

SOLDER TAIL	DIM. "A" $\pm .020 / (0,51)$
SHORT	.150 / (3,81)
LONG	.210 / (5,33)

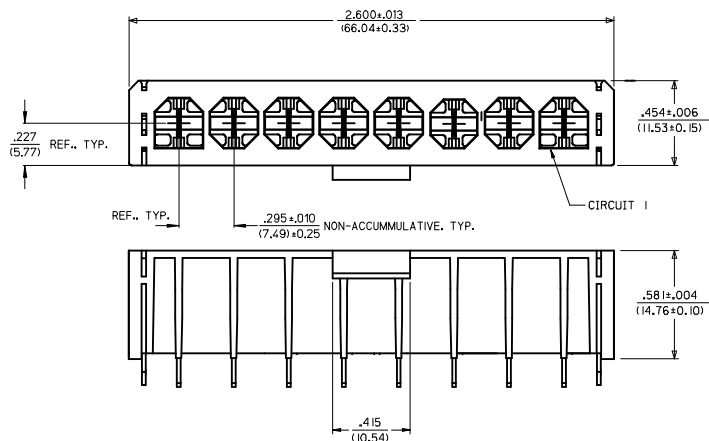
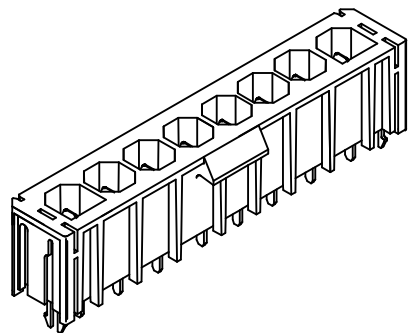
BOARD LOCK	DIM. "B" $\pm .004 / (0,15)$
.062	.070 / (1,78)
.094	.102 / (2,59)
.125	.133 / (3,38)

ADD 43160-9001 W/VID EC NO: UCP2015-5276 DRAWN/MONTI 2015/06/12 CHKD/BANDERSON 2015/06/12 APPR/FSMTH 2015/06/15 REV DESCRIPTION	QUALITY SYMBOLS ▽=0 ▽=0 ▽=0	GENERAL TOLERANCES (UNLESS SPECIFIED) <table border="1"> <thead> <tr> <th></th> <th>mm</th> <th>INCH</th> </tr> </thead> <tbody> <tr> <td>4 PLACES</td> <td>± .005</td> <td>± .005</td> </tr> <tr> <td>3 PLACES</td> <td>± .01</td> <td>± .01</td> </tr> <tr> <td>2 PLACES</td> <td>± 0.13</td> <td>± .01</td> </tr> <tr> <td>1 PLACE</td> <td>± 0.25</td> <td>± .01</td> </tr> <tr> <td>0 PLACE</td> <td>± .01</td> <td>± .01</td> </tr> </tbody> </table> ANGULAR $\pm 1/2^\circ$ DRAFT WHERE APPLICABLE MUST REMAIN WITHIN DIMENSIONS		mm	INCH	4 PLACES	± .005	± .005	3 PLACES	± .01	± .01	2 PLACES	± 0.13	± .01	1 PLACE	± 0.25	± .01	0 PLACE	± .01	± .01	DIMENSION STYLE IN/MM SCALE 3:1 DESIGN UNITS INCH THIRD ANGLE PROJECTION	DRAWN BY DATE GC 11/30/95 CHECKED BY DATE KBP 11/30/95 APPROVED BY DATE FSMITH 2015/06/15	MATERIAL NO. SEE CHART DOCUMENT NO. SDA-43160-****	SHEET NO. 1 OF 6
		mm	INCH																					
	4 PLACES	± .005	± .005																					
	3 PLACES	± .01	± .01																					
2 PLACES	± 0.13	± .01																						
1 PLACE	± 0.25	± .01																						
0 PLACE	± .01	± .01																						
TITLE SABRE HEADER, ASSY RA & VERT, 2-6 & 8 CIR. .125/(3,18) X .020/(0,51)																								
moxle																								
THIS DRAWING CONTAINS INFORMATION THAT IS PROPRIETARY TO MOLEX INCORPORATED AND SHOULD NOT BE USED WITHOUT WRITTEN PERMISSION																								

6	J
5	J
4	J
3	J
2	J
1	J
SHT.	REV.

	20	19	18	17	16	15	14	13	12	11	10	9	8	7	6	5	4	3	2	1																
M	VERTICAL HEADER ASSEMBLY ITEM NO.	PART CHARACTERISTICS FOR VERTICAL HEADER				PACKAGING SPECIFICATIONS	VERTICAL HEADER ASSEMBLY ITEM NO.	PART CHARACTERISTICS FOR VERTICAL HEADER				PACKAGING SPECIFICATIONS	VERTICAL HEADER ASSEMBLY ITEM NO.	PART CHARACTERISTICS FOR VERTICAL HEADER				PACKAGING SPECIFICATIONS																		
		CIRCUIT SIZE	HSG. MAT'L (SEE NOTE 1)	SOLDER TAIL	BOARD LOCK			CIRCUIT SIZE	HSG. MAT'L (SEE NOTE 1)	SOLDER TAIL	BOARD LOCK			CIRCUIT SIZE	HSG. MAT'L (SEE NOTE 1)	SOLDER TAIL	BOARD LOCK																			
		43160-0102	2	A	SHORT			N/A	PK-43160-0010	43160-0104	4			A	SHORT	N/A	PK-43160-0010							43160-0106	6	A	SHORT	N/A	PK-43160-0010							
		43160-0302	2	A	LONG			N/A	PK-43789-001	43160-0304	4			A	LONG	N/A	PK-43789-001							43160-0306	6	A	LONG	N/A	PK-43789-001							
		43160-2102	2	A	SHORT			.062	PK-43789-001	43160-2104	4			A	SHORT	.062	PK-43789-001							43160-2106	6	A	SHORT	.062	PK-43789-001							
		43160-4102	2	A	SHORT			.094	PK-43789-001	43160-4104	4			A	SHORT	.094	PK-43789-001							43160-4106	6	A	SHORT	.094	PK-43789-001							
		43160-4302	2	A	LONG			.094	PK-43789-001	43160-4304	4			A	LONG	.094	PK-43789-001							43160-4306	6	A	LONG	.094	PK-43789-001							
		43160-6302	2	A	LONG			.125	PK-43789-001	43160-6304	4			A	LONG	.125	PK-43789-001							43160-6306	6	A	LONG	.125	PK-43789-001							
		43160-0103	3	A	SHORT			N/A	PK-43160-0010	43160-0105	5			A	SHORT	N/A	PK-43160-0010																			
		43160-0303	3	A	LONG			N/A	PK-43789-001	43160-0305	5			A	LONG	N/A	PK-43789-001																			
L	VERTICAL HEADER ASSEMBLY ITEM NO.	PART CHARACTERISTICS FOR VERTICAL HEADER				PACKAGING SPECIFICATIONS	VERTICAL HEADER ASSEMBLY ITEM NO.	PART CHARACTERISTICS FOR VERTICAL HEADER				PACKAGING SPECIFICATIONS	VERTICAL HEADER ASSEMBLY ITEM NO.	PART CHARACTERISTICS FOR VERTICAL HEADER				PACKAGING SPECIFICATIONS																		
		CIRCUIT SIZE	HSG. MAT'L (SEE NOTE 1)	SOLDER TAIL	BOARD LOCK			CIRCUIT SIZE	HSG. MAT'L (SEE NOTE 1)	SOLDER TAIL	BOARD LOCK			CIRCUIT SIZE	HSG. MAT'L (SEE NOTE 1)	SOLDER TAIL	BOARD LOCK																			
		43160-2103	3	A	SHORT			.062	PK-43789-001	43160-2105	5			A	SHORT	.062	PK-43789-001																			
K	VERTICAL HEADER ASSEMBLY ITEM NO.	PART CHARACTERISTICS FOR VERTICAL HEADER				PACKAGING SPECIFICATIONS	VERTICAL HEADER ASSEMBLY ITEM NO.	PART CHARACTERISTICS FOR VERTICAL HEADER				PACKAGING SPECIFICATIONS	VERTICAL HEADER ASSEMBLY ITEM NO.	PART CHARACTERISTICS FOR VERTICAL HEADER				PACKAGING SPECIFICATIONS																		
		CIRCUIT SIZE	HSG. MAT'L (SEE NOTE 1)	SOLDER TAIL	BOARD LOCK			CIRCUIT SIZE	HSG. MAT'L (SEE NOTE 1)	SOLDER TAIL	BOARD LOCK			CIRCUIT SIZE	HSG. MAT'L (SEE NOTE 1)	SOLDER TAIL	BOARD LOCK																			
J	VERTICAL HEADER ASSEMBLY ITEM NO.	PART CHARACTERISTICS FOR VERTICAL HEADER				PACKAGING SPECIFICATIONS	VERTICAL HEADER ASSEMBLY ITEM NO.	PART CHARACTERISTICS FOR VERTICAL HEADER				PACKAGING SPECIFICATIONS	VERTICAL HEADER ASSEMBLY ITEM NO.	PART CHARACTERISTICS FOR VERTICAL HEADER				PACKAGING SPECIFICATIONS																		
		CIRCUIT SIZE	HSG. MAT'L (SEE NOTE 1)	SOLDER TAIL	BOARD LOCK			CIRCUIT SIZE	HSG. MAT'L (SEE NOTE 1)	SOLDER TAIL	BOARD LOCK			CIRCUIT SIZE	HSG. MAT'L (SEE NOTE 1)	SOLDER TAIL	BOARD LOCK																			
I	VERTICAL HEADER ASSEMBLY ITEM NO.	PART CHARACTERISTICS FOR VERTICAL HEADER				PACKAGING SPECIFICATIONS	VERTICAL HEADER ASSEMBLY ITEM NO.	PART CHARACTERISTICS FOR VERTICAL HEADER				PACKAGING SPECIFICATIONS	VERTICAL HEADER ASSEMBLY ITEM NO.	PART CHARACTERISTICS FOR VERTICAL HEADER				PACKAGING SPECIFICATIONS																		
		CIRCUIT SIZE	HSG. MAT'L (SEE NOTE 1)	SOLDER TAIL	BOARD LOCK			CIRCUIT SIZE	HSG. MAT'L (SEE NOTE 1)	SOLDER TAIL	BOARD LOCK			CIRCUIT SIZE	HSG. MAT'L (SEE NOTE 1)	SOLDER TAIL	BOARD LOCK																			
H	VERTICAL HEADER ASSEMBLY ITEM NO.	PART CHARACTERISTICS FOR VERTICAL HEADER				PACKAGING SPECIFICATIONS	VERTICAL HEADER ASSEMBLY ITEM NO.	PART CHARACTERISTICS FOR VERTICAL HEADER				PACKAGING SPECIFICATIONS	VERTICAL HEADER ASSEMBLY ITEM NO.	PART CHARACTERISTICS FOR VERTICAL HEADER				PACKAGING SPECIFICATIONS																		
		CIRCUIT SIZE	HSG. MAT'L (SEE NOTE 1)	SOLDER TAIL	BOARD LOCK			CIRCUIT SIZE	HSG. MAT'L (SEE NOTE 1)	SOLDER TAIL	BOARD LOCK			CIRCUIT SIZE	HSG. MAT'L (SEE NOTE 1)	SOLDER TAIL	BOARD LOCK																			
G	VERTICAL HEADER ASSEMBLY ITEM NO.	PART CHARACTERISTICS FOR VERTICAL HEADER				PACKAGING SPECIFICATIONS	VERTICAL HEADER ASSEMBLY ITEM NO.	PART CHARACTERISTICS FOR VERTICAL HEADER				PACKAGING SPECIFICATIONS	VERTICAL HEADER ASSEMBLY ITEM NO.	PART CHARACTERISTICS FOR VERTICAL HEADER				PACKAGING SPECIFICATIONS																		
		CIRCUIT SIZE	HSG. MAT'L (SEE NOTE 1)	SOLDER TAIL	BOARD LOCK			CIRCUIT SIZE	HSG. MAT'L (SEE NOTE 1)	SOLDER TAIL	BOARD LOCK			CIRCUIT SIZE	HSG. MAT'L (SEE NOTE 1)	SOLDER TAIL	BOARD LOCK																			
F	VERTICAL HEADER ASSEMBLY ITEM NO.	PART CHARACTERISTICS FOR VERTICAL HEADER				PACKAGING SPECIFICATIONS	VERTICAL HEADER ASSEMBLY ITEM NO.	PART CHARACTERISTICS FOR VERTICAL HEADER				PACKAGING SPECIFICATIONS	VERTICAL HEADER ASSEMBLY ITEM NO.	PART CHARACTERISTICS FOR VERTICAL HEADER				PACKAGING SPECIFICATIONS																		
		CIRCUIT SIZE	HSG. MAT'L (SEE NOTE 1)	SOLDER TAIL	BOARD LOCK			CIRCUIT SIZE	HSG. MAT'L (SEE NOTE 1)	SOLDER TAIL	BOARD LOCK			CIRCUIT SIZE	HSG. MAT'L (SEE NOTE 1)	SOLDER TAIL	BOARD LOCK																			
E	VERTICAL HEADER ASSEMBLY ITEM NO.	PART CHARACTERISTICS FOR VERTICAL HEADER				PACKAGING SPECIFICATIONS	VERTICAL HEADER ASSEMBLY ITEM NO.	PART CHARACTERISTICS FOR VERTICAL HEADER				PACKAGING SPECIFICATIONS	VERTICAL HEADER ASSEMBLY ITEM NO.	PART CHARACTERISTICS FOR VERTICAL HEADER				PACKAGING SPECIFICATIONS																		
		CIRCUIT SIZE	HSG. MAT'L (SEE NOTE 1)	SOLDER TAIL	BOARD LOCK			CIRCUIT SIZE	HSG. MAT'L (SEE NOTE 1)	SOLDER TAIL	BOARD LOCK			CIRCUIT SIZE	HSG. MAT'L (SEE NOTE 1)	SOLDER TAIL	BOARD LOCK																			
D	VERTICAL HEADER ASSEMBLY ITEM NO.	PART CHARACTERISTICS FOR VERTICAL HEADER				PACKAGING SPECIFICATIONS	VERTICAL HEADER ASSEMBLY ITEM NO.	PART CHARACTERISTICS FOR VERTICAL HEADER				PACKAGING SPECIFICATIONS	VERTICAL HEADER ASSEMBLY ITEM NO.	PART CHARACTERISTICS FOR VERTICAL HEADER				PACKAGING SPECIFICATIONS																		
		CIRCUIT SIZE	HSG. MAT'L (SEE NOTE 1)	SOLDER TAIL	BOARD LOCK			CIRCUIT SIZE	HSG. MAT'L (SEE NOTE 1)	SOLDER TAIL	BOARD LOCK			CIRCUIT SIZE	HSG. MAT'L (SEE NOTE 1)	SOLDER TAIL	BOARD LOCK																			
C	VERTICAL HEADER ASSEMBLY ITEM NO.	PART CHARACTERISTICS FOR VERTICAL HEADER				PACKAGING SPECIFICATIONS	VERTICAL HEADER ASSEMBLY ITEM NO.	PART CHARACTERISTICS FOR VERTICAL HEADER				PACKAGING SPECIFICATIONS	VERTICAL HEADER ASSEMBLY ITEM NO.	PART CHARACTERISTICS FOR VERTICAL HEADER				PACKAGING SPECIFICATIONS																		
		CIRCUIT SIZE	HSG. MAT'L (SEE NOTE 1)	SOLDER TAIL	BOARD LOCK			CIRCUIT SIZE	HSG. MAT'L (SEE NOTE 1)	SOLDER TAIL	BOARD LOCK			CIRCUIT SIZE	HSG. MAT'L (SEE NOTE 1)	SOLDER TAIL	BOARD LOCK																			
B	VERTICAL HEADER ASSEMBLY ITEM NO.	PART CHARACTERISTICS FOR VERTICAL HEADER				PACKAGING SPECIFICATIONS	VERTICAL HEADER ASSEMBLY ITEM NO.	PART CHARACTERISTICS FOR VERTICAL HEADER				PACKAGING SPECIFICATIONS	VERTICAL HEADER ASSEMBLY ITEM NO.	PART CHARACTERISTICS FOR VERTICAL HEADER				PACKAGING SPECIFICATIONS																		
		CIRCUIT SIZE	HSG. MAT'L (SEE NOTE 1)	SOLDER TAIL	BOARD LOCK			CIRCUIT SIZE	HSG. MAT'L (SEE NOTE 1)	SOLDER TAIL	BOARD LOCK			CIRCUIT SIZE	HSG. MAT'L (SEE NOTE 1)	SOLDER TAIL	BOARD LOCK																			
A	VERTICAL HEADER ASSEMBLY ITEM NO.	PART CHARACTERISTICS FOR VERTICAL HEADER				PACKAGING SPECIFICATIONS	VERTICAL HEADER ASSEMBLY ITEM NO.	PART CHARACTERISTICS FOR VERTICAL HEADER				PACKAGING SPECIFICATIONS	VERTICAL HEADER ASSEMBLY ITEM NO.	PART CHARACTERISTICS FOR VERTICAL HEADER				PACKAGING SPECIFICATIONS																		
		CIRCUIT SIZE	HSG. MAT'L (SEE NOTE 1)	SOLDER TAIL	BOARD LOCK			CIRCUIT SIZE	HSG. MAT'L (SEE NOTE 1)	SOLDER TAIL	BOARD LOCK			CIRCUIT SIZE	HSG. MAT'L (SEE NOTE 1)	SOLDER TAIL	BOARD LOCK																			

<b>SEE SHEET 1</b> IEC NO. UCP2015-5276 DRAWN: MONT CHECKED: BANDERSON APPR: FSMTH DATE: 2015/06/12 DATE: 2015/06/12 DATE: 2015/06/25	<b>QUALITY SYMBOLS</b> ▽=0 ▽=0 ▽=0	<b>GENERAL TOLERANCES (UNLESS SPECIFIED)</b>		<b>DIMENSION STYLE</b> IN/MM		SCALE 1:1	DESIGN UNITS INCH	THIRD ANGLE PROJECTION		
		mm      INCH		DRAWN BY GC	DATE 11/30/195	TITLE SABRE HEADER, ASSY RA & VERT, 2-6 & 8 CIR. .125/(3.18)X .020/(0.51)				
		4 PLACES ±.005 3 PLACES ±.01 2 PLACES ±0.13 ±.01 1 PLACE ±0.25 ±.01 0 PLACE ±.005 ±.01		CHECKED BY KBP	DATE 11/30/195	MATERIAL NO. <b>SEE CHART</b>				DOCUMENT NO. SDA-43160-****
		ANGULAR ±1/2° DRAFT WHERE APPLICABLE MUST REMAIN WITHIN DIMENSIONS		APPROVED BY FSMITH	DATE 2015/06/25	SHEET NO. 2 OF 6				



BOARD LOCK		DIM. "B" ±.004/(0, 10)	
.062		.070/(1.78)	
.094		.102/(2.59)	
.125		.133/(3.38)	

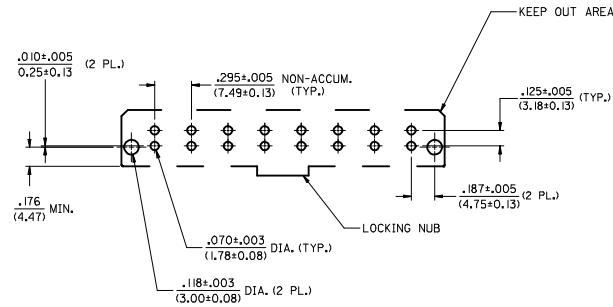
  

SOLDER TAIL		DIM. "A" ±.020/(0, 51)	
SHORT		.150/(3.81)	
LONG		.210/(5.33)	

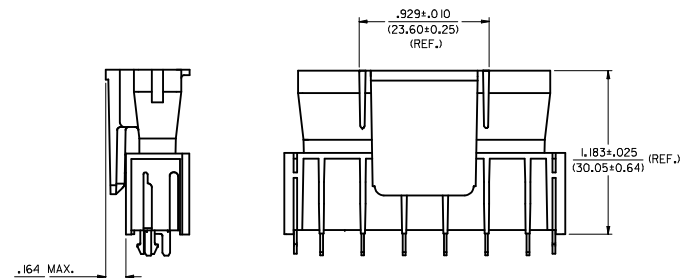
VERTICAL HEADER ASSEMBLY ITEM NO.	PART CHARACTERISTICS FOR VERTICAL HEADER				PACKAGING SPECIFICATIONS
	CIRCUIT SIZE	HSG. MAT'L (SEE NOTE 1)	SOLDER TAIL	BOARD LOCK	
43160-0108	8	A	SHORT	N/A	PK-43160-0010
43160-0308	8	A	LONG	N/A	PK-43789-001
43160-2108	8	A	SHORT	.062	PK-43789-001
43160-4108	8	A	SHORT	.094	PK-43789-001
43160-4308	8	A	LONG	.094	PK-43789-001
43160-6308	8	A	LONG	.125	PK-43789-001

**RECOMMENDED P.C. BOARD LAYOUT FOR VERTICAL HEADERS**

SCALE 2:1



- NOTES:
- INSULATOR MATERIAL (SEE CHART):  
A = 30% GLASS FILLED 46 NYLON, 94V-0, COLOR: BLACK.  
TERMINAL MATERIAL: BRASS
  - TERMINAL FINISH: 60 MICRONS (1.50 MICROMETER) MINIMUM TIN OVER.  
50 MICRONS (1.25 MICROMETER) MINIMUM NICKEL.
  - PRODUCT SPECIFICATION: PSX-44441-9999.
  - PACKAGING: SEE CHART.
  - THESE HEADERS MATE WITH 43179, 43335, OR 44441 RECEPTACLE HOUSING.
  - SEE SHEETS 1, 2 AND 3, FOR VERTICAL HEADER ASSEMBLIES AND THEIR RESPECTIVE PART NUMBERS.
  - SEE SHEETS 4, 5 AND 6, FOR RIGHT ANGLE HEADER ASSEMBLIES AND THEIR RESPECTIVE PART NUMBERS.
  - DIMENSIONS ARE FOR REFERENCE ONLY, UNLESS INDICATED OTHERWISE.

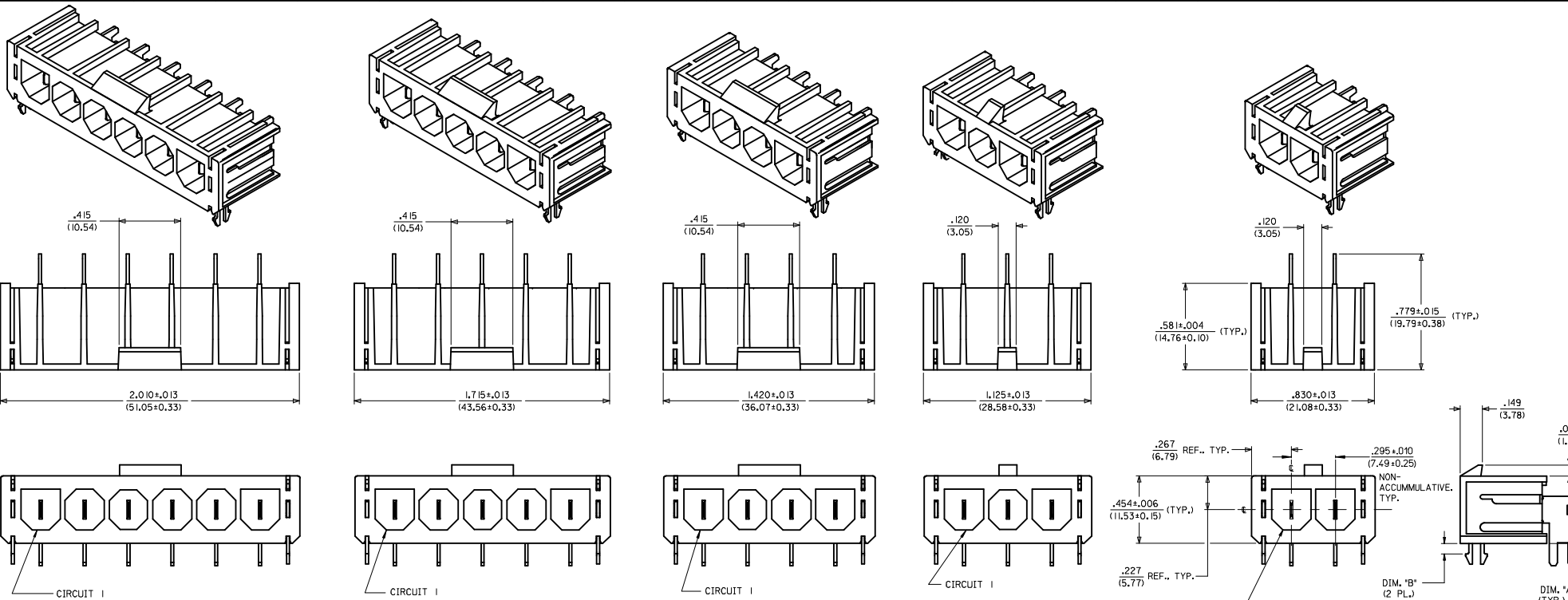


**MATED SABRE CONNECTOR**

NO SCALE

<b>SEE SHEET 1</b> IEC NO. UCP2015-5276 DRAWN BY: CHYK/BANDERSON CHECKED BY: APPR:FSM/TH DATE: 2015/06/12 DATE: 2015/06/12	<b>QUALITY SYMBOLS</b> ∇=0 ∇=0 ∇=0	<b>GENERAL TOLERANCES (UNLESS SPECIFIED)</b> <table border="1"> <thead> <tr> <th></th> <th>mm</th> <th>INCH</th> </tr> </thead> <tbody> <tr> <td>4 PLACES</td> <td>±.005</td> <td>±.005</td> </tr> <tr> <td>3 PLACES</td> <td>±.01</td> <td>±.01</td> </tr> <tr> <td>2 PLACES</td> <td>±0.13</td> <td>±.01</td> </tr> <tr> <td>1 PLACE</td> <td>±0.25</td> <td>±.01</td> </tr> <tr> <td>0 PLACE</td> <td>±.005</td> <td>±.01</td> </tr> </tbody> </table>		mm	INCH	4 PLACES	±.005	±.005	3 PLACES	±.01	±.01	2 PLACES	±0.13	±.01	1 PLACE	±0.25	±.01	0 PLACE	±.005	±.01	<b>DIMENSION STYLE</b> IN/MM DRAWN BY: GC DATE: 11/30/95 CHECKED BY: KBP DATE: 11/30/95 APPROVED BY: FSMITH DATE: 2015/06/12	<b>SCALE</b> 3:1 <b>DESIGN UNITS</b> INCH <b>THIRD ANGLE PROJECTION</b>	<b>TITLE</b> SABRE HEADER, ASSY RA & VERT, 2-6 & 8 CIR. .125/(3.18)X .020/(0.51)
		mm	INCH																				
	4 PLACES	±.005	±.005																				
	3 PLACES	±.01	±.01																				
2 PLACES	±0.13	±.01																					
1 PLACE	±0.25	±.01																					
0 PLACE	±.005	±.01																					
<b>MATERIAL NO.</b> SEE CHART		<b>DOCUMENT NO.</b> SDA-43160-****		<b>SHEET NO.</b> 3 OF 6																			
<b>SIZE D</b> THIS DRAWING CONTAINS INFORMATION THAT IS PROPRIETARY TO MOLEX INCORPORATED AND SHOULD NOT BE USED WITHOUT WRITTEN PERMISSION																							

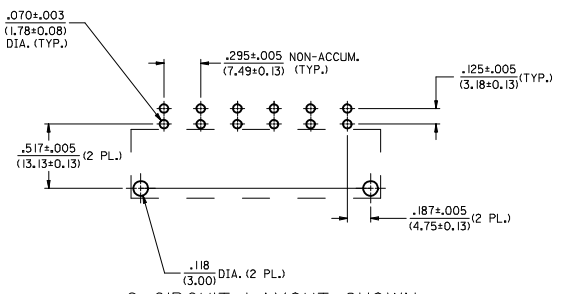
**8 CIRCUIT LAYOUT SHOWN**



SEE SHEET 5 AND 6 FOR ITEM NUMBER CHART

RECOMMENDED P.C. BOARD LAYOUT FOR RIGHT ANGLE HEADERS

SCALE 2:1



6 CIRCUIT LAYOUT SHOWN

- NOTES:**
- INSULATOR MATERIAL (SEE CHART):  
A = 30% GLASS-FILLED 46 NYLON, 94V-0, COLOR: BLACK  
TERMINAL MATERIAL: BRASS
  - TERMINAL FINISH: 60 MICRON (1.50 MICROMETER) MINIMUM TIN OVER  
50 MICRON (1.25 MICROMETER) MINIMUM NICKEL.
  - PRODUCT SPECIFICATION: PSX-44441-9999.
  - PACKAGING: SEE CHART.
  - THESE HEADERS MATE WITH 43179, 43335, OR 44441 RECEPTACLE HOUSINGS.
  - SEE SHEETS 1, 2 AND 3 FOR VERTICAL HEADER ASSEMBLIES AND THEIR RESPECTIVE PART NUMBERS.
  - SEE SHEETS 4, 5 AND 6 FOR RIGHT ANGLE HEADER ASSEMBLIES AND THEIR RESPECTIVE PART NUMBERS.
  - DIMENSIONS ARE FOR REFERENCE ONLY UNLESS INDICATED OTHERWISE.

SOLDER TAIL	DIM. "A" ±.01/(0.28)
SHORT	.150/(3.81)
LONG	.210/(5.33)

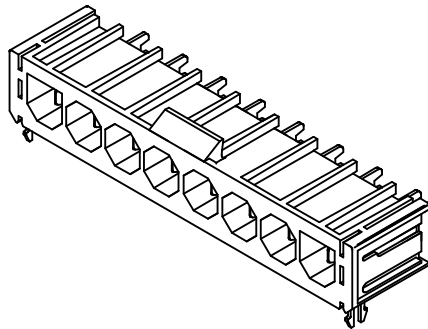
BOARD LOCK	DIM. "B" ±.004/(0.10)
.062	.070/(1.78)
.094	.102/(2.59)
.125	.133/(3.38)

<b>SEE SHEET 1</b> IEC NO. UCP2015-5276 DRAWN/MONT CHYK/BANDERSON APPROV/FSMITH REV DESCRIPTION	QUALITY SYMBOLS ▽=0 ▽=0 ▽=0	GENERAL TOLERANCES (UNLESS SPECIFIED) mm INCH 4 PLACES ±.005 ±.005 3 PLACES ±.01 ±.01 2 PLACES ±0.13 ±.01 1 PLACE ±0.25 ±.01 0 PLACE ±.005 ±.005	DIMENSION STYLE IN/MM DRAWN BY DATE GC 11/30/95 CHECKED BY DATE KBP 11/30/95 APPROVED BY DATE FSMITH 2015/06/25	SCALE 3:1 DESIGN UNITS INCH THIRD ANGLE PROJECTION
	MATERIAL NO. SEE CHART DOCUMENT NO. SDA-43160-****		TITLE SABRE HEADER, ASSY RA & VERT, 2-6 & 8 CIR. .125/(3.18) X .020/(0.51)	
	DRAFT WHERE APPLICABLE MUST REMAIN WITHIN DIMENSIONS		SHEET NO. 4 OF 6	
	THIS DRAWING CONTAINS INFORMATION THAT IS PROPRIETARY TO MOLEX INCORPORATED AND SHOULD NOT BE USED WITHOUT WRITTEN PERMISSION			

RT. ANGLE HEADER ASSEMBLY ITEM NO.	PART CHARACTERISTICS FOR RIGHT ANGLE HEADER				PACKAGING SPECIFICATIONS	RT. ANGLE HEADER ASSEMBLY ITEM NO.	PART CHARACTERISTICS FOR RIGHT ANGLE HEADER				PACKAGING SPECIFICATIONS	VOID CIRCUIT NUMBER(S)
	CIRCUIT SIZE	HSG. MAT'L (SEE NOTE 1)	SOLDER TAIL	BOARD LOCK			CIRCUIT SIZE	HSG. MAT'L (SEE NOTE 1)	SOLDER TAIL	BOARD LOCK		
43160-1102	2	A	SHORT	N/A	PK-43160-0010	43160-1104	4	A	SHORT	N/A	PK-43160-0010	-
43160-1302	2	A	LONG	N/A	PK-43789-001	43160-1304	4	A	LONG	N/A	PK-43789-001	-
43160-3102	2	A	SHORT	.062	PK-43789-001	43160-3104	4	A	SHORT	.062	PK-43789-001	-
43160-5102	2	A	SHORT	.094	PK-43789-001	43160-5104	4	A	SHORT	.094	PK-43789-001	-
43160-5302	2	A	LONG	.094	PK-43789-001	43160-5304	4	A	LONG	.094	PK-43789-001	-
43160-7302	2	A	LONG	.125	PK-43789-001	43160-7304	4	A	LONG	.125	PK-43789-001	-
43160-1103	3	A	SHORT	N/A	PK-43160-0010	43160-1105	5	A	SHORT	N/A	PK-43160-0010	-
43160-1303	3	A	LONG	N/A	PK-43789-001	43160-1305	5	A	LONG	N/A	PK-43789-001	-
43160-3103	3	A	SHORT	.062	PK-43789-001	43160-3105	5	A	SHORT	.062	PK-43789-001	-
43160-5103	3	A	SHORT	.094	PK-43789-001	43160-5105	5	A	SHORT	.094	PK-43789-001	-
43160-5303	3	A	LONG	.094	PK-43789-001	43160-5305	5	A	LONG	.094	PK-43789-001	-
43160-7303	3	A	LONG	.125	PK-43789-001	43160-7305	5	A	LONG	.125	PK-43789-001	-
						43160-9001	4	A	SHORT	.062	PK-43789-001	2

RT. ANGLE HEADER ASSEMBLY ITEM NO.	PART CHARACTERISTICS FOR RIGHT ANGLE HEADER				PACKAGING SPECIFICATIONS
	CIRCUIT SIZE	HSG. MAT'L (SEE NOTE 1)	SOLDER TAIL	BOARD LOCK	
43160-1106	6	A	SHORT	N/A	PK-43160-0010
43160-1306	6	A	LONG	N/A	PK-43789-001
43160-3106	6	A	SHORT	.062	PK-43789-001
43160-5106	6	A	SHORT	.094	PK-43789-001
43160-5306	6	A	LONG	.094	PK-43789-001
43160-7306	6	A	LONG	.125	PK-43789-001

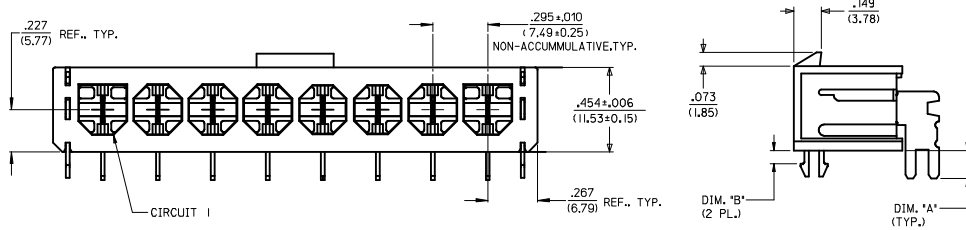
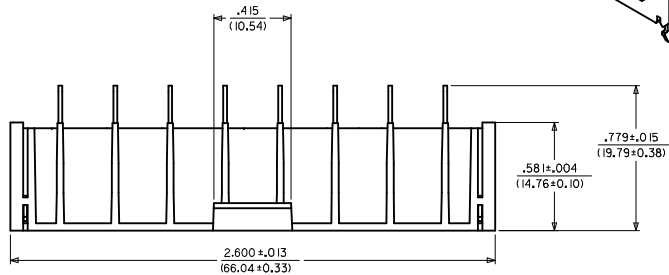
<b>SEE SHEET 1</b> IEC NO: UCP2015-5276 DRAWN: MONTI 2015/06/12 CHECKED: BANDERSON 2015/06/12 APPROVED: FSMITH 2015/06/25	QUALITY SYMBOLS	GENERAL TOLERANCES (UNLESS SPECIFIED)	DIMENSION STYLE	SCALE	DESIGN UNITS	THIRD ANGLE PROJECTION
	▽=0	mm INCH	IN/MM	1:1	INCH	
	▽=0	4 PLACES ±.005	DRAWN BY DATE	GC 11/30/95	TITLE	
	▽=0	3 PLACES ±.01	CHECKED BY DATE	KBP 11/30/95	SABRE HEADER, ASSY RA & VERT, 2-6 & 8 CIR. .125/(3.18)X .020/(0.51)	
	ANGULAR ±1/2°	1 PLACE ±0.25	APPROVED BY DATE	FSMITH 2015/06/25	MATERIAL NO. DOCUMENT NO.	
	DRAFT WHERE APPLICABLE MUST REMAIN WITHIN DIMENSIONS	0 PLACE ±.005	DATE		SEE CHART SDA-43160-****	
			SIZE	D	THIS DRAWING CONTAINS INFORMATION THAT IS PROPRIETARY TO MOLEX INCORPORATED AND SHOULD NOT BE USED WITHOUT WRITTEN PERMISSION	



BOARD LOCK	DIM. "B" ±.004/(0.10)
.062	.070/(1.78)
.094	.102/(2.59)
.125	.133/(3.38)

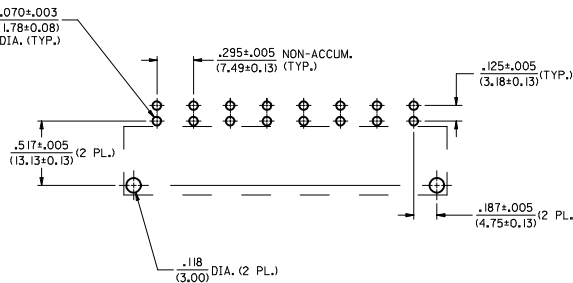
SOLDER TAIL	DIM. "A" ±.011/(0.28)
SHORT	.150/(3.81)
LONG	.210/(5.33)

RT. ANGLE HEADER ASSEMBLY ITEM NO.	PART CHARACTERISTICS FOR RIGHT ANGLE HEADER				PACKAGING SPECIFICATIONS
	CIRCUIT SIZE	HSG. MAT'L (SEE NOTE 1)	SOLDER TAIL	BOARD LOCK	
43160-1108	8	A	SHORT	N/A	PK-43160-0010
43160-1308	8	A	LONG	N/A	PK-43789-001
43160-3108	8	A	SHORT	.062	PK-43789-001
43160-5108	8	A	SHORT	.094	PK-43789-001
43160-5308	8	A	LONG	.094	PK-43789-001
43160-7308	8	A	LONG	.125	PK-43789-001



**RECOMMENDED P.C. BOARD LAYOUT FOR RIGHT ANGLE HEADERS**

SCALE 2:1



8 CIRCUIT LAYOUT SHOWN

**NOTES:**

- INSULATOR MATERIAL (SEE CHART):  
A = 30% GLASS FILLED 46 NYLON, 94V-0, COLOR: BLACK.
- TERMINAL MATERIAL: BRASS
- TERMINAL FINISH: 60 MICRINCH (1.50 MICROMETER) MINIMUM TIN OVER 50 MICRINCH (1.25 MICROMETER) MINIMUM NICKEL.
- PRODUCT SPECIFICATION: PSX-44441-9999.
- PACKAGING: SEE CHART.
- THESE HEADERS MATE WITH 43179, 43335, OR 44441 RECEPTACLE HOUSINGS.
- SEE SHEETS 1, 2 AND 3, FOR VERTICAL HEADER ASSEMBLIES AND THEIR RESPECTIVE PART NUMBERS.
- SEE SHEETS 4, 5 AND 6, FOR RIGHT ANGLE HEADER ASSEMBLIES AND THEIR RESPECTIVE PART NUMBERS.
- DIMENSIONS ARE FOR REFERENCE ONLY, UNLESS INDICATED OTHERWISE.

<b>SEE SHEET 1</b> IEC NO. UCP2015-5276 DRAWN: MONTI 2015/06/12 CHECKED: BANDERSON 2015/06/12 APPROVED: FSMITH 2015/06/25 REV DESCRIPTION	<b>QUALITY SYMBOLS</b> ▽=0 ▽=0 ▽=0		<b>GENERAL TOLERANCES (UNLESS SPECIFIED)</b> <table border="1"> <thead> <tr> <th></th> <th>mm</th> <th>INCH</th> </tr> </thead> <tbody> <tr> <td>4 PLACES</td> <td>±.005</td> <td>±.0005</td> </tr> <tr> <td>3 PLACES</td> <td>±.013</td> <td>±.01</td> </tr> <tr> <td>2 PLACES</td> <td>±.025</td> <td>±.005</td> </tr> <tr> <td>1 PLACE</td> <td>±.050</td> <td>±.010</td> </tr> <tr> <td>0 PLACE</td> <td>±.100</td> <td>±.020</td> </tr> </tbody> </table>			mm	INCH	4 PLACES	±.005	±.0005	3 PLACES	±.013	±.01	2 PLACES	±.025	±.005	1 PLACE	±.050	±.010	0 PLACE	±.100	±.020	<b>DIMENSION STYLE</b> IN/MM DRAWN BY DATE GC 11/30/95 CHECKED BY DATE KBP 11/30/95 APPROVED BY DATE FSMITH 2015/06/25		<b>SCALE</b> 3:1 <b>DESIGN UNITS</b> INCH <b>THIRD ANGLE PROJECTION</b>	
		mm	INCH																							
4 PLACES	±.005	±.0005																								
3 PLACES	±.013	±.01																								
2 PLACES	±.025	±.005																								
1 PLACE	±.050	±.010																								
0 PLACE	±.100	±.020																								
<b>DRAFT WHERE APPLICABLE MUST REMAIN WITHIN DIMENSIONS</b>			<b>MATERIAL NO.</b> SEE CHART		<b>DOCUMENT NO.</b> SDA-43160-****		<b>SHEET NO.</b> 6 OF 6																			

**molex**  
 THIS DRAWING CONTAINS INFORMATION THAT IS PROPRIETARY TO MOLEX INCORPORATED AND SHOULD NOT BE USED WITHOUT WRITTEN PERMISSION