

Number of contacts

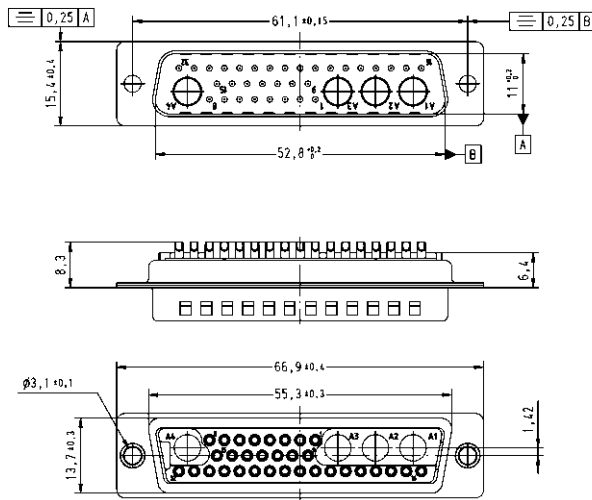
36



Mixed shells with pre-mounted signal solder cup contacts

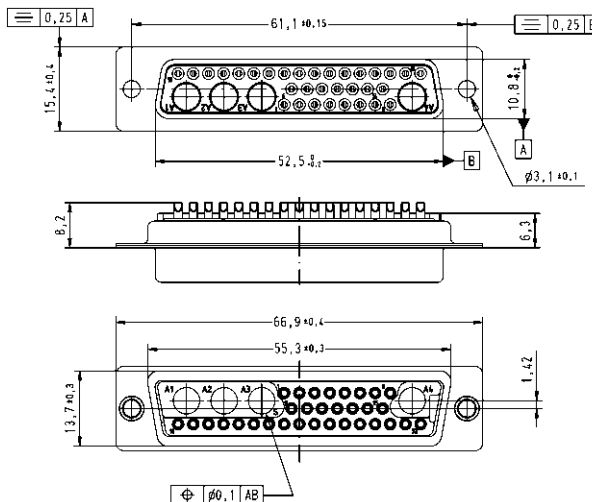
Identification	No. of contacts ¹⁾	Part No.	
		male connectors	female connectors
	36W4	Performance level 3	S4 ²⁾
		09 69 511 7364	09 69 511 5364
		Performance level 3	S4 ²⁾
		09 69 501 7364	09 69 501 5364

Male connectors



Solder cup termination for AWG 20 (0.5 mm²)

Female connectors



Solder cup termination for AWG 20 (0.5 mm²)

¹⁾ Explanations see page 66
²⁾ S4: ≥ 0.76 μm Au

Order special contacts separately. See pages 84 ff.