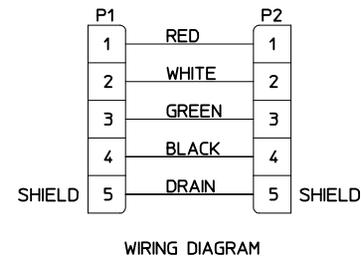
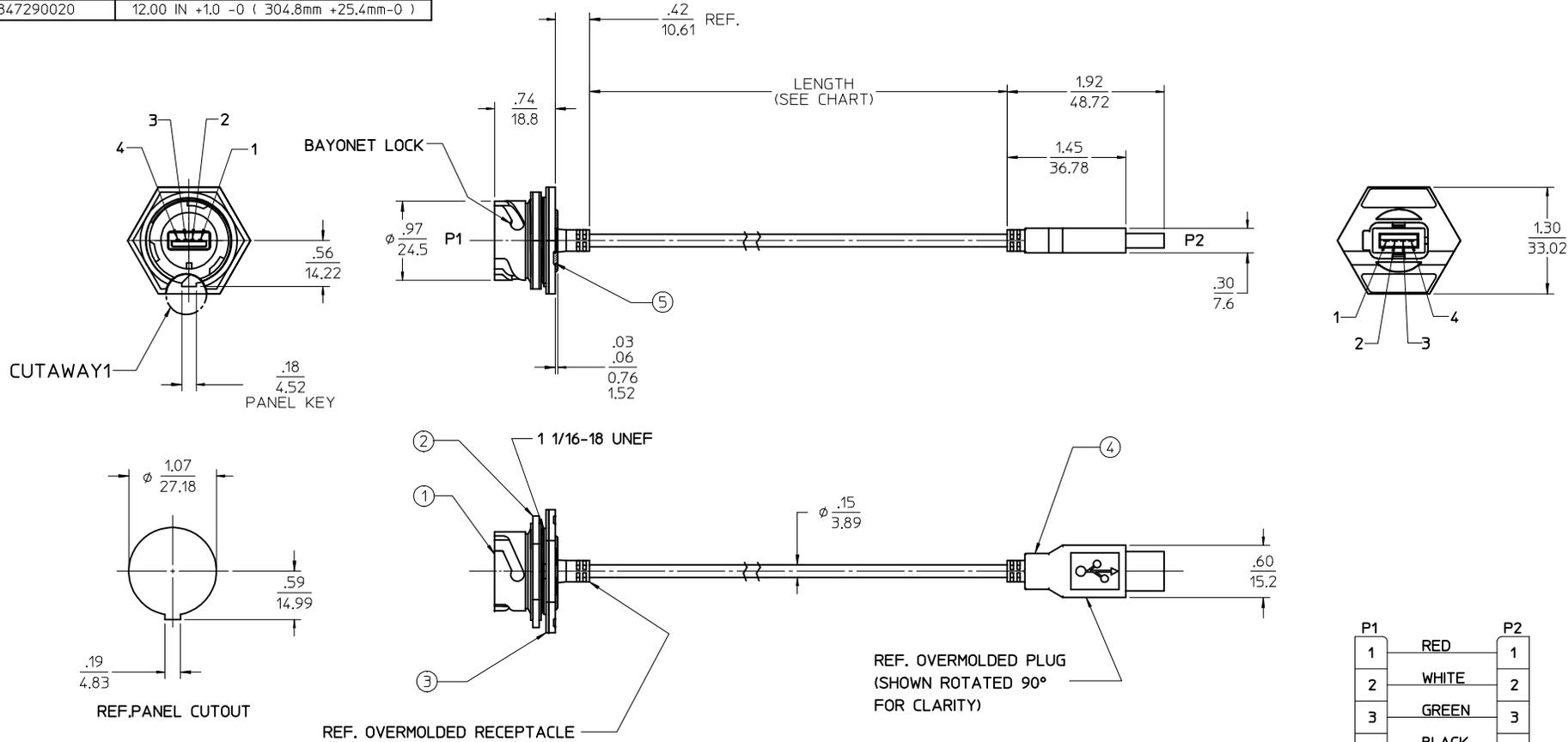


MATERIAL NO.	LENGTH
847290003	6.00 IN +.47 -0 (152.0mm +12mm-0)
847290004	31.88 IN +1.00-0 (810.0mm +25.4mm-0)
847290005	51.57 IN +1.00-0 (1310.0mm +25.4mm-0)
847290006	81.89 IN +1.57-0 (2080.0mm +40.0mm-0)
847290007	131.10 IN +3.15-0 (3330mm +80.0mm-0)
847290008	196.90 IN +3.94-0 (5000mm +100.0mm-0)
847290011	3.00 IN +.47 -0 (76.2mm +12mm-0)
847290020	12.00 IN +1.0 -0 (304.8mm +25.4mm-0)



- NOTES:
- MATERIAL: SEE TABLE
 - FINISHES: SEE TABLE
 - CABLE MATERIAL:
OVERMOLD & JACKET: PVC
SHELL: PHOSPHOR BRONZE, NI PLATED
CONTACTS: PHOSPHOR BRONZE, GOLD PLATED
WIRE: 28 AWG
 - ASSEMBLY IS RoHS COMPLIANT

ITEM	QTY.	DESCRIPTION	MATERIAL	FINISH
5	A/R	POTTING COMPOUND	EPOXY	BLACK
4	1	USB-A CABLE SUB-ASSEMBLY, SHIELDED	AS NOTED	AS NOTED
3	1	PANEL GASKET	NEOPRENE	BLACK
2	1	LOCKNUT	NYLON PA66, UL94HB	BLACK
1	1	RECEPTACLE HOUSING	PBT, UL94 V-0	BLACK

MAT'L ERROR ON BOM EC NO: IFC2014-0554 DRWNR:RUPERT 2013/09/19 CHKD: APPR:BMWOODMAN 2013/09/20	QUALITY SYMBOLS $\nabla=0$ $\nabla=0$	GENERAL TOLERANCES (UNLESS SPECIFIED) <table border="1"> <thead> <tr> <th></th> <th>mm</th> <th>INCH</th> </tr> </thead> <tbody> <tr> <td>4 PLACES</td> <td>± .005</td> <td>± .0005</td> </tr> <tr> <td>3 PLACES</td> <td>± .005</td> <td>± .0005</td> </tr> <tr> <td>2 PLACES</td> <td>± .005</td> <td>± .001</td> </tr> <tr> <td>1 PLACE</td> <td>± 0.25</td> <td>± .010</td> </tr> </tbody> </table>		mm	INCH	4 PLACES	± .005	± .0005	3 PLACES	± .005	± .0005	2 PLACES	± .005	± .001	1 PLACE	± 0.25	± .010	DIMENSION STYLE IN/MM	SCALE 1:1	DESIGN UNITS INCH	THIRD ANGLE PROJECTION
			mm	INCH																	
4 PLACES	± .005	± .0005																			
3 PLACES	± .005	± .0005																			
2 PLACES	± .005	± .001																			
1 PLACE	± 0.25	± .010																			
DRAFT WHERE APPLICABLE MUST REMAIN WITHIN DIMENSIONS	SEE CHART	DRAWN BY R.STONE	DATE 2007/02/15	TITLE USB-A CORD ASSEMBLY PLUG & RECEPTACLE	MOLEX INCORPORATED	SHEET NO. 1 OF 1															

THIS DRAWING CONTAINS INFORMATION THAT IS PROPRIETARY TO MOLEX INCORPORATED AND SHOULD NOT BE USED WITHOUT WRITTEN PERMISSION