

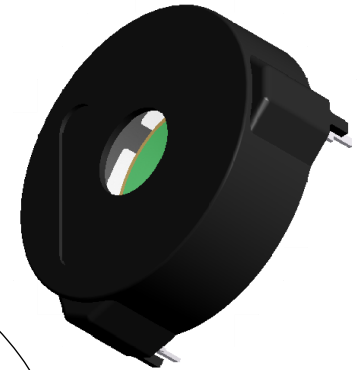
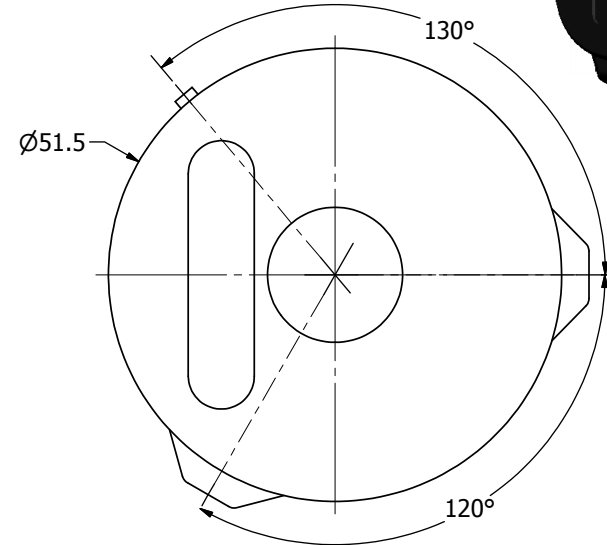
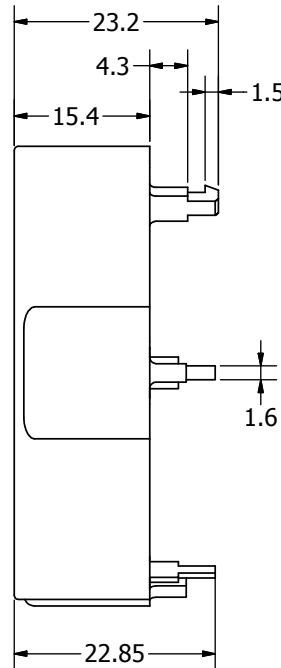
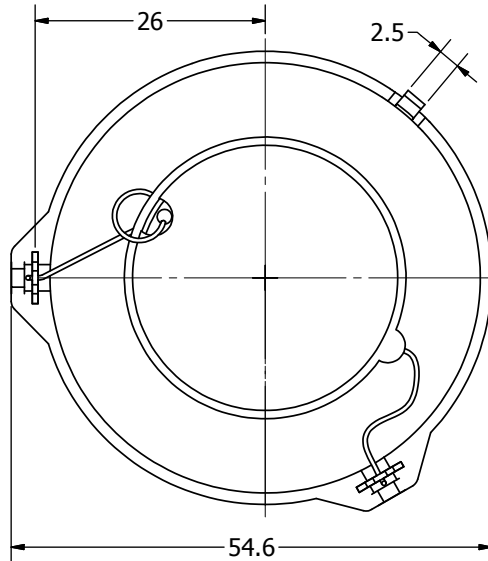
SPECIFICATIONS

PARAMETERS	VALUES	UNITS
RATED VOLTAGE	18	Vp-p
OPERATING VOLTAGE RANGE	1 ~ 60	Vp-p
RATED CURRENT (MAX)	10	mA
CAPACITANCE	120,000 ± 30%	pF
MINIMUM SPL @ 10 CM	105	dB
RESONANT FREQUENCY	1,000 ± 200	Hz
OPERATING TEMPERATURE	-40 ~ +105	°C
STORAGE TEMPERATURE	-40 ~ +105	°C
HOUSING MATERIAL	PA6	-
TERMINAL MATERIAL	Sn PLATED COPPER	-
WEIGHT	14	grams

THIS DOCUMENT CONTAINS DATA PROPRIETARY TO PROJECTS UNLIMITED, INC. ANY USE OR REPRODUCTION, IN ANY FORM, WITHOUT PRIOR WRITTEN PERMISSION OF PROJECTS UNLIMITED, INC. IS PROHIBITED.
©2003, Projects Unlimited Inc.


REVISION HISTORY

LTR	DESCRIPTION	DATE	APPROVED
-	RELEASED FROM ENGINEERING	11/22/2006	
A	REVISED TO INVENTOR 3-D DRAWING TEMPLATE	10/6/2008	B.R.
B	ADDED RATED CURRENT (MAX)	12/17/10	B.R.



NOTES:

1. ALL DIMENSIONS ARE IN MILLIMETERS.
2. SPECIFICATIONS SUBJECT TO CHANGE OR WITHDRAWAL WITHOUT NOTICE.
3. THIS PART IS RoHS 2002/95/EC COMPLIANT.

UNLESS OTHERWISE SPECIFIED: DIMENSIONS ARE IN MILLIMETERS, TOLERANCES ARE ±0.5 AND ANGLES ARE ±3°.	SIZE A3	Designed by	Date	Checked by	Date	Approved by	Date	Drawn Date
		J.D.	11/22/2006	D.F.	11/22/2006	R.W.	11/22/2006	10/6/2008
AT-5210-TT-R.idw		 pui audio A Division of Projects Unlimited				AT-5210-TT-R		
Transducer (Piezo)						Edition	Sheet	
						-	1 / 1	

Mouser Electronics

Authorized Distributor

Click to View Pricing, Inventory, Delivery & Lifecycle Information:

[PUI Audio:](#)

[AT-5210-TT-R](#)