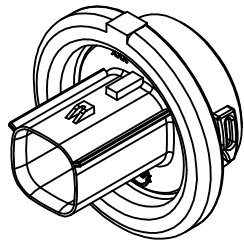
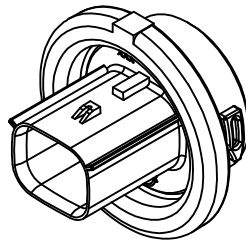


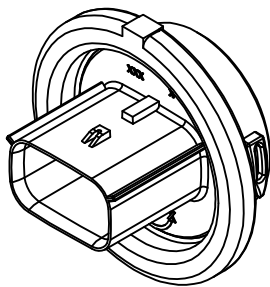
TABLE OF CONTENTS	
SHEET NO.	SHEET DESCRIPTION
1	NOTES
2	BOM
3	6/8 CKT KEY OPTION CONFIGURATIONS
4	12/16 CKT KEY OPTION CONFIGURATIONS
5	BULKHEAD CONNECTOR
6	6/8 CKT BULKHEAD CONNECTOR INTERFACE
7	6/8 CKT BULKHEAD CONNECTOR INTERFACE
8	12/16 CKT BULKHEAD CONNECTOR INTERFACE
9	12/16 CKT BULKHEAD CONNECTOR INTERFACE



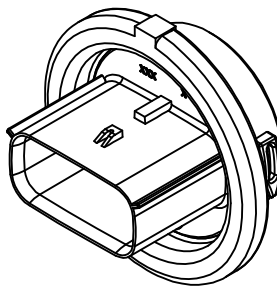
6 CIRCUIT



8 CIRCUIT



12 CIRCUIT



16 CIRCUIT

NOTES: VALID UNLESS OTHERWISE SPECIFIED

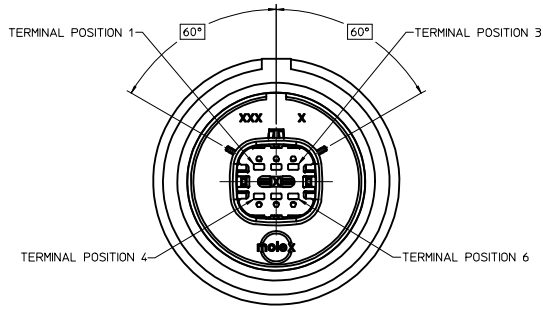
1. GENERAL:
 - a. APPLICATION SPECIFICATION SEE: AS-34840-001
 - CONTAINS: PRODUCT INTRODUCTION, PRODUCT SUMMARY, CONNECTOR ASSEMBLY, PACKAGING INFORMATION, CONNECTOR MATING, SERVICE INSTRUCTIONS, ELECTRICAL CONTINUITY CHECKING, CRIMPING, AND TROUBLESHOOTING.
 - DESIGNED TO MATE WITH RECEPTACLE HOUSING ASSEMBLY AS SPECIFIED IN DRAWING XXXX
 - FOR 1.5mm BLADE TERMINALS TO BE USED WITH THIS ASSEMBLY. SEE MOLEX DRAWING SD-33000-001.
 - SYSTEM TO BE USED WITH WIRE WITHIN DIAMETER RANGE OF TBD TO TBD.
 - ASSEMBLY SHIPPED WITH PLR IN PRE-LOCK POSITION (SEE SECTION A-A PRE-LOCK).
 - IN THE EVENT THAT THE PLR IS FOUND IN THE SEATED (FINAL LOCK) POSITION, REFER TO MOLEX SPECIFICATION PS-34646-001, AVAILABLE AT www.molex.com <<http://www.molex.com>>.
 - b. PRODUCT SPECIFICATION SEE: PS-34840-001
 - CONTAINS: PRODUCT INTRODUCTION, PRODUCT SUMMARY, RATINGS (CURRENT, TEMPERATURE, SEALING, AND FLAMMABILITY), AND PRODUCT VALIDATION.
 - c. PACKAGING SPECIFICATION PER MOLEX DRAWING: PK-31301-615
 - d. PARTS MUST BE IN COMPLIANCE TO MOLEX CHEMICAL SUBSTANCES FOR PRODUCTS AND PACKAGING SPECIFICATION: ES-40000-5016
 - e. DATA MUST BE SUBMITTED UNDER THE MOLEX PART NUMBER TO IMDS (COMPANY ID#13255)
2. DESIGN - MATERIALS:
 - a. SEE BOM TABLE
3. DESIGN - GEOMETRY:
 - a. THIS IS A 100% CAD GENERATED PART. THE CAD MATHEMATICAL DATA IS THE MASTER FOR THIS PART. FOR DIMENSIONAL OR ANY INFORMATION NOT SHOWN ON THIS DRAWING, ANALYZE THE CAD MODEL.
 - b. GEOMETRIC DIMENSIONS AND TOLERANCES PER ASME Y14.5M - 2009
 - c. EDGES AND UNDIMENSIONED DETAILS PER ISO13715
 - d. CORNERS SHOWN AS SHARP TO BE R 0.2 MAX.
 - e. LETTERING SHALL BE 0.15 MAX RAISED IN 0.25 MAX RECESS PAD. THIS INCLUDES RECYCLING CODE, CAVITY ID, VENDOR IDENTIFICATION, AND CUSTOMER MATERIAL NUMBER.
 - f. VISUAL DEFECTS SHALL MEET COSMETIC STANDARD PS-45499-002 (Class B) CAD MODEL.
 - g. LASER MARKING: TBD

B3	UPDATED PART STATUS
B2	ADDED BASIC DIMENSION ON 6/8 CKT ICD
B1	UPDATED 12/16 CKT PART STATUS
B	ADDED NOTE 4
A	OK TO TOOL 6 & 8 CKT
4	ADDED 6/8 CKT PER CP1E UPDATES
3	UPDATED FORMAT
2	DESIGN RELEASE
1	QUOTE ONLY
REV	DESCRIPTION

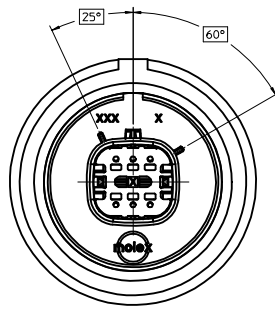
INSPECTION BALLOON NUMBER LOG																																											
PER DRAWING REVISION: B3																																											
LAST BALLOON NUMBER USED: 30																																											
ADDED BALLOON NUMBERS:																																											
REMOVED BALLOON NUMBERS: NONE																																											
SEE REV. COLUMN ELEC NO. UAU2013-0858 DRAWN/DLCK CHKD: APPR:VKOSHY	<table border="1"> <thead> <tr> <th>QUALITY SYMBOLS</th> <th>GENERAL TOLERANCES (UNLESS SPECIFIED)</th> <th>DIMENSION STYLE</th> <th>SCALE</th> <th>DESIGN UNITS</th> <th>THIRD ANGLE PROJECTION</th> </tr> </thead> <tbody> <tr> <td>▽=0</td> <td>4 PLACES ± --- ± ---</td> <td>MM ONLY</td> <td>2:1</td> <td>METRIC</td> <td></td> </tr> <tr> <td>▽=0</td> <td>3 PLACES ± --- ± ---</td> <td>INCH</td> <td></td> <td></td> <td></td> </tr> <tr> <td>▽=0</td> <td>2 PLACES ± 0.10 ± ---</td> <td></td> <td></td> <td></td> <td></td> </tr> <tr> <td>▽=0</td> <td>1 PLACE ± 0.20 ± ---</td> <td></td> <td></td> <td></td> <td></td> </tr> <tr> <td></td> <td>ANGULAR ± 3 °</td> <td></td> <td></td> <td></td> <td></td> </tr> <tr> <td></td> <td>DRAFT WHERE APPLICABLE MUST REMAIN WITHIN DIMENSIONS</td> <td></td> <td></td> <td></td> <td></td> </tr> </tbody> </table>	QUALITY SYMBOLS	GENERAL TOLERANCES (UNLESS SPECIFIED)	DIMENSION STYLE	SCALE	DESIGN UNITS	THIRD ANGLE PROJECTION	▽=0	4 PLACES ± --- ± ---	MM ONLY	2:1	METRIC		▽=0	3 PLACES ± --- ± ---	INCH				▽=0	2 PLACES ± 0.10 ± ---					▽=0	1 PLACE ± 0.20 ± ---						ANGULAR ± 3 °						DRAFT WHERE APPLICABLE MUST REMAIN WITHIN DIMENSIONS				
QUALITY SYMBOLS	GENERAL TOLERANCES (UNLESS SPECIFIED)	DIMENSION STYLE	SCALE	DESIGN UNITS	THIRD ANGLE PROJECTION																																						
▽=0	4 PLACES ± --- ± ---	MM ONLY	2:1	METRIC																																							
▽=0	3 PLACES ± --- ± ---	INCH																																									
▽=0	2 PLACES ± 0.10 ± ---																																										
▽=0	1 PLACE ± 0.20 ± ---																																										
	ANGULAR ± 3 °																																										
	DRAFT WHERE APPLICABLE MUST REMAIN WITHIN DIMENSIONS																																										
DATE: 2012/12/14	DRAWN BY: MDLCK DATE: 2011/11/22																																										
DATE: 2011/11/22	CHECKED BY: MYANSLAMBROU DATE: 2011/11/22																																										
APPROVED BY: DATE:	APPROVED BY: DATE:																																										
MATERIAL NO. SEE TABLE	MOLEX MOLEX INCORPORATED																																										
DOCUMENT NO. SD-34840-001	SHEET NO. 1 OF 9																																										
THIS DRAWING CONTAINS INFORMATION THAT IS PROPRIETARY TO MOLEX INCORPORATED AND SHOULD NOT BE USED WITHOUT WRITTEN PERMISSION																																											

6 CIRCUIT CONFIGURATIONS

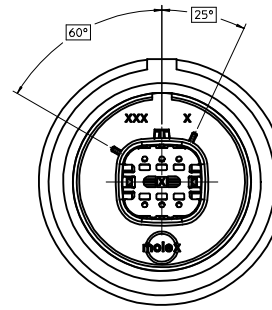
6/8 CKT KEY OPTION CONFIGURATIONS



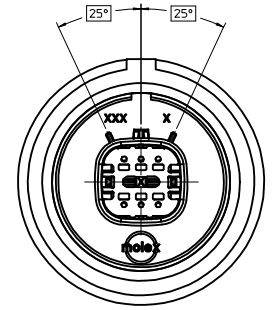
KEY OPTION A



KEY OPTION B

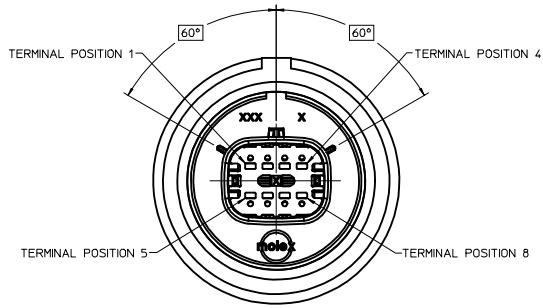


KEY OPTION C

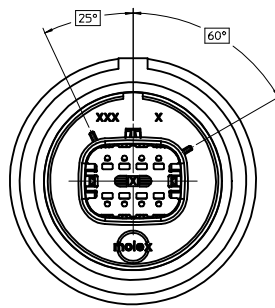


KEY OPTION D

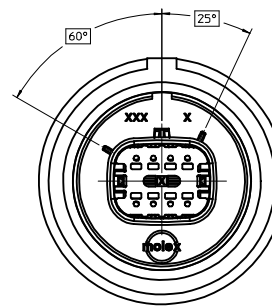
8 CIRCUIT CONFIGURATIONS



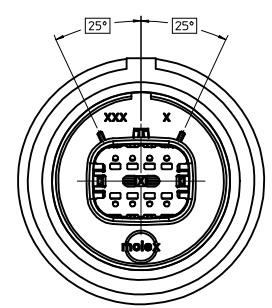
KEY OPTION A



KEY OPTION B



KEY OPTION C

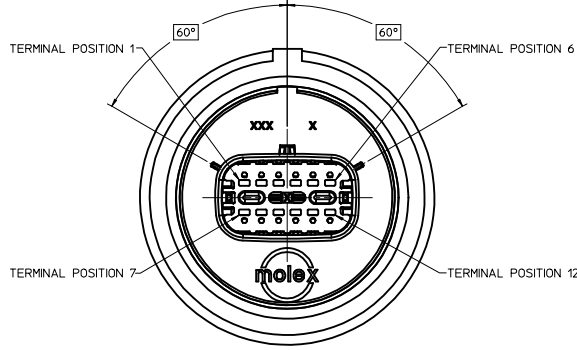


KEY OPTION D

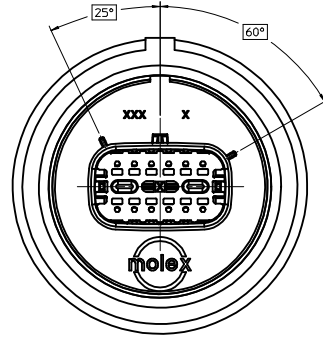
SEE REV. COLUMN EC NO. UAU2013-0858 DRAWN BY MD LCK CHKD: APPR: VKOSHY 2012/12/14	QUALITY SYMBOLS	GENERAL TOLERANCES (UNLESS SPECIFIED)		DIMENSION STYLE	SCALE	DESIGN UNITS	THIRD ANGLE PROJECTION
	▽=0	mm	INCH	MM ONLY	2:1	METRIC	
	▽=0	4 PLACES ± ---	± ---	DRAWN BY	DATE	TITLE	
	▽=0	3 PLACES ± ---	± ---	MD LCK	2011/11/22	MX150 DUAL ROW BULKHEAD TWIST-LOCK CONNECTOR ASSEMBLY	
	2 PLACES ± 0.10	± ---	CHECKED BY	DATE	MOLEX INCORPORATED		
	1 PLACE ± 0.20	± ---	MYANSLAMBROU	2011/11/22	MATERIAL NO.		DOCUMENT NO.
	ANGULAR ± 3°	DRAFT WHERE APPLICABLE MUST REMAIN WITHIN DIMENSIONS		APPROVED BY	DATE	SEE TABLE	SD-34840-001
				SIZE	D	THIS DRAWING CONTAINS INFORMATION THAT IS PROPRIETARY TO MOLEX INCORPORATED AND SHOULD NOT BE USED WITHOUT WRITTEN PERMISSION	

12 CIRCUIT CONFIGURATIONS

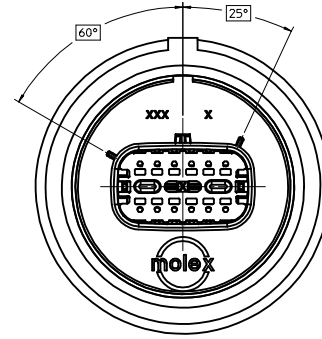
12/16 CKT KEY OPTION CONFIGURATIONS



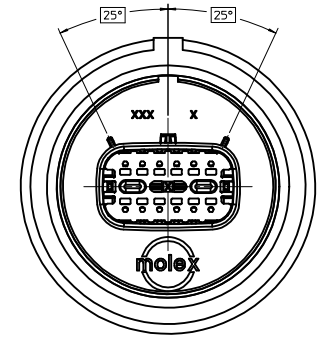
KEY OPTION A



KEY OPTION B

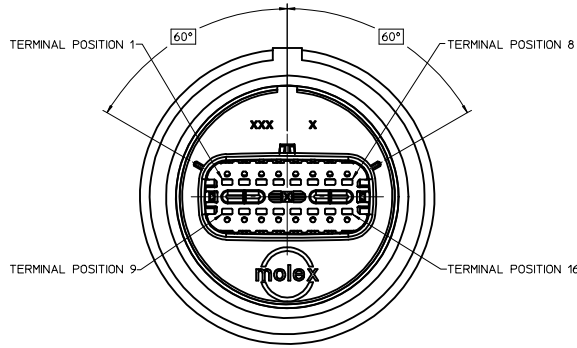


KEY OPTION C

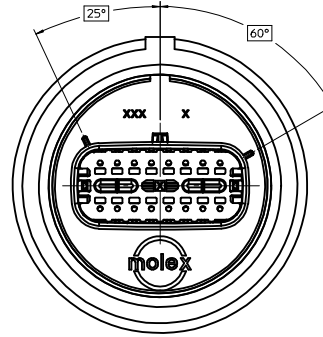


KEY OPTION D

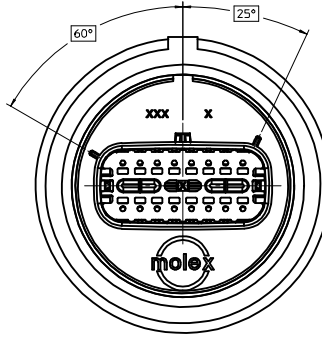
16 CIRCUIT CONFIGURATIONS



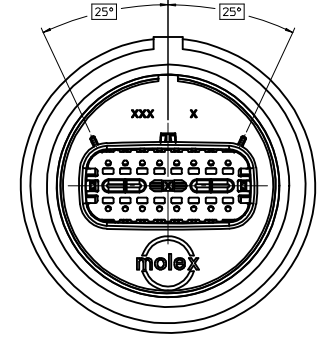
KEY OPTION A



KEY OPTION B



KEY OPTION C

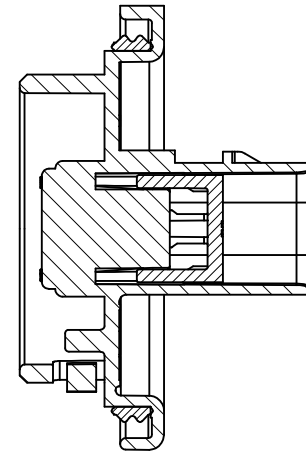
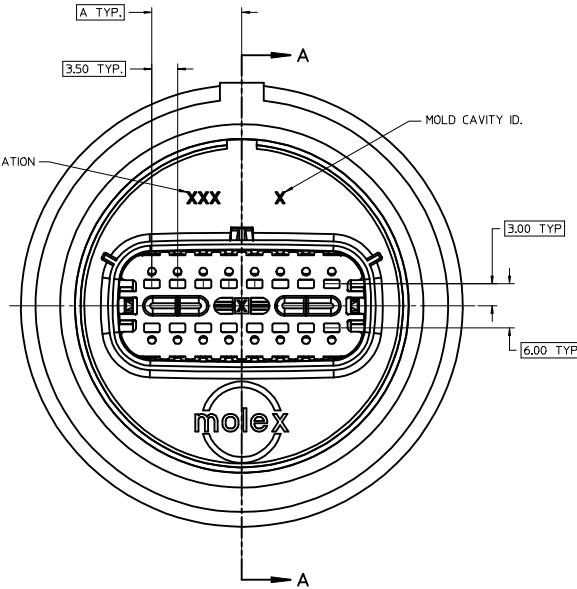
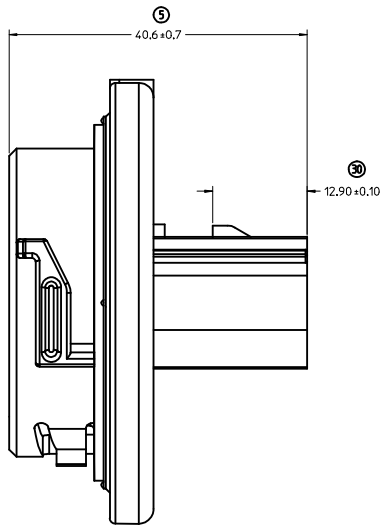


KEY OPTION D

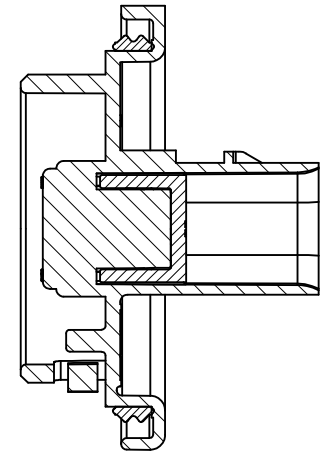
SEE REV. COLUMN DEC NO. UAU2013-0858 DRAWN/DICK CHKD: APPR:VKOSHY 2012/12/14	QUALITY SYMBOLS	GENERAL TOLERANCES (UNLESS SPECIFIED)		DIMENSION STYLE	SCALE	DESIGN UNITS	THIRD ANGLE PROJECTION
	▽=0	mm	INCH	MM ONLY	2:1	METRIC	
	▽=0	4 PLACES ± .005	± .005	DRAWN BY	DATE	TITLE	
	▽=0	3 PLACES ± .010	± .010	MDICK	2011/11/22	MX150 DUAL ROW BULKHEAD TWIST-LOCK CONNECTOR ASSEMBLY	
		2 PLACES ± 0.10	± .010	CHECKED BY	DATE	MOLEX INCORPORATED	
		1 PLACE ± 0.20	± .020	MYANSLAMBROU	2011/11/22	MOLEX INCORPORATED	
		ANGULAR ± 3°		APPROVED BY	DATE	MOLEX INCORPORATED	
		DRAFT WHERE APPLICABLE MUST REMAIN WITHIN DIMENSIONS		MATERIAL NO.	DOCUMENT NO.	SHEET NO.	
				SEE TABLE	SD-34840-001	4 OF 9	
				SIZE D	THIS DRAWING CONTAINS INFORMATION THAT IS PROPRIETARY TO MOLEX INCORPORATED AND SHOULD NOT BE USED WITHOUT WRITTEN PERMISSION		

CIRCUIT SIZE	DIMENSIONS	
	A	B
6	3.50	50.3
8	5.25	50.3
12	8.75	60.2
16	12.25	60.2

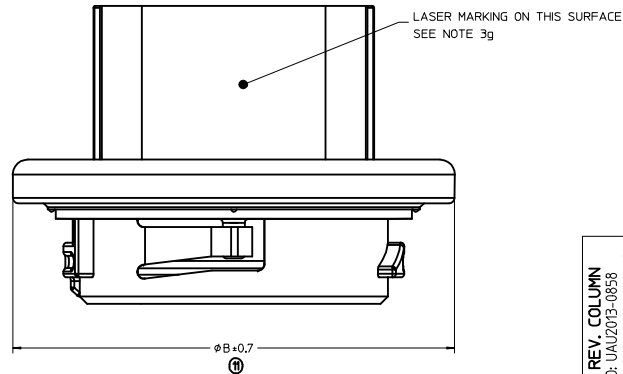
BULKHEAD CONNECTOR



SECTION A-A
PLR SHOWN IN PRE-LOCK POSITION



SECTION A-A
PLR SHOWN IN FINAL-LOCK POSITION

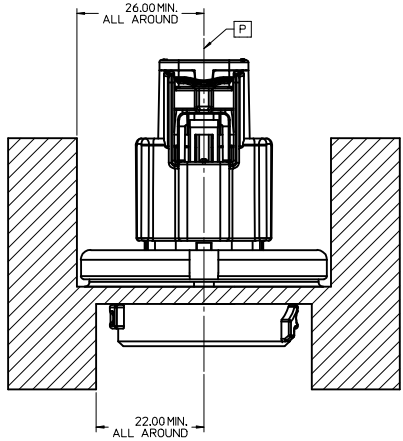


SEE REV. COLUMN DEC NO: 01/2013-0858 DRAWN: MDLCK CHKD: B3 APPR: WJOSHY 2012/12/14	QUALITY SYMBOLS	GENERAL TOLERANCES (UNLESS SPECIFIED)	DIMENSION STYLE	SCALE	DESIGN UNITS	THIRD ANGLE PROJECTION
	▽=0	mm INCH	MM ONLY	3:1	METRIC	☉
	▽=0	4 PLACES ± --- ± ---	DRAWN BY DATE			
	▽=0	3 PLACES ± --- ± ---	MDLCK 2011/11/22			
	2 PLACES ± 0.10 ± ---	CHECKED BY DATE				
	1 PLACE ± 0.20 ± ---	MVANS LAMBROU 2011/11/22				
	ANGULAR ± 3°	APPROVED BY DATE				
	DRAFT WHERE APPLICABLE MUST REMAIN WITHIN DIMENSIONS					
			MATERIAL NO.			
			SEE TABLE			
			SIZE D			
			THIS DRAWING CONTAINS INFORMATION THAT IS PROPRIETARY TO MOLEX INCORPORATED AND SHOULD NOT BE USED WITHOUT WRITTEN PERMISSION			

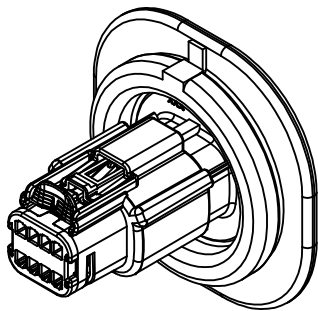
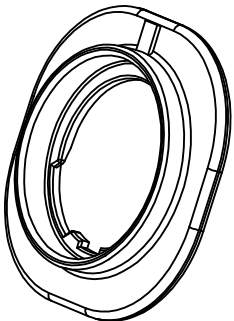
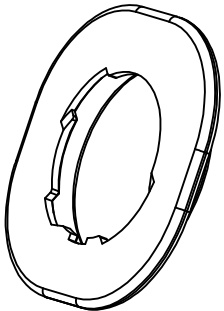
TITLE		MOLEX INCORPORATED	
MX150 DUAL ROW BULKHEAD TWIST-LOCK CONNECTOR ASSEMBLY		MOLEX INCORPORATED	
DOCUMENT NO.		SD-34840-001	
SHEET NO.		5 OF 9	

6/8 CKT BULKHEAD CONNECTOR INTERFACE SHEET 1/2

IF BULKHEAD INTERFACE IS RECESSED INTO A POCKET, THESE DIMENSIONS REPRESENT THE MINIMUM CLEARANCE REQUIRED FOR THE MATING HARNESS AND BULKHEAD CONNECTOR SHROUDS.



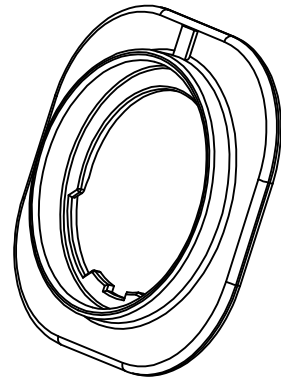
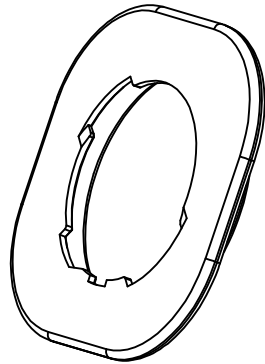
PACKAGING FRAME



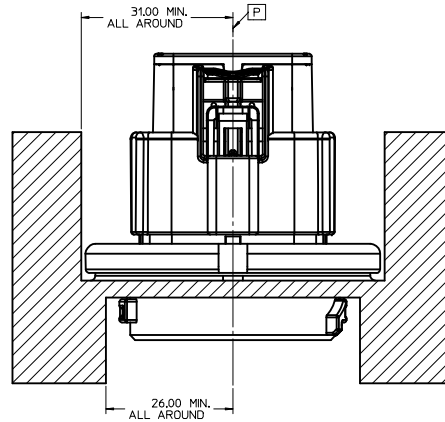
BULKHEAD INTERFACE NOTES: VALID UNLESS OTHERWISE SPECIFIED

- 1. GENERAL:
 - a. DESIGNED TO MATE WITH MOLEX CONNECTOR SERIES # 34840
 - b. ALL DIMENSIONS SHOWN IN MILLIMETERS
- 2. MATERIALS:
 - a. MATERIAL: BLACK TALC FILLED POLYPROPYLENE PER GMP.PP.030 OR EQUIVALENT
- 3. GEOMETRY:
 - a. THIS IS A 100% CAD GENERATED PART. THE CAD MATHEMATICAL DATA IS THE MASTER FOR THIS PART. FOR DIMENSIONAL OR ANY INFORMATION NOT SHOWN ON THIS DRAWING, ANALYZE THE CAD MODEL.
 - b. GEOMETRIC DIMENSIONS AND TOLERANCES PER ASME Y14.5M - 2009
 - c. GENERAL TOLERANCES: SEE TITLE BLOCK
 - d. EDGES AND UNDIMENSIONED DETAILS PER ISO13715
 - e. LOCKED POSITION INDICATOR IS INTENDED TO BE A VISUAL AID TO ENSURE THE BULKHEAD CONNECTOR IS IN THE LOCKED POSITION. THE BULKHEAD CONNECTOR HAS A CORRESPONDING FEATURE THAT WILL ALIGN WITH THE BULKHEAD INTERFACE WHEN FULLY LOCKED
- 4. MANUFACTURING:
 - a. DRAFT TO BE WITHIN TOLERANCE.
 - PLUS DRAFT - INDICATES DIMENSION REPRESENTS THE SMALLEST SIZE OF A FEATURE. DRAFT WILL ADD MATERIAL.
 - MINUS DRAFT - INDICATES DIMENSION REPRESENTS THE LARGEST SIZE OF A FEATURE. DRAFT WILL REMOVE MATERIAL.
 - b. ALLOWABLE FLASH MAX 0.20 HIGH BY MAX 0.13 THICK.
 - c. NO PARTING LINES, MISMATCHES OR EJECTOR MARKS PERMISSIBLE WITHIN SEALING SURFACE. SEALING SURFACE TOOLING TO BE PROCESSED TO A SURFACE FINISH OF NTMA #70 (400 PAPER) MINIMUM
 - d. NO EXTERNAL MOLD RELEASE AGENT ALLOWED DURING MANUFACTURING.

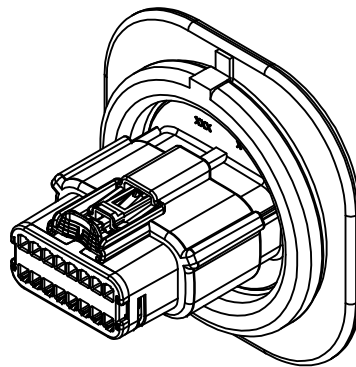
SEE REV. COLUMN DEC NO: JAU2013-0858 B3 DRAWN: MDICK CHYK: APPR: IKOSHY 2012/10/10 2012/10/14	QUALITY SYMBOLS	GENERAL TOLERANCES (UNLESS SPECIFIED)	DIMENSION STYLE	SCALE	DESIGN UNITS	THIRD ANGLE PROJECTION	
	∇=0 ∇=0 ∇=0	4 PLACES ±.--- 3 PLACES ±.--- 2 PLACES ±0.10 1 PLACE ±0.20	MM ONLY 2:1	DRAWN BY: MDICK CHECKED BY: MVANSLAMBROU APPROVED BY:	DATE: 2011/11/22 DATE: 2011/11/22 DATE:	METRIC	MX150 DUAL ROW BULKHEAD TWIST-LOCK CONNECTOR ASSEMBLY
	DRAFT WHERE APPLICABLE MUST REMAIN WITHIN DIMENSIONS	ANGULAR ± 3°	MATERIAL NO: N/A	MOLEX INCORPORATED	DOCUMENT NO: SD-34840-001	SHEET NO: 6 OF 9	MOLEX
			SIZE: D	THIS DRAWING CONTAINS INFORMATION THAT IS PROPRIETARY TO MOLEX INCORPORATED AND SHOULD NOT BE USED WITHOUT WRITTEN PERMISSION			



IF BULKHEAD INTERFACE IS RECESSED INTO A POCKET, THESE DIMENSIONS REPRESENT THE MINIMUM CLEARANCE REQUIRED FOR THE MATING HARNESS AND BULKHEAD CONNECTOR SHROUDS.



PACKAGING FRAME



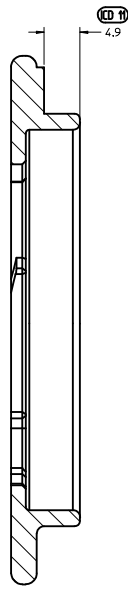
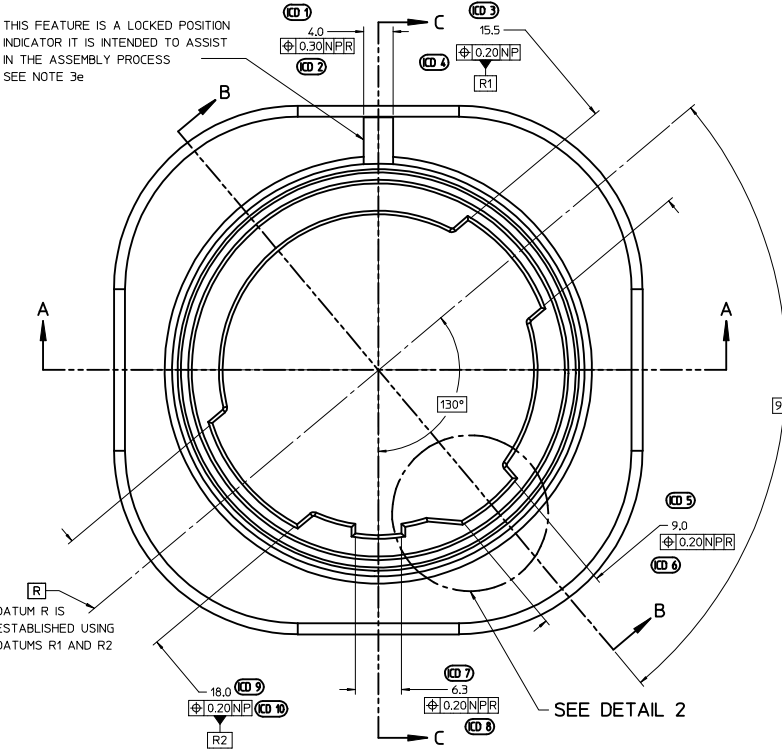
12/16 CKT BULKHEAD CONNECTOR INTERFACE SHEET 1/2

BULKHEAD INTERFACE NOTES: VALID UNLESS OTHERWISE SPECIFIED

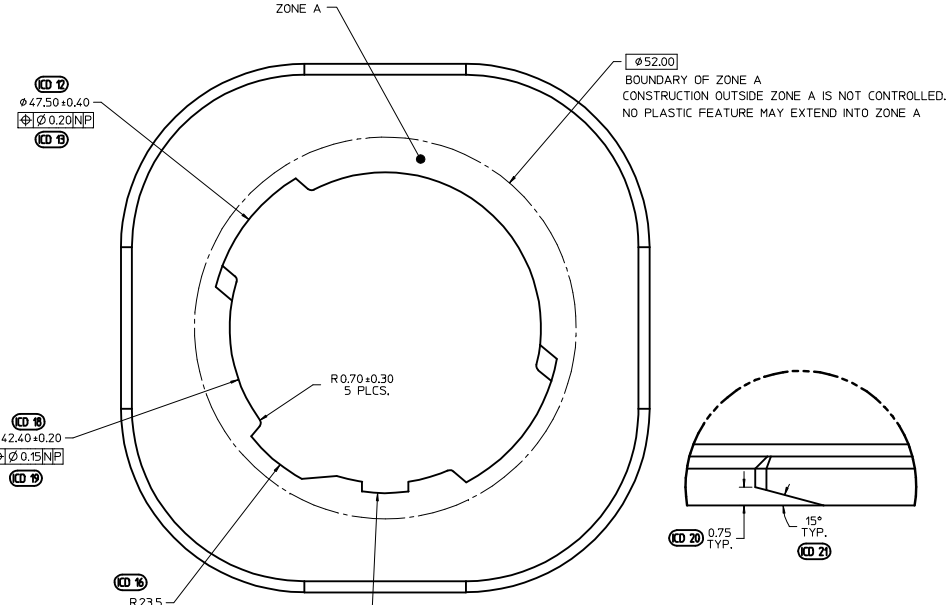
1. GENERAL:
 - a. DESIGNED TO MATE WITH MOLEX CONNECTOR SERIES # 34840
 - b. ALL DIMENSIONS SHOWN IN MILLIMETERS
2. MATERIALS:
 - a. MATERIAL: BLACK TALC FILLED POLYPROPYLENE PER GMP.PP.030 OR EQUIVALENT
3. GEOMETRY:
 - a. THIS IS A 100% CAD GENERATED PART. THE CAD MATHEMATICAL DATA IS THE MASTER FOR THIS PART. FOR DIMENSIONAL OR ANY INFORMATION NOT SHOWN ON THIS DRAWING, ANALYZE THE CAD MODEL.
 - b. GEOMETRIC DIMENSIONS AND TOLERANCES PER ASME Y14.5M - 2009
 - c. GENERAL TOLERANCES: SEE TITLE BLOCK
 - d. EDGES AND UNDIMENSIONED DETAILS PER ISO13715
 - e. LOCKED POSITION INDICATOR IS INTENDED TO BE A VISUAL AID TO ENSURE THE BULKHEAD CONNECTOR IS IN THE LOCKED POSITION. THE BULKHEAD CONNECTOR HAS A CORRESPONDING FEATURE THAT WILL ALIGN WITH THE BULKHEAD INTERFACE WHEN FULLY LOCKED
4. MANUFACTURING:
 - a. DRAFT TO BE WITHIN TOLERANCE.
 - PLUS DRAFT - INDICATES DIMENSION REPRESENTS THE SMALLEST SIZE OF A FEATURE. DRAFT WILL ADD MATERIAL.
 - MINUS DRAFT - INDICATES DIMENSION REPRESENTS THE LARGEST SIZE OF A FEATURE. DRAFT WILL REMOVE MATERIAL.
 - b. ALLOWABLE FLASH MAX 0.20 HIGH BY MAX 0.13 THICK.
 - c. NO PARTING LINES, MISMATCHES OR EJECTOR MARKS PERMISSIBLE WITHIN SEALING SURFACE. SEALING SURFACE TOOLING TO BE PROCESSED TO A SURFACE FINISH OF N7MA #70 (400 PAPER) MINIMUM
 - d. NO EXTERNAL MOLD RELEASE AGENT ALLOWED DURING MANUFACTURING.

SEE REV. COLUMN DEC NO: JAU2013-0858 B3 DRAWN: MDICK CHKD: APPR: IKOSHY 2012/12/14 DESCRIPTION:	QUALITY SYMBOLS	GENERAL TOLERANCES (UNLESS SPECIFIED)	DIMENSION STYLE	SCALE	DESIGN UNITS	THIRD ANGLE PROJECTION	
	∇=0 ∇=0 ∇=0	4 PLACES ± 0.10 3 PLACES ± 0.15 2 PLACES ± 0.20 1 PLACE ± 0.30 ANGULAR ± 3°	MM ONLY 2:1	DRAWN BY: MDICK DATE: 2011/11/22 CHECKED BY: MVANSLAMBROU DATE: 2011/11/22 APPROVED BY:	METRIC	Molex MOLEX INCORPORATED	TITLE: MX150 DUAL ROW BULKHEAD TWIST-LOCK CONNECTOR ASSEMBLY MATERIAL NO: N/A DOCUMENT NO: SD-34840-001
	DRAFT WHERE APPLICABLE MUST REMAIN WITHIN DIMENSIONS						
							SHEET NO: 8 OF 9 SIZE: D THIS DRAWING CONTAINS INFORMATION THAT IS PROPRIETARY TO MOLEX INCORPORATED AND SHOULD NOT BE USED WITHOUT WRITTEN PERMISSION

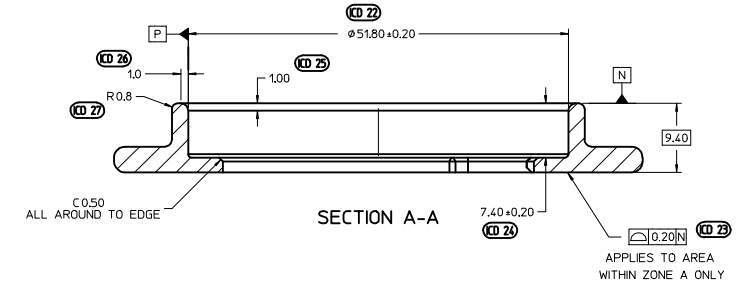
THIS FEATURE IS A LOCKED POSITION INDICATOR IT IS INTENDED TO ASSIST IN THE ASSEMBLY PROCESS SEE NOTE 3e



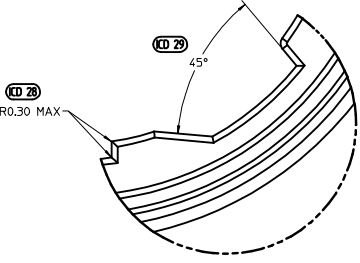
SECTION C-C



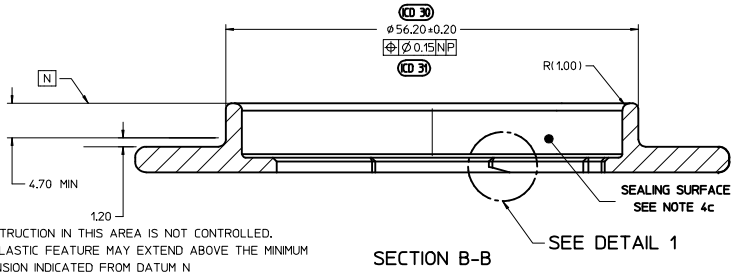
DETAIL 1 SCALE 10:1



SECTION A-A



DETAIL 2 SCALE 5:1



SECTION B-B

SEE REV. COLUMN EC NO. UAU2013-0858 DRAWN BY MD LICK CHKD: APPR: VKOSHY 2012/10/10 2012/12/14	QUALITY SYMBOLS	GENERAL TOLERANCES (UNLESS SPECIFIED)		DIMENSION STYLE	SCALE	DESIGN UNITS	THIRD ANGLE PROJECTION
	▽=0	mm	INCH	MM ONLY	3:1	METRIC	☉
	▽=0	4 PLACES ± ---	± ---				
	▽=0	3 PLACES ± ---	± ---				
		2 PLACES ± 0.10	± ---				
		1 PLACE ± 0.20	± ---				
		ANGULAR ± 3°					
		DRAFT WHERE APPLICABLE MUST REMAIN WITHIN DIMENSIONS		MATERIAL NO.	DOCUMENT NO.		
				N/A	SD-34840-001		
				THIS DRAWING CONTAINS INFORMATION THAT IS PROPRIETARY TO MOLEX INCORPORATED AND SHOULD NOT BE USED WITHOUT WRITTEN PERMISSION			

MX150 DUAL ROW BULKHEAD TWIST-LOCK CONNECTOR ASSEMBLY

MOLEX INCORPORATED

SHEET NO. 9 OF 9