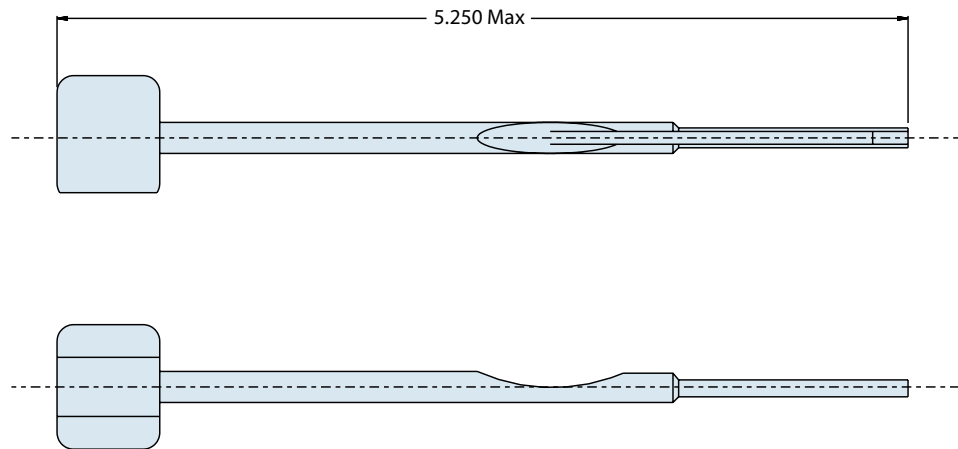
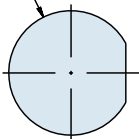


Straight Insertion Tool for Fiber Optic Termini

The preferred tool of seasoned fiber optic technicians, the Glenair straight insertion tool is designed to aid users in populating connectors with fiber optic termini. Gone are the days of damaged fibers and sore fingers—this convenient tool features a comfortable handle and specially designed insertion tip for use with M29504, GHD and many other termini available from Glenair.

Part Number	Compatible Termini
182-013	181-039 M29504/14 Pin
	181-040 M29504/15 Socket
	181-051 M29504/03 Dummy
	181-011 #16 Socket
	181-012 #16 Pin
	181-021 #16 Socket
	181-022 #16 Pin
	181-056 Genderless GHD, Non-Keyed

Ø .850
Max



Mouser Electronics

Authorized Distributor

Click to View Pricing, Inventory, Delivery & Lifecycle Information:

[Glenair:](#)

[181-021-125](#) [181-021-173](#) [181-021-175](#) [181-022-126](#) [181-022-175](#) [182-013](#)