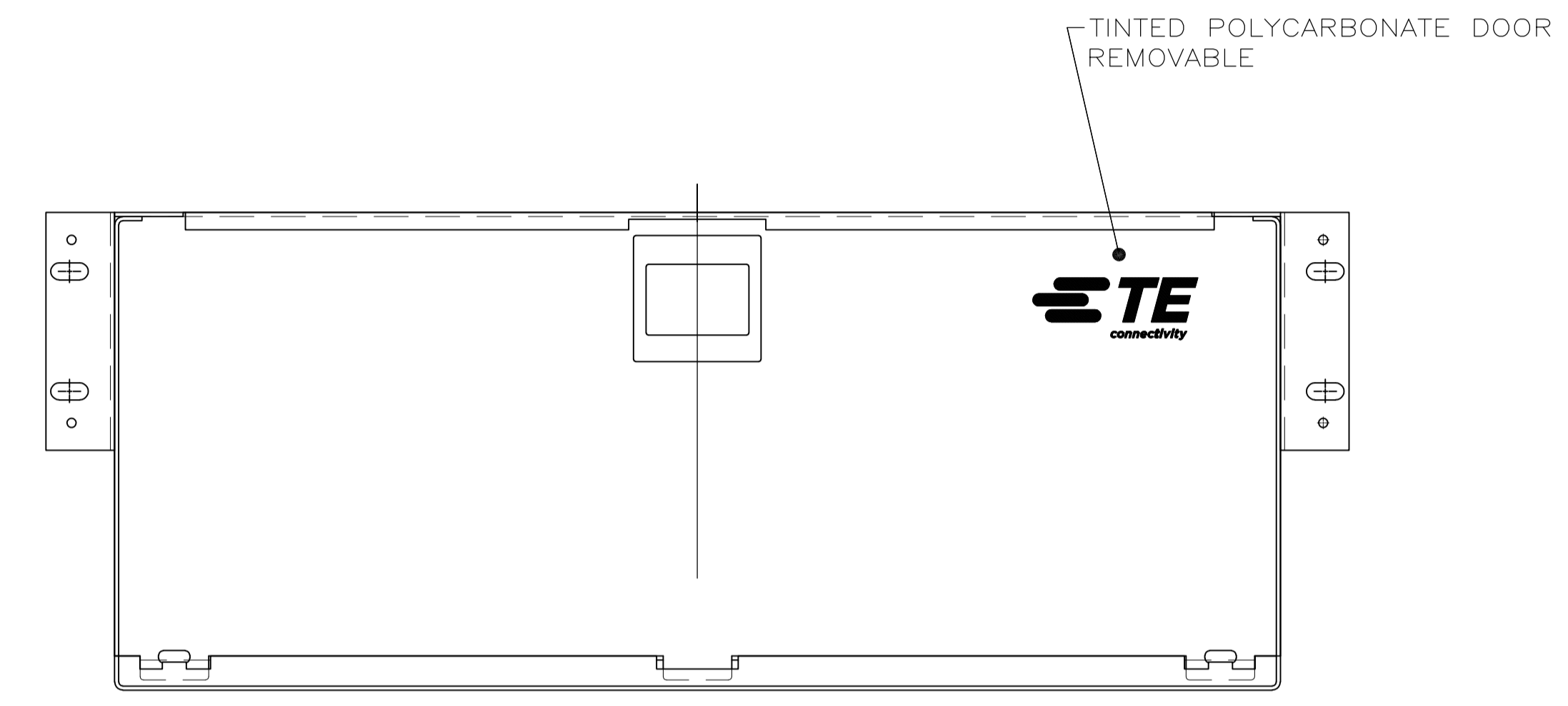
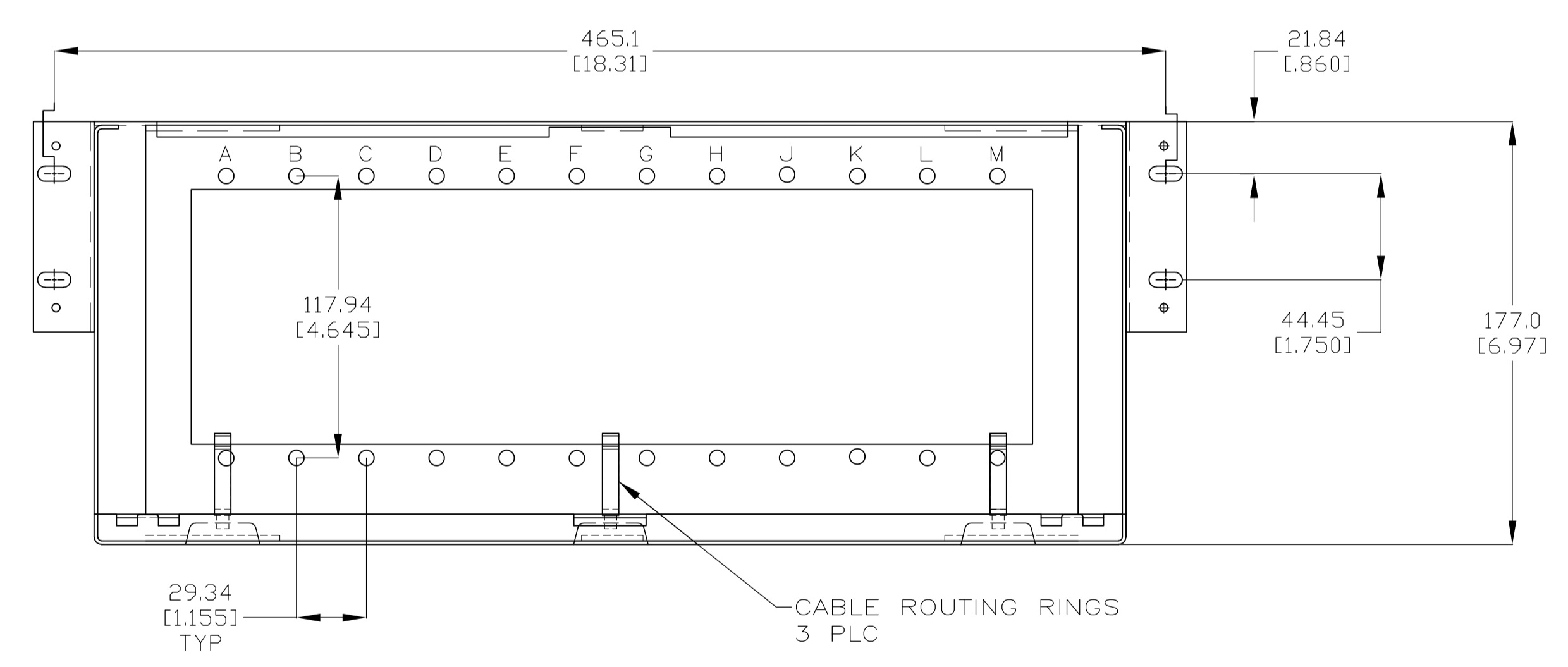


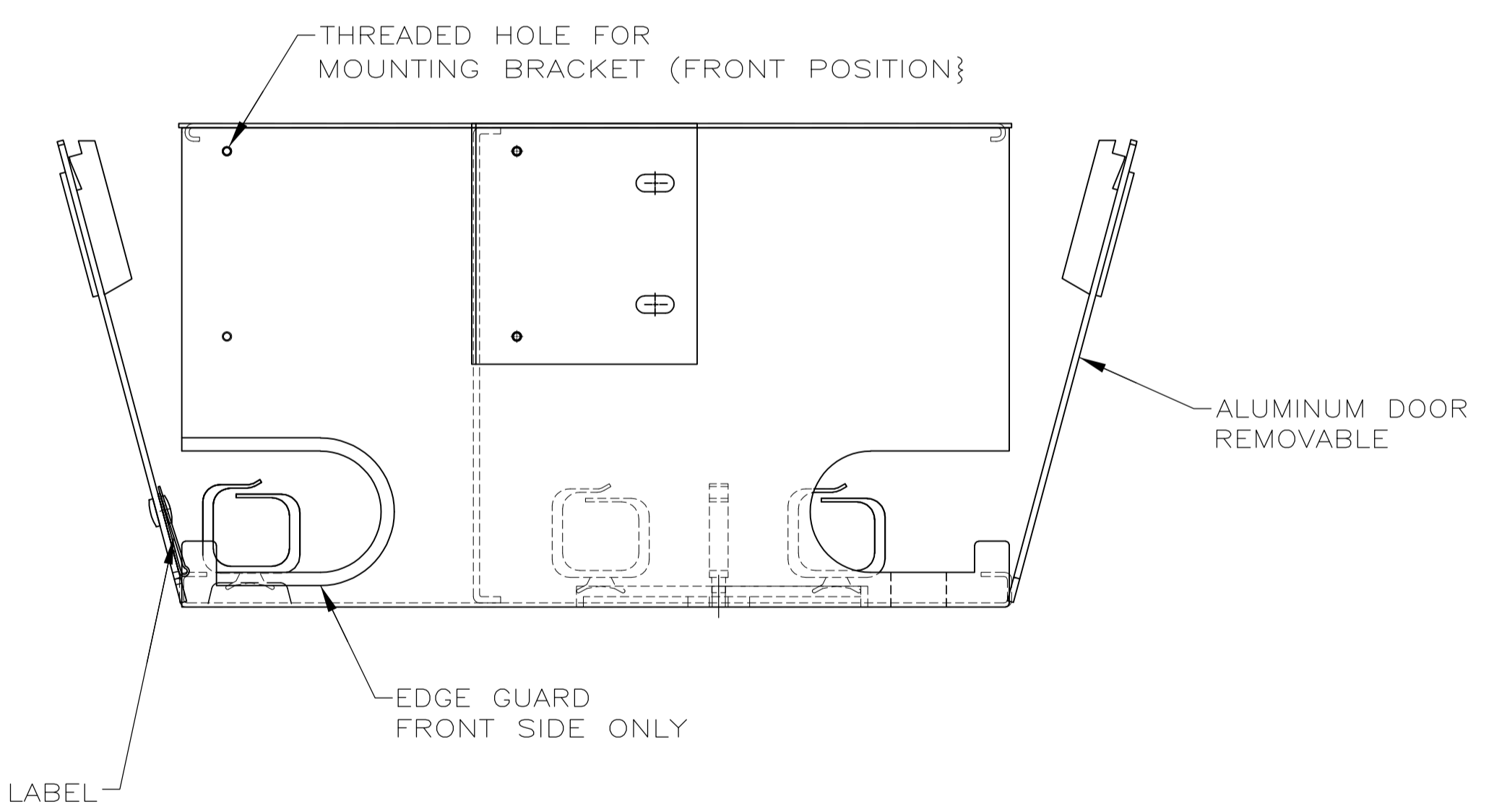
TOP PLATE NOT SHOWN IN THIS VIEW



FRONT VIEW WITH DOOR



FRONT DOOR NOT SHOWN IN THIS VIEW



- THE FOLLOWING LABELS ARE BAGGED AND PLACED IN THE ENCLOSURE
 - M THRU A ADHESIVE BACKED LABEL
 - WARNING LABELS
- FOUR (4) #12-24UNC-2A SCREWS ARE PROVIDED IN BAG INSIDE THE ENCLOSURE
- ENCLOSURE IS PROVIDED FOR 19" RACK MOUNTING BY REPOSITIONING MOUNTING BRACKETS IT CAN BE MOUNTED INTO A 23" RACK

SUPERSEDED BY 559552-2 AND (1) OF 1435161-2	BLACK	559552-4
SUPERSEDED BY 559552-1 AND (1) OF 1435161-1	LT ALMOND	559552-3
	BLACK	559552-2
	LT ALMOND	559552-1
	COLOR	PART NUMBER

THIS DRAWING IS A CONTROLLED DOCUMENT.		DIN 128000		TE Connectivity	
DIMENSIONS:		TOLERANCES UNLESS OTHERWISE SPECIFIED:		APVD	
MM		0 PLC	± -	NAME	
		1 PLC	± -	J. HOFFER	
		2 PLC	± 0.8 [0.30]	PRODUCT SPEC	
		3 PLC	± 0.25 [0.10]	APPLICATION SPEC	
		4 PLC	± -	SIZE	
		ANGLES	± -	CAGE CODE	
MATERIAL	FINISH	WEIGHT		DRAWING NO	
				A1 00779 C=559552	
CUSTOMER DRAWING			SCALE	SHEET	REV
			1:2	1 of 1	G2