

PLEASE CHECK WWW.MOLEX.COM FOR LATEST PART INFORMATION

Part Number: [0365630010](#)

Status: **Active**

Overview:

Description: 6.35mm (.250) Pitch MLX™ Power Connector Header, Vertical, without Plastic Polarizing Peg, 6 Circuits, Polyester 94V-0, Tin Lead (Pb/Sn) Plating, White

Documents:

[3D Model](#)

[Product Specification PSX-42002-0001 \(PDF\)](#)

[Drawing \(PDF\)](#)

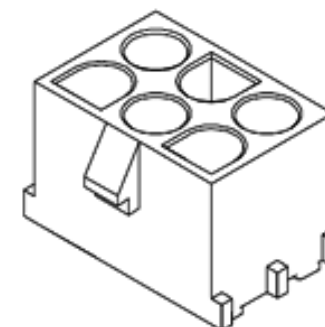
[RoHS Certificate of Compliance \(PDF\)](#)

General

Product Family	PCB Headers
Series	36563
Application	Wire-to-Board
Comments	Without Compliant / Polarization Peg
Overview	MLX
Product Name	MLX™

Physical

Breakaway	No
Circuits (Loaded)	6
Circuits (maximum)	6
Color - Resin	White
Durability (mating cycles max)	50
First Mate / Last Break	No
Glow-Wire Compliant	No
Guide to Mating Part	Yes
Keying to Mating Part	Yes
Lock to Mating Part	Yes
Material - Metal	Brass
Material - Plating Mating	Tin-Lead
Material - Plating Termination	Nickel
Material - Resin	Polyester
Number of Rows	2
Orientation	Vertical
PC Tail Length (in)	0.170 In
PC Tail Length (mm)	4.30 mm
PCB Locator	No
PCB Retention	None
PCB Thickness Recommended (in)	0.062 In
PCB Thickness Recommended (mm)	1.57 mm
Packaging Type	Bag
Pitch - Mating Interface (in)	0.250 In
Pitch - Mating Interface (mm)	6.35 mm
Pitch - Term. Interface (in)	0.250 In
Pitch - Term. Interface (mm)	6.35 mm
Plating min: Mating (µin)	60
Plating min: Mating (µm)	15.25
Plating min: Termination (µin)	50
Plating min: Termination (µm)	1.27
Polarized to Mating Part	Yes
Polarized to PCB	No
Shrouded	Fully
Stackable	No
Surface Mount Compatible (SMC)	No
Temperature Range - Operating	-55°C to +105°C
Termination Interface: Style	Through Hole



Series image - Reference only

EU RoHS

China RoHS

Compliance Status

Not Reviewed

REACH SVHC

Not Reviewed

Halogen-Free

Status

Not Reviewed

Need more information on product environmental compliance?

Email productcompliance@molex.com
Please visit the [Contact Us](#) section for any non-product compliance questions.

Search Parts in this Series

[36563 Series](#)

Mates With

[42021](#) MLX™ Power Crimp Housing Plug.
[42023](#) MLX Crimp Terminal. [42024](#) MLX Crimp Terminal

Electrical

Current - Maximum

9A

Voltage - Maximum

600V

Material Info**Reference - Drawing Numbers**

Product Specification

PSX-42002-0001

Sales Drawing

SD-36563-001

This document was generated on 11/06/2009

PLEASE CHECK WWW.MOLEX.COM FOR LATEST PART INFORMATION