

# AS85049/111

## 90° RF/EMI Shield-Sock Shrink Boot Adapter with Optional Self-Locking Coupling Nut

### CONNECTOR DESIGNATOR:

**A**

AS50151 Series AS34001  
MIL-DTL-26482 Series II  
AS81703 Series III  
MIL-DTL-83723 Series I & III  
40M39569, DEF 5326-3  
EN 2997, EN 3646  
ESC 10, ESC 11, LN 29504  
NFC93422 Series HE302  
PAN 6432-1, PAN 6432-2  
PATT 602

Product Series and  
Specification Sheet

Shell Size  
(Table I)

Shield Finish  
(Table IV)

Entry Size  
(Table II)

Drain Hole  
(Omit for None)

**M85049/111**

**S**

**10**

**T**

**W**

**03**

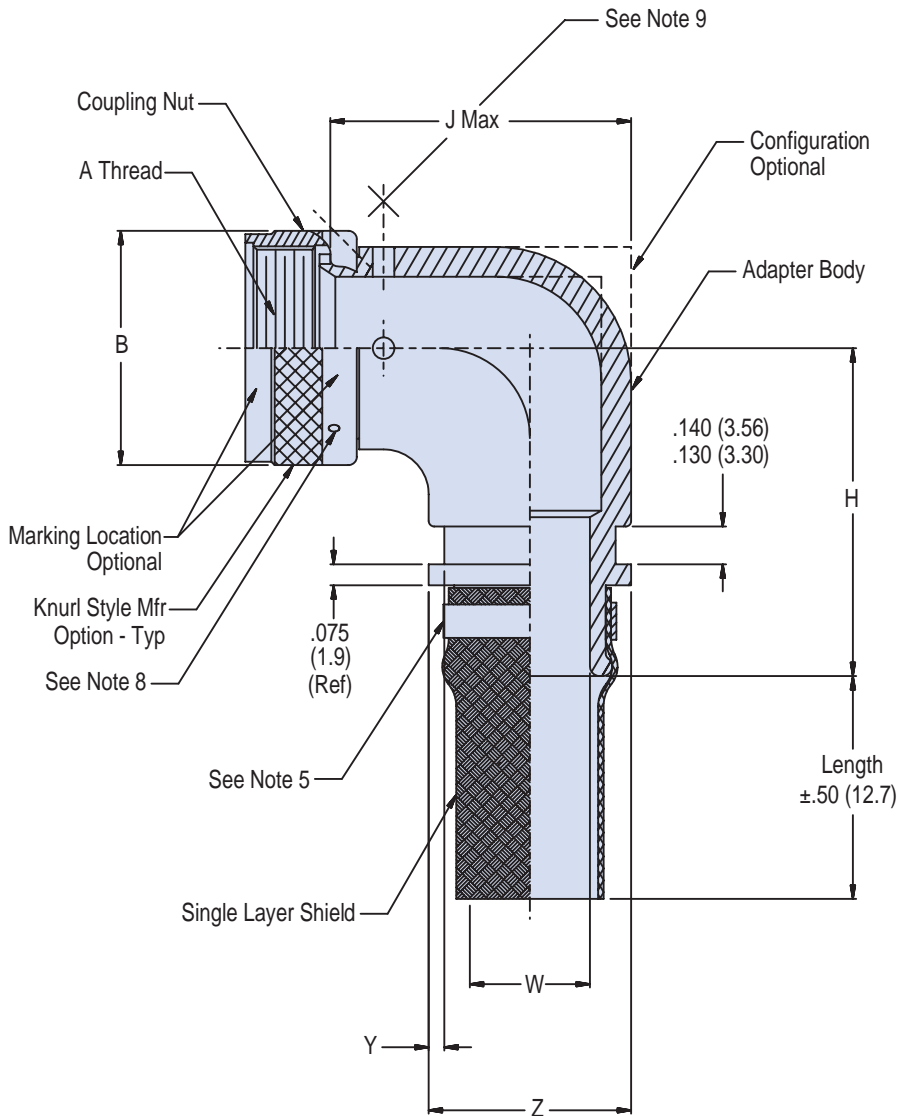
**- 6**

**D**

**S** = Detented, Self-Locking  
**-** = Non-Self-Locking (Use Dash)  
**N** = Non-Detented, Self-Locking

**Finish**  
(Table III)

**Braid Length**  
1 Inch Increments,  
6" Min., 18" Max



**TABLE II: Entry Size and Dimensions**

Entry Size	W ± .020 (.51)	Y +.008 (.20) -.000 (.00)	Z Max
01	.250 (6.4)	.044 (1.12)	.560 (14.2)
02	.312 (7.9)	.044 (1.12)	.630 (16.0)
03	.375 (9.5)	.044 (1.12)	.690 (17.5)
04	.438 (11.1)	.044 (1.12)	.750 (19.1)
05	.500 (12.7)	.044 (1.12)	.820 (20.8)
06	.562 (14.3)	.044 (1.12)	.890 (22.6)
07	.625 (15.9)	.044 (1.12)	.950 (24.1)
08	.688 (17.5)	.044 (1.12)	1.020 (25.9)
09	.750 (19.1)	.069 (1.75)	1.120 (28.4)
10	.812 (20.6)	.069 (1.75)	1.200 (30.5)
11	.875 (22.2)	.069 (1.75)	1.270 (32.3)
12	.938 (23.8)	.069 (1.75)	1.260 (32.0)
13	1.000 (25.4)	.069 (1.75)	1.370 (34.8)
14	1.125 (28.6)	.069 (1.75)	1.470 (37.3)
15	1.250 (31.8)	.069 (1.75)	1.600 (40.6)
16	1.375 (34.9)	.069 (1.75)	1.710 (43.4)
17	1.500 (38.1)	.086 (2.18)	1.840 (46.7)
18	1.625 (41.3)	.086 (2.18)	2.000 (50.8)
19	1.750 (44.5)	.086 (2.18)	2.120 (53.8)
20	1.875 (47.6)	.086 (2.18)	2.270 (57.7)
21	2.000 (50.8)	.086 (2.18)	2.440 (62.0)
22	2.125 (54.0)	.086 (2.18)	2.600 (66.0)
23	2.250 (57.2)	.086 (2.18)	2.750 (69.9)
24	2.375 (60.3)	.086 (2.18)	2.900 (73.7)
25	2.500 (63.5)	.086 (2.18)	3.060 (77.7)

Dimensions in inches (millimeters) and are subject to change without notice.

# AS85049/111

## 90° RFI/EMI Shield-Sock Shrink Boot Adapter with Optional Self-Locking Coupling Nut



AS85049

B

**TABLE I: Shell Size, Entry Size, Thread and Dimensions**

Accessory Shell Size Code	Allowable Cable Entry Size	Shell Size AS81703, Series III (Ref)	Shell Size MIL-DTL-26482, Series II MIL-DTL-83723, Series III (Ref)	Shell Size MIL-DTL-5015, Series I and II (Ref)	A Thread Class 2B	B Max Diameter	H Max	J Max
03	01	3	-	-	9/16-24 UNEF	.855 (22.48)	1.730 (43.94)	1.120 (28.45)
08	01	-	8	8S	1/2-20 UNF	.885 (22.48)	1.730 (43.94)	1.120 (28.45)
10	01-03	-	10	10S & 10SL	5/8-24 UNEF	1.010 (25.65)	1.850 (46.99)	1.250 (31.75)
12	01-05	7	12	12S & 12	3/4-20 UNEF	1.135 (28.83)	1.870 (47.50)	1.380 (35.05)
14	02-06	12	14	14S & 14	7/8-20 UNEF	1.260 (32.00)	1.940 (49.28)	1.440 (36.58)
16	04-08	19	16	16S & 16	1-20 UNEF	1.385 (35.18)	2.030 (51.56)	1.560 (39.62)
18	05-09	27	18	18	1 1/16-18 UNEF	1.510 (38.35)	2.200 (55.88)	1.750 (44.45)
20	07-11	37	20	20	1 3/16-18 UNEF	1.635 (41.53)	2.200 (55.88)	1.750 (44.45)
22	09-13	-	22	22	1 5/16-18 UNEF	1.760 (44.70)	2.310 (58.67)	2.000 (50.80)
24	11-14	-	24	24	1 7/16-18 UNEF	1.885 (47.88)	2.310 (58.67)	2.000 (50.80)
28	14-16	-	-	28	1 3/4-18 UNS	2.135 (54.23)	2.480 (62.99)	2.250 (57.15)
32	16-17	-	-	32	2-18 UNS	2.395 (60.83)	2.730 (69.34)	2.750 (69.85)
36	17-19	-	-	36	2 1/4-16 UN	2.635 (66.93)	2.730 (69.34)	3.125 (79.38)
40	19-21	-	-	40	2 1/2-16 UN	2.885 (73.28)	2.880 (73.15)	4.125 (104.77)
44	21-23	-	-	44	2 3/4-16 UN	3.135 (76.63)	3.000 (76.20)	4.125 (104.77)
48	23-25	-	-	48	3-16 UN	3.385 (85.98)	3.120 (79.25)	4.125 (104.77)
61	12-14	61	-	-	1 1/2-18 UNEF	1.885 (47.88)	2.380 (60.45)	2.250 (57.15)

**Table III: Symbol and Finish**

Symbol	Finish
N	Electroless Nickel
W	Cadmium/Olive Drab over Electroless Nickel (1000 Hour Salt Spray)
X	Nickel Fluorocarbon Polymer
Z	Zinc Nickel

**Table IV: Symbol and Finish**

Symbol	Finish
K	Nickel Plate
T	Tin Plate

**Table V: (Manufacturer's Option)**

Material	Finish
Copper	Tin Plate
Stainless Steel	Passivated

### APPLICATION NOTES

- Metric equivalents are given for general information only and are based on 1.000 inch (25.40 mm).
- Dimensions are in inches and apply after plating. Accessory configuration is optional within the specified dimension envelope.
- Adapter length is measured from the bottom of the accessory teeth to the adapter that is covered by the braid. The adapter surface under the braid shall be ribbed knurled or have a surface roughness of .125 R minimum in accordance with ANSI B46.1.
- Pig tail terminated braid material shall be in accordance with Table IV. Braid length is defined by Note 1 as shown in the part or identifying number (PIN).
- Termination band configuration is not controlled. Band with buckle may exceed the "Z" dimension (See Table II) provided the band does not interfere with boot attachment, band material shall be specified as in Table V.
- Shrink boot (when required) shall be as specified in AS5258.
- Termination of the accessory shield with harness shield may be performed with a AS85049/93 shield support ring or similar split ring accessory types.
- Three (3) holes equally spaced shall be provided and accommodate .020 (.51) maximum safety wire for the non-self-locking coupling configuration.
- Drain holes will be provided with a .125 (3.2 mm) diameter, 4 places equally spaced (optional, see part number development).
- Material/Finish:  
Adapter, coupling nut - Al alloy/See Table III  
Band - See Table V, manufacturer's option  
Braid - Copper/See Table IV

Dimensions in inches (millimeters) and are subject to change without notice.

# Mouser Electronics

Authorized Distributor

Click to View Pricing, Inventory, Delivery & Lifecycle Information:

## Glenair:

[M85049/111N14TW02-6](#) [M85049/111N16TW07-6](#) [M85049/111N14KN03-6D](#) [M85049/111N20TW09-6D](#)  
[M85049/111N22TW11-6D](#) [M85049/111N12KN02-6](#) [M85049/111S36KW17-6D](#) [M85049/111-18KW08-6D](#)  
[M85049/111-18KW09-6D](#) [M85049/111S08TW01-6D](#) [M85049/111-20TW11-6D](#) [M85049/111-16KN06-6D](#) [M85049/111-](#)  
[10KN03-6D](#) [M85049/111S14TN06-6](#) [M85049/111S14TW03-6](#) [M85049/111S18KN07-6D](#) [M85049/111S22TN12-6D](#)  
[M85049/111S22TW12-6D](#) [M85049/111S36TW17-6D](#) [M85049/111N36TW19-6D](#) [M85049/111N40KN21-6D](#)  
[M85049/111-20KN09-6D](#) [M85049/111-36TW17-6D](#) [M85049/111S12TW02-6D](#) [M85049/111N18TW07-6D](#)  
[M85049/111N22KN11-6D](#) [M85049/111N22TN11-6D](#) [M85049/111N22TW10-6D](#) [M85049/111N24TW13-6D](#)  
[M85049/111N36TW18-6D](#) [M85049/111N16TW04-6](#) [M85049/111N20KN10-6](#) [M85049/111N24KW13-6](#)  
[M85049/111N14KN02-6D](#) [M85049/111N14KN06-6D](#) [M85049/111N16TW07-6D](#) [M85049/111N36KW18-6](#)  
[M85049/111N03TW01-6D](#) [M85049/111N10KW01-6D](#) [M85049/111N08TW01-6](#) [M85049/111N12KW03-6](#)  
[M85049/111N14KW06-6](#) [M85049/111S12KN05-6D](#) [M85049/111N24TN13-6](#) [M85049/111N28KN16-6](#)  
[M85049/111N28TN14-6](#) [M85049/111N32TW17-6](#) [M85049/111N36KN19-6](#) [M85049/111-24TW11-6D](#) [M85049/111-](#)  
[28KN15-6D](#) [M85049/111-40TW21-6D](#) [M85049/111S12KN02-6D](#) [M85049/111S14TN03-6D](#) [M85049/111-24TW14-6D](#)  
[M85049/111S24KN12-6D](#) [M85049/111-44KN21-6D](#) [M85049/111S36KN19-6D](#) [M85049/111-44KW21-6D](#)  
[M85049/111N24KW11-6D](#) [M85049/111-24TN13-6D](#) [M85049/111-12KN05-6D](#) [M85049/111-12TN04-6D](#) [M85049/111-](#)  
[12TW01-6D](#) [M85049/111-14KN06-6D](#) [M85049/111-14KW02-6D](#) [M85049/111S24KN11-6D](#) [M85049/111-10KW01-6D](#)  
[M85049/111-10TN02-6D](#) [M85049/111-10TW01-6D](#) [M85049/111-10TW02-6D](#) [M85049/111-10TW03-6D](#) [M85049/111-](#)  
[12KN01-6D](#) [M85049/111S22TW10-6D](#) [M85049/111S24KW12-6D](#) [M85049/111S28KN14-6D](#) [M85049/111S28KN16-](#)  
[6D](#) [M85049/111S28KW15-6D](#) [M85049/111S36TW19-6D](#) [M85049/111S18TW05-6D](#) [M85049/111S18TW07-6D](#)  
[M85049/111S18TW09-6D](#) [M85049/111S20KN10-6D](#) [M85049/111S20KW07-6D](#) [M85049/111S20KW11-6D](#)  
[M85049/111-40KW19-6D](#) [M85049/111-18TN07-6D](#) [M85049/111S14TW05-6](#) [M85049/111S16TN04-6D](#)  
[M85049/111S16TW07-6D](#) [M85049/111S18TN09-6D](#) [M85049/111-16TN04-6D](#) [M85049/111-16TN08-6D](#) [M85049/111-](#)  
[16TW08-6D](#) [M85049/111-18TW05-6D](#) [M85049/111-12KW01-6D](#) [M85049/111S22KN11-6D](#) [M85049/111N28TW15-6D](#)  
[M85049/111N28TW16-6D](#) [M85049/111N36KW17-6D](#) [M85049/111N61TN13-6D](#)