

HIGH FREQUENCY CYLINDRICAL TYPE MICROPROCESSOR CRYSTAL

AB308

 RoHS/RoHS II Compliant

AB308

8.0 x Ø3.0mm

FEATURES:

- High stability by tight vacuum sealing
- Miniature high frequency cylinder type crystal

APPLICATIONS:

- Suitable for wide range of application
- Clocks for microprocessor
- Consumer electronics
- Test equipment
- Computer peripherals

STANDARD SPECIFICATIONS:

Parameters	Minimum	Typical	Maximum	Units	Notes
Frequency Range	4.000		40.000	MHz	Fundamental
	40.001		70.000		3 rd Overtone
Operation Mode	Fundamental or 3 rd Overtone				
Operating Temperature	-10		+60	°C	See options
Storage Temperature	-40		+85	°C	
Frequency Tolerance @+25°C	-30		+30	ppm	See options
Frequency Stability over the Operating Temperature (ref. to +25°C)	-50		+50	ppm	
Equivalent series resistance (R1)			150	Ω	4.000 – 5.999MHz Fundamental
			80		6.000 – 9.999MHz Fundamental
			60		10.000 – 10.999MHz Fundamental
			50		11.000 – 19.999 MHz Fundamental
			40		20.000 –29.999 MHz Fundamental
			30		30.000 –40.000 MHz Fundamental
			80		40.001 – 70.000 MHz 3 rd OT
Shunt capacitance (C0)			5	pF	
Load capacitance (CL)	16			pF	See options
Drive Level			100	μW	
Aging@25°C±3°C	-5		+5	ppm	First year
Insulation Resistance	500			M Ω	@ 100Vdc ± 15V

HIGH FREQUENCY CYLINDRICAL TYPE MICROPROCESSOR CRYSTAL

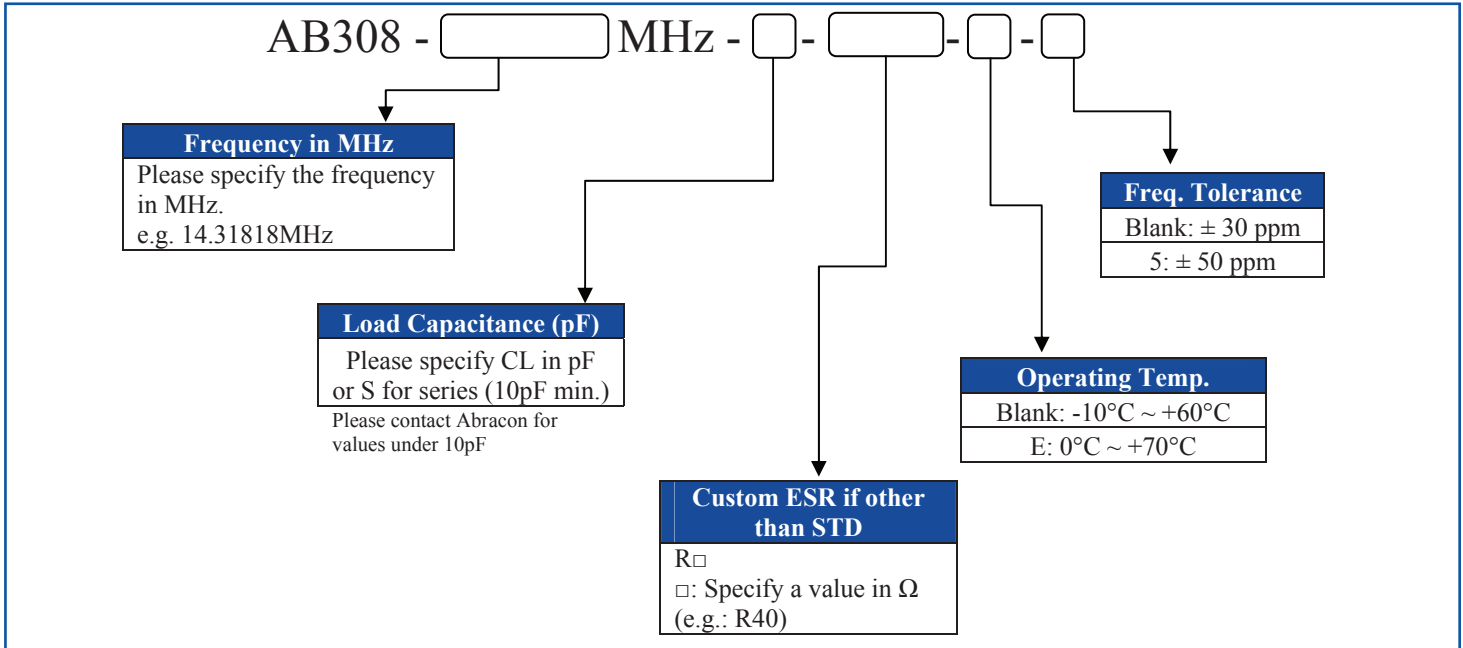


8.0 x Ø3.0mm

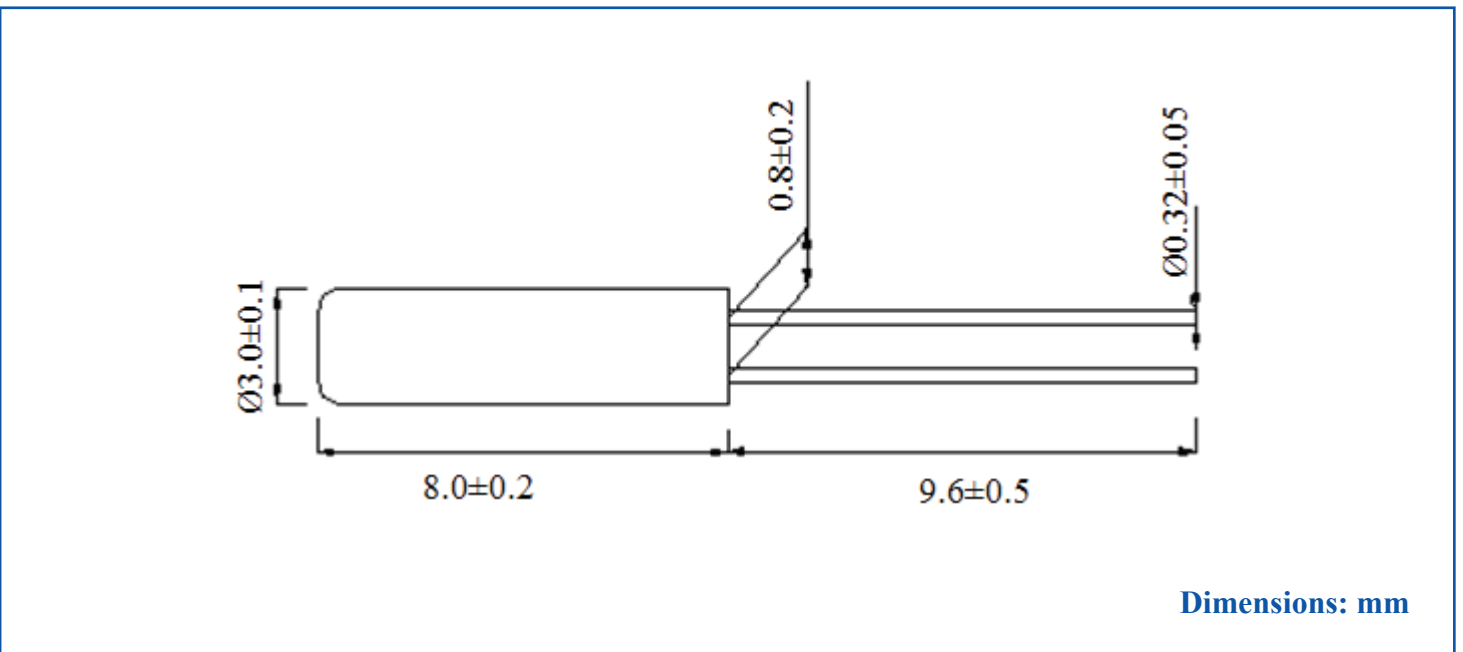
AB308

RoHS/RoHS II Compliant

➤ OPTIONS AND PART IDENTIFICATION: (Left blank if standard)



➤ OUTLINE DRAWING:



Packaging = Bulk, 1000pcs/bag

ATTENTION: Abracon Corporation's products are COTS – Commercial-Off-The-Shelf products; suitable for Commercial, Industrial and, where designated, Automotive Applications. Abracon's products are not specifically designed for Military, Aviation, Aerospace, Life-dependant Medical applications or any application requiring high reliability where component failure could result in loss of life and/or property. For applications requiring high reliability and/or presenting an extreme operating environment, written consent and authorization from Abracon Corporation is required. Please contact Abracon Corporation for more information.

ABRACON IS
ISO9001:2008
CERTIFIED



Visit www.abracon.com for Terms & Conditions of Sale **Revised: 08.07.14**
30332 Esperanza, Rancho Santa Margarita, California 92688
tel 949-546-8000 | fax 949-546-8001 | www.abracon.com