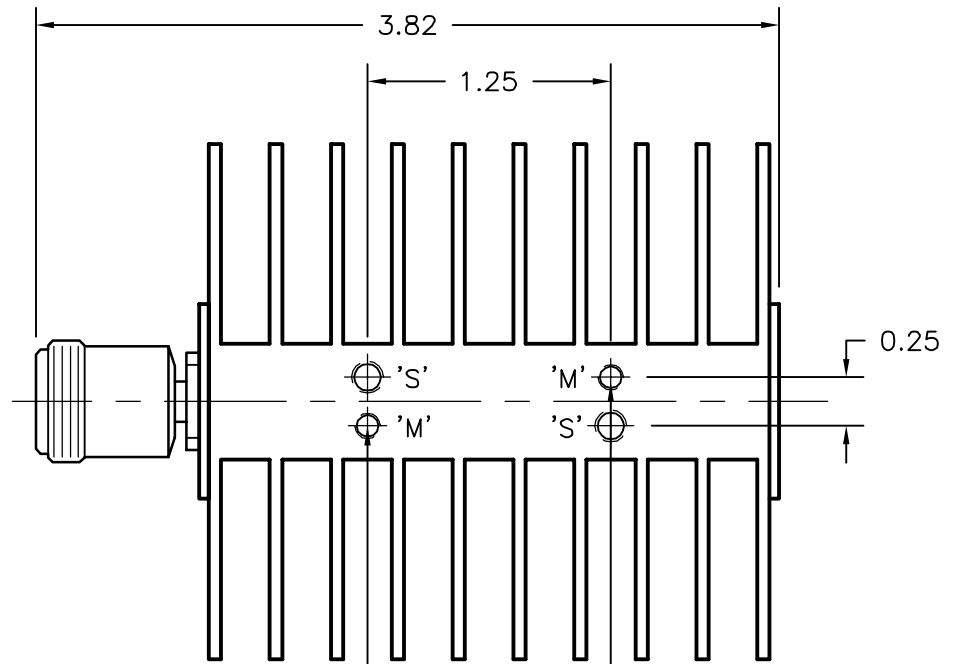


TYPE-N (F) CONN.  
5/8-24 UNEF-2A THD.



M4x0.7 TAP  
X .50 (12.7) DP.  
(2X MARKED 'M')

8-32UNC-2B TAP  
X .50 (12.7) DP.  
(2X MARKED 'S')

Frequency Range: DC - 18 GHz  
 VSWR:  
 DC - 6 GHz: 1.25:1 (Max.)  
 6 - 12.4 GHz: 1.35:1 (Max.)  
 12.4 - 18 GHz: 1.45:1 (Max.)  
 Input Power: 50 Watts Average At 25° C  
 Derated Linearly To  
 10 Watts At 125° C  
 Peak Power: 500 Watts (Max.)  
 (5uSec Pulse, .05% Duty Cycle)  
 Impedance: 50 Ohms  
 Operating Temp. Range: -65 C° To +125 C°  
 Materials:  
 Housing: Anodized Aluminum  
 Connectors: Passivated Stainless Steel  
 Conductors: Au Plated Beryllium Copper

THIRD ANGLE PROJECTION:		APPROVALS	DATE		ADVANCED TECHNICAL MATERIALS, INC. TEL: (631) 289-0363 FAX: (631) 289-0358 www.atmmicrowave.com		THE INFORMATION IN THIS DRAWING IS PROPRIETARY AND SHALL NOT BE USED OR DISCLOSED WITHOUT THE PRIOR WRITTEN CONSENT OF ATM INC. DO NOT SCALE DWGS.
UNLESS OTHERWISE NOTED, DIMENSIONS ARE IN INCHES, TOLERANCES ARE: FRACTIONS: ±1/64 ANGLES: ±1/2°		DRAWN RL	10/25/06		OUTLINE, COAX TERMINATION, 50W, TYPE-N		
BASIC DIMENSION	DECIMALS 2 PLACE 3 PLACE	APRVD.		SIZE A			CAGE CODE 0R8N4
UNDER 6"	±.02 ±.005	MATERIAL	SEE NOTES	SCALE 1 : 1	MODEL # T5027A	SHEET 1/1	
6" - 12"	±.03 ±.010	TREATMENT	SEE NOTES				
OVER 12"	±.06 ±.015	FINISH	SEE NOTES				