



## **A82DL32x4T(U) Series**

***Stacked Multi-Chip Package (MCP) Flash Memory and SRAM,  
A82DL32x4T(U) 32 Megabit (4Mx8 Bit/2Mx16 Bit) CMOS 3.3 Volt-only,  
Simultaneous Operation Flash Memory and 4M (256Kx16 Bit) Static RAM***

### ***Preliminary***

---

#### **Document Title**

**Stacked Multi-Chip Package (MCP) Flash Memory and SRAM, A82DL32x4T(U) 32 Megabit (4Mx8 Bit/2Mx16 Bit) CMOS 3.3 Volt-only, Simultaneous Operation Flash Memory and 4M (256Kx16 Bit) Static RAM**

#### **Revision History**

<b><u>Rev. No.</u></b>	<b><u>History</u></b>	<b><u>Issue Date</u></b>	<b><u>Remark</u></b>
0.0	Initial issue	August 21, 2005	Preliminary



## A82DL32x4T(U) Series

### **Stacked Multi-Chip Package (MCP) Flash Memory and SRAM, A82DL32x4T(U) 32 Megabit (4Mx8 Bit/2Mx16 Bit) CMOS 3.3 Volt-only, Simultaneous Operation Flash Memory and 4M (256Kx16 Bit) Static RAM**

#### **Preliminary**

---

#### **DISTINCTIVE CHARACTERISTICS**

##### **MCP Features**

- Single power supply operation 2.7 to 3.6 volt
- High Performance
  - Access time as fast as 70ns
- Package 69-Ball TFBGA (8x11x1.4 mm)
- Industrial operating temperature range: -40°C to 85°C for -U; -25°C to 85°C for -I

##### **Flash Features**

##### **ARCHITECTURAL ADVANTAGES**

- Simultaneous Read/Write operations
  - Data can be continuously read from one bank while executing erase/program functions in other bank
  - Zero latency between read and write operations
- Multiple bank architectures
  - Three devices available with different bank sizes (refer to Table 2)
- Package
  - 69-Ball TFBGA (8x11x1.4 mm)
- Top or bottom boot block
- Manufactured on 0.18  $\mu$ m process technology
  - Compatible with AM42DL32x4G devices
- Compatible with JEDEC standards
  - Pinout and software compatible with single-power-supply flash standard

##### **PERFORMANCE CHARACTERISTICS**

- High performance
  - Access time as fast as 70ns
  - Program time: 7 $\mu$ s/word typical utilizing Accelerate function
- Ultra low power consumption (typical values)
  - 2mA active read current at 1MHz
  - 10mA active read current at 5MHz
  - 200nA in standby or automatic sleep mode
- Minimum 1 million write cycles guaranteed per sector
- 20 Year data retention at 125°C
  - Reliable operation for the life of the system

##### **SOFTWARE FEATURES**

- Supports Common Flash Memory Interface (CFI)
- Erase Suspend/Erase Resume

- Suspends erase operations to allow programming in same bank
- Data Polling and Toggle Bit
  - Provides a software method of detecting the status of program or erase cycles
- Unlock Bypass Program command
  - Reduces overall programming time when issuing multiple program command sequences

##### **HARDWARE FEATURES**

- Any combination of sectors can be erased
- Ready/Busy output (RY/BY)
  - Hardware method for detecting program or erase cycle completion
- Hardware reset pin ( $\overline{\text{RESET}}$ )
  - Hardware method of resetting the internal state machine to reading array data
- $\overline{\text{WP}}$  /ACC input pin
  - Write protect ( $\overline{\text{WP}}$ ) function allows protection of two outermost boot sectors, regardless of sector protect status
  - Acceleration (ACC) function accelerates program timing
- Sector protection
  - Hardware method of locking a sector, either in-system or using programming equipment, to prevent any program or erase operation within that sector
  - Temporary Sector Unprotect allows changing data in protected sectors in-system

##### **LP SRAM Features**

- Power supply range: 2.7V to 3.6V
- Access times: 70 ns (max.)
- Current:
  - Very low power version: Operating: 35mA(max.)  
Standby: 10uA (max.)
- Full static operation, no clock or refreshing required
- All inputs and outputs are directly TTL-compatible
- Common I/O using three-state output
- Output enable and two chips enable inputs for easy application
- Data retention voltage: 2.0V (min.)

## GENERAL DESCRIPTION

The A82DL32x4T(U) family consists of 32 megabit, 3.0 volt-only flash memory devices, organized as 2,097,152 words of 16 bits each or 4,194,304 bytes of 8 bits each. Word mode data appears on I/O<sub>0</sub>–I/O<sub>15</sub>; byte mode data appears on I/O<sub>0</sub>–I/O<sub>7</sub>. The device is designed to be programmed in-system with the standard 3.0 volt VCC supply, and can also be programmed in standard EPROM programmers.

The device is available with an access time of 70ns. The devices are offered in 69-ball Fine-pitch BGA. Standard control pins—chip enable ( $\overline{CE\_F}$ ), write enable ( $\overline{WE}$ ), and output enable ( $\overline{OE}$ )—control normal read and write operations, and avoid bus contention issues.

The device requires only a **single 3.0 volt power supply** for both read and write functions. Internally generated and regulated voltages are provided for the program and erase operations.

### Simultaneous Read/Write Operations with Zero Latency

The Simultaneous Read/Write architecture provides **simultaneous operation** by dividing the memory space into two banks. The device can improve overall system performance by allowing a host system to program or erase in one bank, then immediately and simultaneously read from the other bank, with zero latency. This releases the system from waiting for the completion of program or erase operations.

The A82DL32x4T(U) devices uses multiple bank architectures to provide flexibility for different applications. Three devices are available with these bank sizes:

Device	Bank 1	Bank 2
DL3224	4 Mb	28 Mb
DL3234	8 Mb	24 Mb
DL3244	16 Mb	16 Mb

### A82DL32x4T(U) Features

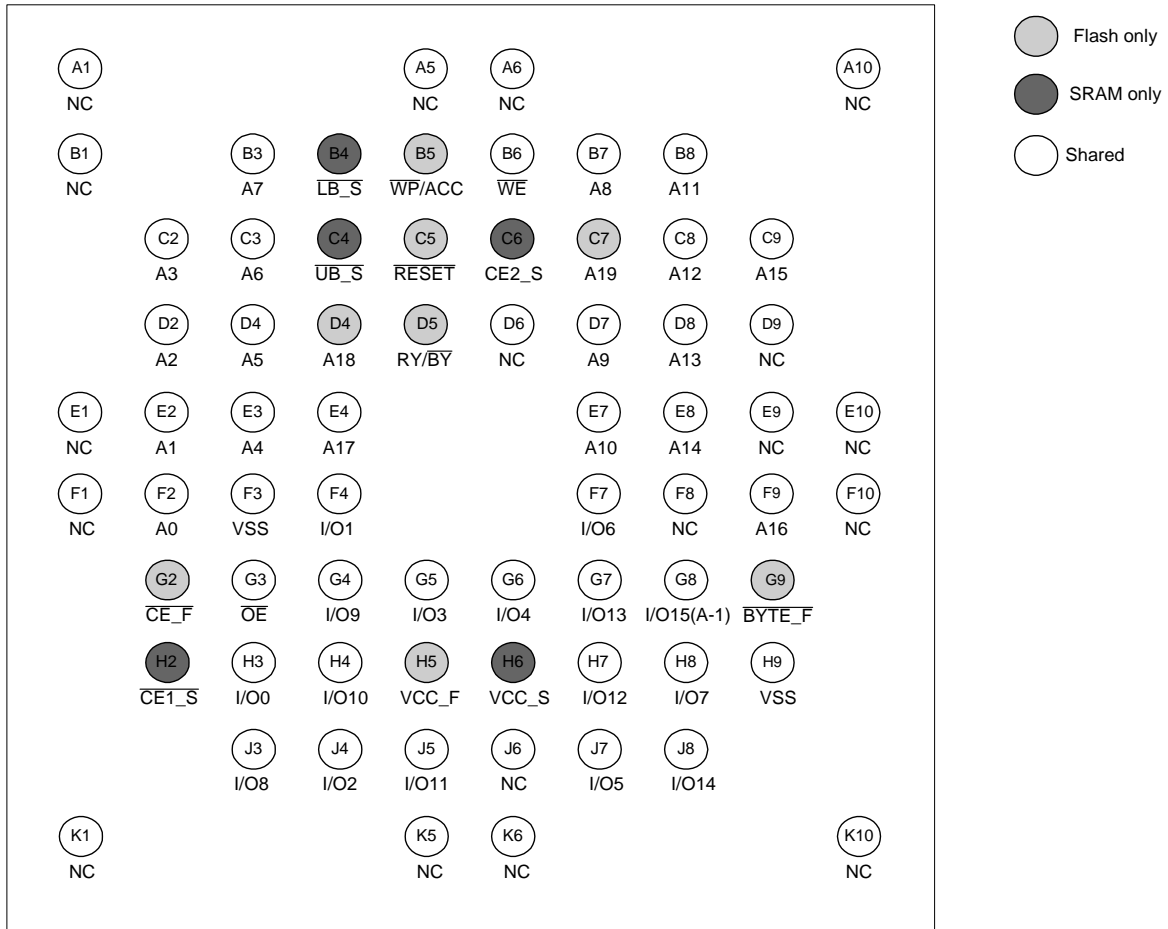
The device offers complete compatibility with the **JEDEC single-power-supply Flash command set standard**. Commands are written to the command register using standard microprocessor write timings. Reading data out of the device is similar to reading from other Flash or EPROM devices.

The host system can detect whether a program or erase operation is complete by using the device **status bits**: RY/BY pin, I/O<sub>7</sub> ( $\overline{Data}$  Polling) and I/O<sub>6</sub>/I/O<sub>2</sub> (toggle bits). After a program or erase cycle has been completed, the device automatically returns to reading array data.

The **sector erase architecture** allows memory sectors to be erased and reprogrammed without affecting the data contents of other sectors. The device is fully erased when shipped from the factory.

**Hardware data protection** measures include a low VCC detector that automatically inhibits write operations during power transitions. The **hardware sector protection** feature disables both program and erase operations in any combination of the sectors of memory. This can be achieved in-s y s t e m or via programming equipment.

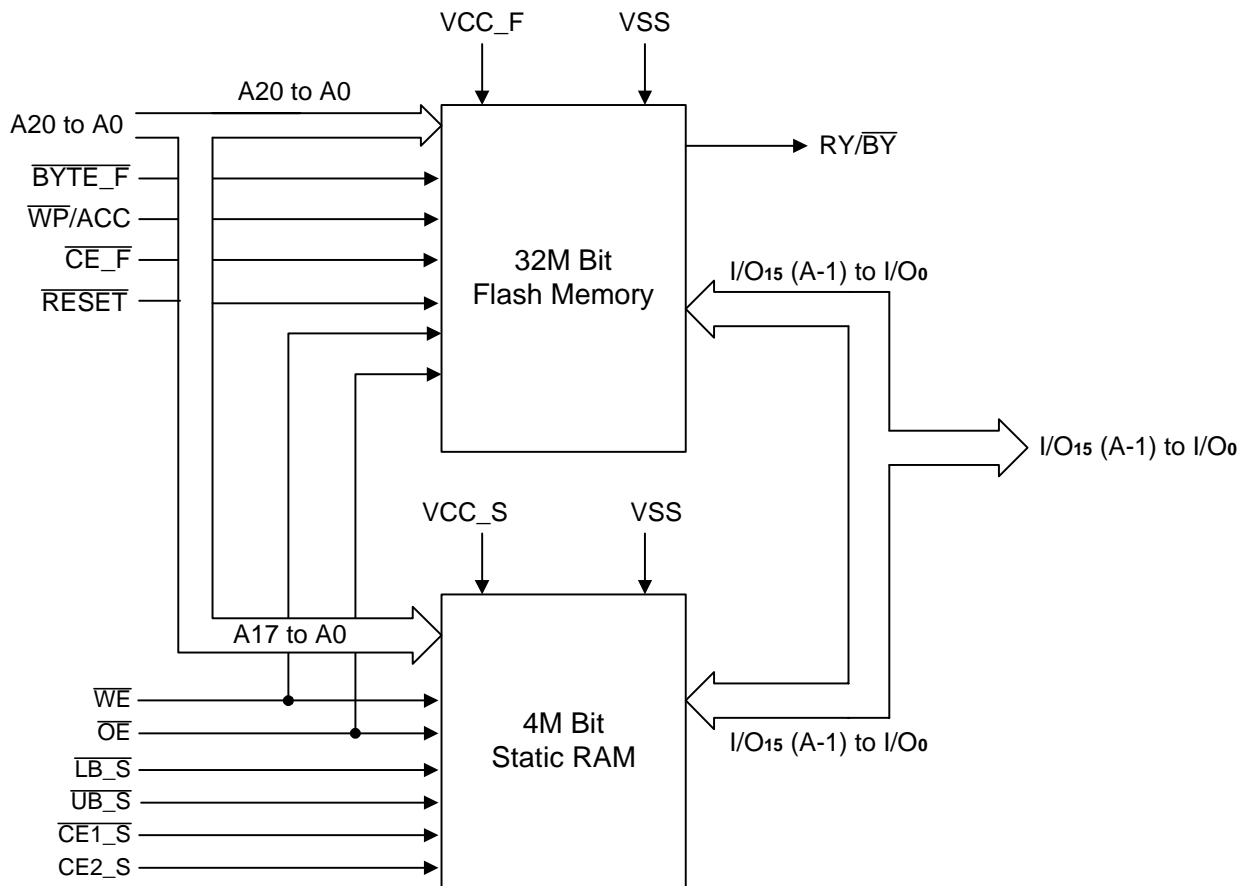
The device offers two power-saving features. When addresses have been stable for a specified amount of time, the device enters the **automatic sleep mode**. The system can also place the device into the **standby mode**. Power consumption is greatly reduced in both modes.

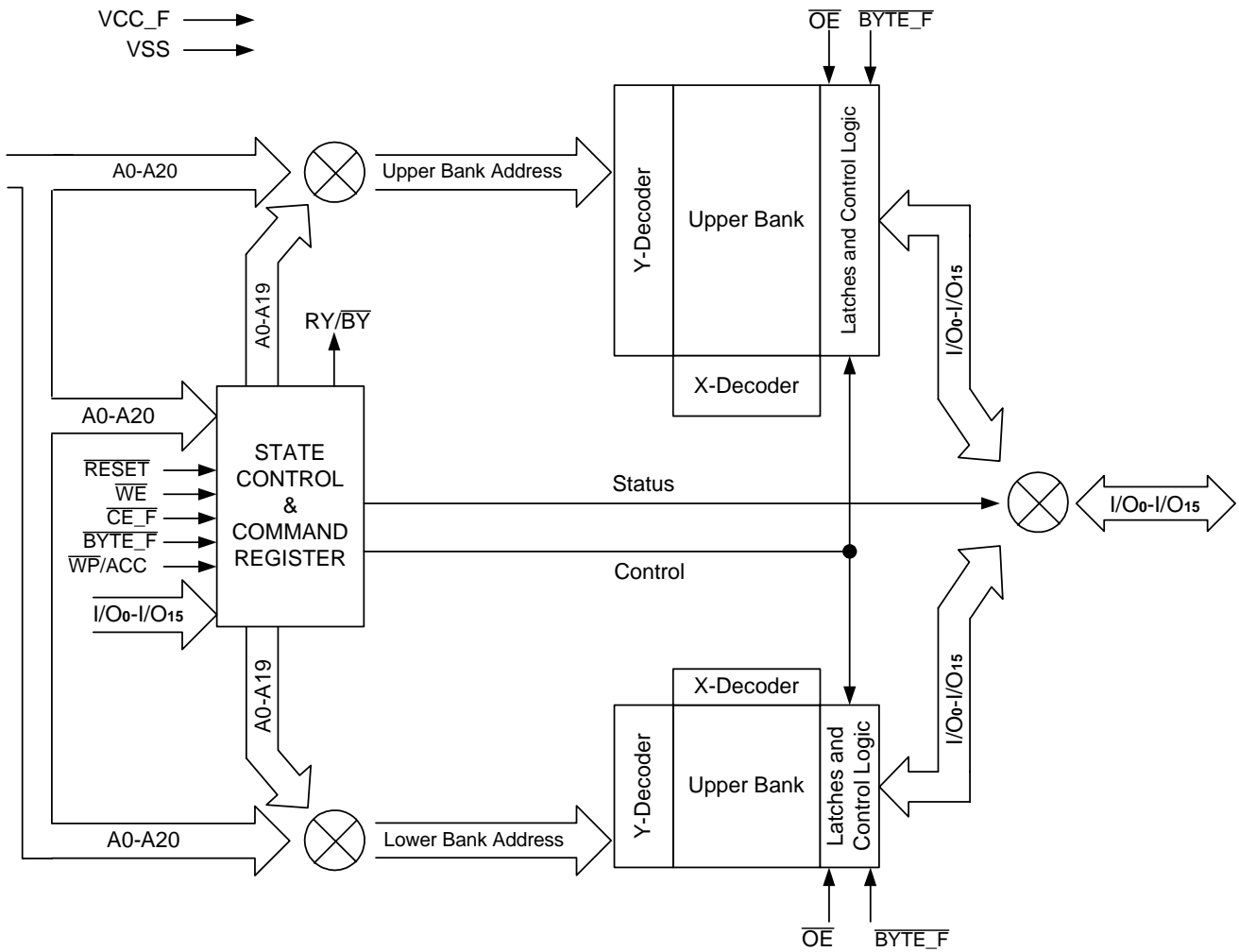
**Pin Configurations**
**■ 69-Ball TFBGA  
Top View**

**Special Handling Instructions for TFBGA Package**

Special handling is required for Flash Memory products in TFBGA packages. Flash memory devices in TFBGA packages may be damaged if exposed to ultrasonic cleaning methods. The package and/or data integrity may be compromised if the package body is exposed to temperatures above 150°C for prolonged periods of time

**Product Information Guide**

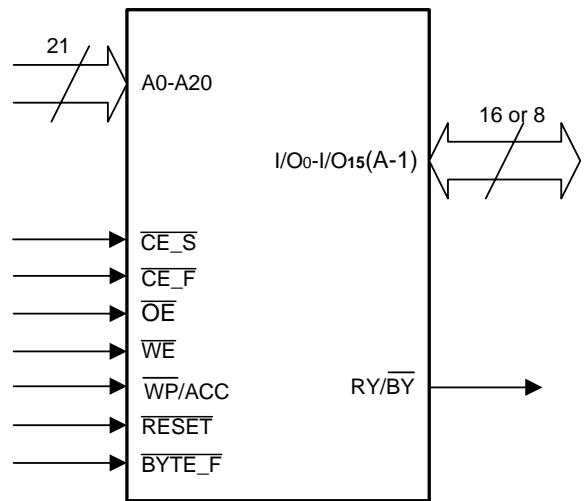
Part Number		A82DL32x4T(U)
Speed Options	Standard Voltage Range: VCC_F/VCC_S=2.7-3.6V	70
Max Access Time (ns)		70
CE_F/CE_S Access (ns)		70
OE Access (ns)		40

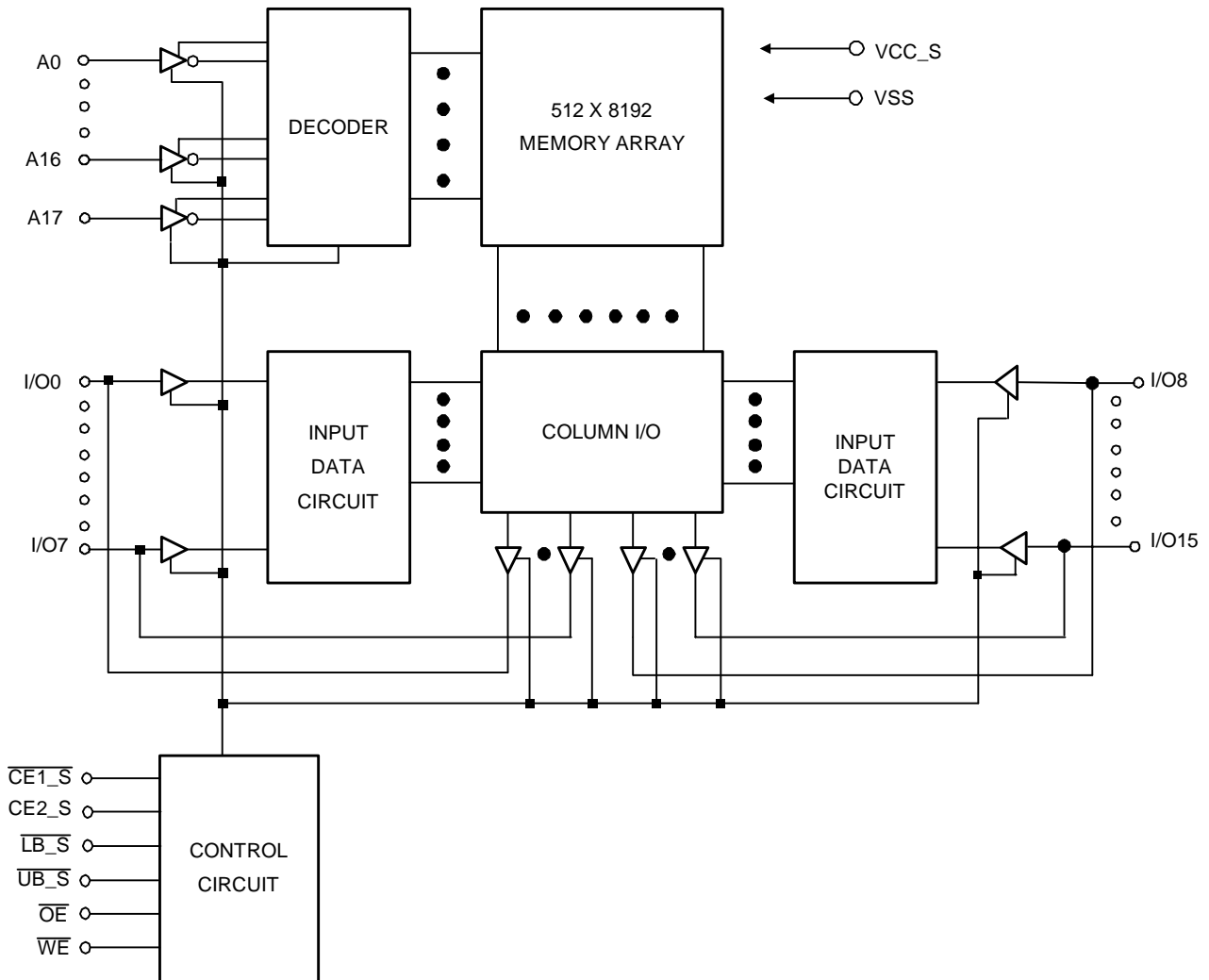
**MCP Block Diagram**


**Flash Block Diagram**


**Pin Descriptions**

Pin No.	Description	
A0 – A20	Address Inputs	
I/O <sub>0</sub> - I/O <sub>14</sub>	Data Inputs/Outputs	
I/O <sub>15</sub> (A-1)	I/O <sub>15</sub>	Data Input/Output, Word Mode
	A-1	LSB Address Input, Byte Mode
$\overline{\text{CE}}_F$	Chip Enable (Flash)	
$\overline{\text{CE}}_S$	Chip Enable (SRAM)	
$\overline{\text{WE}}$	Write Enable	
$\overline{\text{OE}}$	Output Enable	
$\overline{\text{WP}}/\text{ACC}$	Hardware Write Protect/Acceleration Pin	
$\overline{\text{RESET}}$	Hardware Reset Pin, Active Low	
$\overline{\text{BYTE}}_F$	Selects 8-bit or 16-bit Mode	
$\text{RY}/\overline{\text{BY}}$	Ready/ $\overline{\text{BUSY}}$ Output	
VSS	Ground	
VCC <sub>F</sub>	Power Supply (Flash)	
VCC <sub>S</sub>	Power Supply (SRAM)	
NC	Pin Not Connected Internally	

**Logic Symbol**


**SRAM Block Diagram**




**DEVICE BUS OPERATIONS**

This section describes the requirements and use of the device bus operations, which are initiated through the internal command register. The command register itself does not occupy any addressable memory location. The register is composed of latches that store the commands, along with the address and data information needed to execute the

command. The contents of the register serve as inputs to the internal state machine. The state machine outputs dictate the function of the device. The appropriate device bus operations table lists the inputs and control levels required, and the resulting output. The following subsections describe each of these operations in further detail.

**Table 1-1. Device Bus Operations – Flash Byte Mode ( $\overline{\text{BYTE\_F}} = V_{IH}$ )**

Operation (Notes 1, 2)	$\overline{\text{CE\_F}}$	$\overline{\text{CE1\_S}}$	$\text{CE2\_S}$	$\overline{\text{OE}}$	$\overline{\text{WE}}$	A0- A20	$\overline{\text{LB\_S}}$ (Note3)	$\overline{\text{UB\_S}}$ (Note3)	$\overline{\text{RESET}}$	$\overline{\text{WP/ACC}}$ (Note 4)	I/O7- I/O0	I/O15- I/O0
Read from Flash	L	H	X	L	H	A <sub>IN</sub>	X	X	H	L/H	I <sub>OUT</sub>	I <sub>OUT</sub>
		X	L									
Write to Flash	L	H	X	H	L	A <sub>IN</sub>	X	X	H	(Note 4)	I <sub>IN</sub>	I <sub>IN</sub>
		X	L									
Standby	$V_{CC} \pm 0.3 V$	H	X	X	X	X	X	X	$V_{CC} \pm 0.3 V$	H	High-Z	High-Z
		X	L									
Output Disable	L	L	H	H	H	X	L	X	H	L/H	High-Z	High-Z
							X	L				
Flash Hardware Reset	X	H	X	X	X	X	X	X	L	L/H	High-Z	High-Z
		X	L									
		H	X									
Sector Protect (Notes)	L	X	L	H	L	SA, A6 = L, A1 = H, A0 = L	X	X	V <sub>ID</sub>	L/H	I <sub>IN</sub>	X
		H	X									
Sector Unprotect (Note 5)	L	X	L	H	L	SA, A6 = H, A1 = H, A0 = L	X	X	V <sub>ID</sub>	(Note 6)	I <sub>IN</sub>	X
Temporary Sector Unprotect	X	H	X	X	X	A <sub>IN</sub>	X	X	V <sub>ID</sub>	(Note 6)	I <sub>IN</sub>	High-Z
		X	L								I <sub>OUT</sub>	I <sub>OUT</sub>
Read from SRAM	H	L	H	L	H	A <sub>IN</sub>	H	L	H	X	High-Z	I <sub>OUT</sub>
							L	H			I <sub>OUT</sub>	High-Z
							L	L			I <sub>IN</sub>	I <sub>IN</sub>
Write to SRAM	H	L	H	X	L	A <sub>IN</sub>	H	L	H	X	High-Z	I <sub>IN</sub>
							L	H			I <sub>IN</sub>	High-Z

Legend: L = Logic Low =  $V_{IL}$ , H = Logic High =  $V_{IH}$ ,  $V_{ID} = 8.5-12.5 V$ ,  $V_{HH} = 9.0 \pm 0.5 V$ , X = Don't Care, SA = Sector Address, A<sub>IN</sub> = Address In, I<sub>IN</sub> = Data In, I<sub>OUT</sub> = Data Out

Notes:

1. Other operations except for those indicated in this column are inhibited.
2. Do not apply  $\overline{\text{CE\_F}} = V_{IL}$ ,  $\overline{\text{CE1\_S}} = V_{IL}$  and  $\text{CE2\_S} = V_{IH}$  at the same time.
3. Don't care or open  $\overline{\text{LB\_S}}$  or  $\overline{\text{UB\_S}}$ .
4. The sector protect and sector unprotect functions may also be implemented via programming equipment. See the "Sector/Sector Block Protection and Unprotection" section.
5. If  $\overline{\text{WP/ACC}} = V_{IL}$ , the two outermost boot sectors remain protected. If  $\overline{\text{WP/ACC}} = V_{IH}$ , the two outermost boot sector protection depends on whether they were last protected or unprotected using the method described in "Sector/Sector Block Protection and Unprotection". If  $\overline{\text{WP/ACC}} = V_{HH}$ , all sectors will be unprotected.

**Table 1-2. Device Bus Operations – Flash Byte Mode ( $\overline{\text{BYTE\_F}} = V_{IL}$ )**

Operation (Notes 1, 2)	$\overline{\text{CE\_F}}$	$\overline{\text{CE1\_S}}$	$\overline{\text{CE2\_S}}$	$\overline{\text{OE}}$	$\overline{\text{WE}}$	A0-A20	$\overline{\text{LB\_S}}$ (Note3)	$\overline{\text{UB\_S}}$ (Note3)	RESET	$\overline{\text{WP/ACC}}$ (Note 4)	I/O7– I/O0	I/O15– I/O8
Read from Flash	L	H	X	L	H	A <sub>IN</sub>	X	X	H	L/H	I <sub>OUT</sub>	High-Z
		X	L									
Write to Flash	L	H	X	H	L	A <sub>IN</sub>	X	X	H	(Note 3)	I <sub>IN</sub>	I/O14–8 =Hi-Z; I/O15=A-1
		X	L									
Standby	$V_{CC} \pm 0.3 V$	H	X	X	X	X	X	X	$V_{CC\_F} \pm 0.3 V$	H	High-Z	High-Z
		X	L									
Output Disable	L	L	H	H	H	X	L	X	H	L/H	High-Z	High-Z
				H	X	X	X	L				
Flash Hardware Reset	X	H	X	X	X	X	X	X	L	L/H	High-Z	High-Z
		X	L									
Sector Protect (Notes)	L	H	X	H	L	SA, A6 = L, A1 = H, A0 = L	X	X	V <sub>ID</sub>	L/H	I <sub>IN</sub>	X
		X	L									
Sector Unprotect (Note 5)	L	H	X	H	L	SA, A6 = H, A1 = H, A0 = L	X	X	V <sub>ID</sub>	(Note 6)	I <sub>IN</sub>	X
		X	L									
Temporary Sector Unprotect	X	H	X	X	X	A <sub>IN</sub>	X	X	V <sub>ID</sub>	(Note 6)	I <sub>IN</sub>	High-Z
		X	L									
Read from SRAM	H	L	H	L	H	A <sub>IN</sub>	H	L	H	X	I <sub>OUT</sub>	I <sub>OUT</sub>
							H	L			High-Z	I <sub>OUT</sub>
							L	H			I <sub>OUT</sub>	High-Z
Write to SRAM	H	L	H	X	L	A <sub>IN</sub>	H	L	H	X	I <sub>IN</sub>	I <sub>IN</sub>
							L	H			High-Z	I <sub>IN</sub>
							L	H			I <sub>IN</sub>	High-Z

Legend: L = Logic Low =  $V_{IL}$ , H = Logic High =  $V_{IH}$ ,  $V_{ID} = 8.5\text{--}12.5 V$ ,  $V_{HH} = 9.0 \pm 0.5 V$ , X = Don't Care, SA = Sector Address, A<sub>IN</sub> = Address In (for Flash Byte Mode, I/O15=A-1), I<sub>IN</sub> = Data In, I<sub>OUT</sub> = Data Out

**Notes:**

- Other operations except for those indicated in this column are inhibited.
- Do not apply  $\overline{\text{CE\_F}} = V_{IL}$ ,  $\overline{\text{CE1\_S}} = V_{IL}$  and  $\overline{\text{CE2\_S}} = V_{IH}$  at the same time.
- Don't care or open  $\overline{\text{LB\_S}}$  or  $\overline{\text{UB\_S}}$ .
- The sector protect and sector unprotect functions may also be implemented via programming equipment. See the "Sector/Sector Block Protection and Unprotection" section.
- If  $\overline{\text{WP/ACC}} = V_{IL}$ , the two outermost boot sectors remain protected. If  $\overline{\text{WP/ACC}} = V_{IH}$ , the two outermost boot sector protection depends on whether they were last protected or unprotected using the method described in "Sector/Sector Block Protection and Unprotection". If  $\overline{\text{WP/ACC}} = V_{HH}$ , all sectors will be unprotected.

## Word/Byte Configuration

The  $\overline{\text{BYTE\_F}}$  pin determines whether the I/O pins I/O<sub>15</sub>-I/O<sub>0</sub> operate in the byte or word configuration. If the  $\overline{\text{BYTE\_F}}$  pin is set at logic "1", the device is in word configuration, I/O<sub>15</sub>-I/O<sub>0</sub> are active and controlled by  $\overline{\text{CE\_F}}$  and  $\overline{\text{OE}}$ .

If the  $\overline{\text{BYTE\_F}}$  pin is set at logic "0", the device is in byte configuration, and only I/O<sub>6</sub>-I/O<sub>7</sub> are active and controlled by  $\overline{\text{CE\_F}}$  and  $\overline{\text{OE}}$ . I/O<sub>8</sub>-I/O<sub>14</sub> are tri-stated, and I/O<sub>15</sub> pin is used as an input for the LSB(A-1) address function.

## Requirements for Reading Array Data

To read array data from the outputs, the system must drive the  $\overline{\text{CE\_F}}$  and  $\overline{\text{OE}}$  pins to  $V_{\text{IL}}$ .  $\overline{\text{CE\_F}}$  is the power control and selects the device.  $\overline{\text{OE}}$  is the output control and gates array data to the output pins.  $\overline{\text{WE}}$  should remain at  $V_{\text{H}}$ . The  $\overline{\text{BYTE\_F}}$  pin determines whether the device outputs array data in words or bytes.

The internal state machine is set for reading array data upon device power-up, or after a hardware reset. This ensures that no spurious alteration of the memory content occurs during the power transition. No command is necessary in this mode to obtain array data. Standard microprocessor read cycles that assert valid addresses on the device address inputs produce valid data on the device data outputs. Each bank remains enabled for read access until the command register contents are altered.

See "Requirements for Reading Array Data" for more information. Refer to the AC Read-Only Operations table for timing specifications and to Figure 11 for the timing waveform,  $\text{lcc1\_F}$  in the DC Characteristics table represents the active current specification for reading array data.

## Writing Commands/Command Sequences

To write a command or command sequence (which includes programming data to the device and erasing sectors of memory), the system must drive  $\overline{\text{WE}}$  and  $\overline{\text{CE\_F}}$  to  $V_{\text{IL}}$ , and  $\overline{\text{OE}}$  to  $V_{\text{H}}$ .

For program operations, the  $\overline{\text{BYTE\_F}}$  pin determines whether the device accepts program data in bytes or words. Refer to "Word/Byte Configuration" for more information.

The device features an Unlock Bypass mode to facilitate faster programming. Once a bank enters the Unlock Bypass mode, only two write cycles are required to program a word or byte, instead of four. The "Word / Byte Program Command Sequence" section has details on programming data to the device using both standard and Unlock Bypass command sequence.

An erase operation can erase one sector, multiple sectors, or the entire device. The Sector Address Tables 3-4 indicate the address range that each sector occupies. The device address space is divided into two banks: Bank 1 contains the boot/parameter sectors, and Bank 2 contains the larger, code sectors of uniform size. A "bank address" is the address bits required to uniquely select a bank. Similarly, a "sector address" is the address bits required to uniquely select a sector.

$\text{lcc2\_F}$  in the DC Characteristics table represents the active current specification for the write mode. The "AC

Characteristics" section contains timing specification tables and timing diagrams for write operations.

## Accelerated Program Operation

The device offers accelerated program operations through the ACC function. This is one of two functions provided by the  $\overline{\text{WP\_ACC}}$  pin. This function is primarily intended to allow faster manufacturing throughput at the factory.

If the system asserts  $V_{\text{H}}$  on this pin, the device automatically enters the aforementioned Unlock Bypass mode, temporarily unprotects any protected sectors, and uses the higher voltage on the pin to reduce the time required for program operations. The system would use a two-cycle program command sequence as required by the Unlock Bypass mode. Removing  $V_{\text{H}}$  from the  $\overline{\text{WP\_ACC}}$  pin returns the device to normal operation. Note that the  $\overline{\text{WP\_ACC}}$  pin must not be at  $V_{\text{H}}$  for operations other than accelerated programming, or device damage may result. In addition, the  $\overline{\text{WP\_ACC}}$  pin must not be left floating or unconnected; inconsistent behavior of the device may result.

## Autoselect Functions

If the system writes the autoselect command sequence, the device enters the autoselect mode. The system can then read autoselect codes from the internal register (which is separate from the memory array) on I/O<sub>7</sub>-I/O<sub>0</sub>. Standard read cycle timings apply in this mode. Refer to the Autoselect Mode and Autoselect Command Sequence sections for more information.

## Simultaneous Read/Write Operations with Zero Latency

This device is capable of reading data from one bank of memory while programming or erasing in the other bank of memory. An erase operation may also be suspended to read from or program to another location within the same bank (except the sector being erased). Figure 18 shows how read and write cycles may be initiated for simultaneous operation with zero latency.  $\text{lcc6\_F}$  and  $\text{lcc7\_F}$  in the DC Characteristics table represent the current specifications for read-while-program and read-while-erase, respectively.

## Standby Mode

When the system is not reading or writing to the device, it can place the device in the standby mode. In this mode, current consumption is greatly reduced, and the outputs are placed in the high impedance state, independent of the  $\overline{\text{OE}}$  input.

The device enters the CMOS standby mode when the  $\overline{\text{CE\_F}}$  &  $\overline{\text{RESET}}$  pins are both held at  $V_{\text{CC\_F}} \pm 0.3V$ . (Note that this is a more restricted voltage range than  $V_{\text{H}}$ .) If  $\overline{\text{CE\_F}}$  and  $\overline{\text{RESET}}$  are held at  $V_{\text{H}}$ , but not within  $V_{\text{CC\_F}} \pm 0.3V$ , the device will be in the standby mode, but the standby current will be greater. The device requires the standard access time ( $t_{\text{CE}}$ ) for read access when the device is in either of these standby modes, before it is ready to read data.

If the device is deselected during erasure or programming, the device draws active current until the operation is completed.

$\text{lcc3\_F}$  in the DC Characteristics tables represent the standby current specification.

### Automatic Sleep Mode

The automatic sleep mode minimizes Flash device energy consumption. The device automatically enables this mode when addresses remain stable for  $t_{acc} + 30ns$ . The automatic sleep mode is independent of the  $\overline{CE}_F$ ,  $\overline{WE}$  and  $\overline{OE}$  control signals. Standard address access timings provide new data when addresses are changed. While in sleep mode, output data is latched and always available to the system.  $I_{cc4_F}$  in the DC Characteristics table represents the automatic sleep mode current specification.

### $\overline{RESET}$ : Hardware Reset Pin

The  $\overline{RESET}$  pin provides a hardware method of resetting the device to reading array data. When the system drives the  $\overline{RESET}$  pin low for at least a period of  $t_{RP}$ , the device immediately terminates any operation in progress, tristates all data output pins, and ignores all read/write attempts for the duration of the  $\overline{RESET}$  pulse. The device also resets the internal state machine to reading array data. The operation that was interrupted should be reinitiated once the device is ready to accept another command sequence, to ensure data integrity.

Current is reduced for the duration of the  $\overline{RESET}$  pulse. When  $\overline{RESET}$  is held at  $V_{SS} \pm 0.3V$ , the device draws CMOS standby current ( $I_{cc4_F}$ ). If  $\overline{RESET}$  is held at  $V_{IL}$  but not within  $V_{SS} \pm 0.3V$ , the standby current will be greater.

The  $\overline{RESET}$  pin may be tied to the system reset circuitry. A system reset would thus also reset the Flash memory, enabling the system to read the boot-up firmware from the Flash memory.

If  $\overline{RESET}$  is asserted during a program or erase operation, the  $\overline{RY}/\overline{BY}$  pin remains a "0" (busy) until the internal reset operation is complete, which requires a time  $t_{READY}$  (during Embedded Algorithms). The system can thus monitor  $\overline{RY}/\overline{BY}$  to determine whether the reset operation is complete. If  $\overline{RESET}$  is asserted when a program or erase operation is not executing ( $\overline{RY}/\overline{BY}$  pin is "1"), the reset operation is completed within a time of  $t_{READY}$  (not during Embedded Algorithms). The system can read data  $t_{RH}$  after the  $\overline{RESET}$  pin return to  $V_{IH}$ .

Refer to the AC Characteristics tables for  $\overline{RESET}$  parameters and diagram.

### Output Disable Mode

When the  $\overline{OE}$  input is at  $V_{IH}$ , output from the device is disabled. The output pins are placed in the high impedance state.

**Table 2. A82DL32x4T(U) Device Bank Divisions**

Device Part Number	Bank 1		Bank 2	
	Megabits	Sector Sizes	Megabits	Sector Sizes
A82DL3224	4 Mbit	Eight 8 Kbyte/4 Kword, three 64 Kbyte/32 Kword	28 Mbit	Fifty-six 64 Kbyte/32 Kword
A82DL3234	8 Mbit	Eight 8 Kbyte/4 Kword, seven 64 Kbyte/32 Kword	24 Mbit	Forty-eight 64 Kbyte/32 Kword
A82DL3244	16 Mbit	Eight 8 Kbyte/4 Kword, fifteen 64 Kbyte/32 Kword	16 Mbit	Thirty-two 64 Kbyte/32 Kword

**Table 3. Sector Addresses for Top Boot Sector Devices**

A29DL324T	A29DL323T	A29DL322T	Sector	Sector Address A20–A12	Sector Size (Kbytes/Kwords)	(x8) Address Range	(x16) Address Range			
Bank 2	Bank 2	Bank 2	SA0	00000xxx	64/32	000000h-00FFFFh	000000h-007FFFh			
			SA1	000001xxx	64/32	010000h-01FFFFh	008000h-00FFFFh			
			SA2	000010xxx	64/32	020000h-02FFFFh	010000h-017FFFh			
			SA3	000011xxx	64/32	030000h-03FFFFh	018000h-1FFFFFh			
			SA4	000100xxx	64/32	040000h-04FFFFh	020000h-027FFFh			
			SA5	000101xxx	64/32	050000h-05FFFFh	028000h-02FFFFh			
			SA6	000110xxx	64/32	060000h-06FFFFh	030000h-037FFFh			
			SA7	000111xxx	64/32	070000h-07FFFFh	038000h-03FFFFh			
			SA8	001000xxx	64/32	080000h-08FFFFh	040000h-047FFFh			
			SA9	001001xxx	64/32	090000h-09FFFFh	048000h-04FFFFh			
			SA10	001010xxx	64/32	0A0000h-0AFFFFh	050000h-057FFFh			
			SA11	001011xxx	64/32	0B0000h-0BFFFFh	058000h-05FFFFh			
			SA12	001100xxx	64/32	0C0000h-0CFFFFh	060000h-067FFFh			
			SA13	001101xxx	64/32	0D0000h-0DFFFFh	068000h-06FFFFh			
			SA14	001110xxx	64/32	0E0000h-0EFFFFh	070000h-077FFFh			
			SA15	001111xxx	64/32	0F0000h-0FFFFFh	078000h-07FFFFh			
			SA16	010000xxx	64/32	100000h-10FFFFh	080000h-087FFFh			
			SA17	010001xxx	64/32	110000h-11FFFFh	088000h-08FFFFh			
			SA18	010010xxx	64/32	120000h-12FFFFh	090000h-097FFFh			
			SA19	010011xxx	64/32	130000h-13FFFFh	098000h-09FFFFh			
			SA20	010100xxx	64/32	140000h-14FFFFh	0A0000h-0A7FFFh			
			SA21	010101xxx	64/32	150000h-15FFFFh	0A8000h-0AFFFFh			
			SA22	010110xxx	64/32	160000h-16FFFFh	0B0000h-0B7FFFh			
			SA23	010111xxx	64/32	170000h-17FFFFh	0B8000h-0BFFFFh			
			SA24	011000xxx	64/32	180000h-18FFFFh	0C0000h-0C7FFFh			
			SA25	011001xxx	64/32	190000h-19FFFFh	0C8000h-0CFFFFh			
			SA26	011010xxx	64/32	1A0000h-1AFFFFh	0D0000h-0D7FFFh			
			SA27	011011xxx	64/32	1B0000h-1BFFFFh	0D8000h-0DFFFFh			
			SA28	011100xxx	64/32	1C0000h-1CFFFFh	0E0000h-0E7FFFh			
			SA29	011101xxx	64/32	1D0000h-1DFFFFh	0E8000h-0EFFFFh			
			SA30	011110xxx	64/32	1E0000h-1EFFFFh	0F0000h-0F7FFFh			
			SA31	011111xxx	64/32	1F0000h-1FFFFFh	0F8000h-0FFFFFh			
			Bank 1	Bank 2	Bank 2	SA32	10000xxx	64/32	200000h-20FFFFh	100000h-107FFFh
						SA33	100001xxx	64/32	210000h-21FFFFh	108000h-10FFFFh
						SA34	100010xxx	64/32	220000h-22FFFFh	110000h-117FFFh
						SA35	100011xxx	64/32	230000h-23FFFFh	118000h-11FFFFh
						SA36	100100xxx	64/32	240000h-24FFFFh	120000h-127FFFh
						SA37	100101xxx	64/32	250000h-25FFFFh	128000h-12FFFFh
						SA38	100110xxx	64/32	260000h-26FFFFh	130000h-137FFFh
						SA39	100111xxx	64/32	270000h-27FFFFh	138000h-13FFFFh
						SA40	101000xxx	64/32	280000h-28FFFFh	140000h-147FFFh
						SA41	101001xxx	64/32	290000h-29FFFFh	148000h-14FFFFh
						SA42	101010xxx	64/32	2A0000h-2AFFFFh	150000h-157FFFh
						SA43	101011xxx	64/32	2B0000h-2BFFFFh	158000h-15FFFFh
						SA44	101100xxx	64/32	2C0000h-2CFFFFh	160000h-167FFFh
						SA45	101101xxx	64/32	2D0000h-2DFFFFh	168000h-16FFFFh
						SA46	101110xxx	64/32	2E0000h-2EFFFFh	170000h-177FFFh
SA47	101111xxx	64/32				2F0000h-2FFFFFh	178000h-17FFFFh			

**Table 3 Sector Addresses for Top Boot Sector Devices**

A29DL324T	A29DL323T	A29DL322T	Sector	Sector Address A20–A12	Sector Size (Kbytes/Kwords)	(x8) Address Range	(x16) Address Range
Bank 1	Bank 1	Bank 2	SA48	000000xxx	64/32	300000h-30FFFFh	180000h–187FFFh
			SA49	000001xxx	64/32	310000h-31FFFFh	188000h–18FFFFh
			SA50	000010xxx	64/32	320000h-32FFFFh	190000h–197FFFh
			SA51	000011xxx	64/32	330000h-33FFFFh	198000h–19FFFFh
			SA52	000100xxx	64/32	340000h-34FFFFh	1A0000h–1A7FFFh
			SA53	000101xxx	64/32	350000h-35FFFFh	1A8000h–1AFFFFh
			SA54	000110xxx	64/32	360000h-36FFFFh	1B0000h–1B7FFFh
		SA55	000111xxx	64/32	370000h-37FFFFh	1B8000h–1BFFFFh	
		Bank 1	SA56	001000xxx	64/32	380000h-38FFFFh	1C0000h–1C7FFFh
			SA57	001001xxx	64/32	390000h-39FFFFh	1C8000h–1CFFFFh
			SA58	001010xxx	64/32	3A0000h-3AFFFFh	1D0000h–1D7FFFh
			SA59	001011xxx	64/32	3B0000h-3BFFFFh	1D8000h–1DFFFFh
			SA60	001100xxx	64/32	3C0000h-3CFFFFh	1E0000h–1E7FFFh
			SA61	001101xxx	64/32	3D0000h-3DFFFFh	1E8000h–1EFFFFh
			SA62	001110xxx	64/32	3E0000h-3EFFFFh	1F0000h–1F7FFFh
			SA63	001111xxx	8/4	3F0000h-3FFFFFFh	1F8000h–1F8FFFh
			SA64	010000xxx	8/4	3F2000h-3F3FFFh	1F9000h–1F9FFFh
			SA65	010001xxx	8/4	3F4000h-3F5FFFh	1FA000h–1FAFFFh
			SA66	010010xxx	8/4	3F6000h-3F7FFFh	1FB000h–1FBFFFh
			SA67	010011xxx	8/4	3F8000h-3F9FFFh	1FC000h–1FCFFFh
SA68	010100xxx		8/4	3FA000h-3FBFFFh	1FD000h–1FDFFFh		
SA69	010101xxx	8/4	3FC000h-3FDFFFh	1FE000h–1FEFFFh			
SA70	010110xxx	8/4	3FE000h-3FFFFFFh	1FF000h–1FFFFFFh			

Note:

The address range is A20: A-1 in byte mode ( $\overline{\text{BYTE\_F}} = \text{VIL}$ ) or A20:A0 in word mode ( $\overline{\text{BYTE\_F}} = \text{VIH}$ ). The bank address bits are A20-A18 for A29DL3224T, A20 and A19 for A29DL3234T, and A20 for A29DL3244T.

**Table 4. Sector Addresses for Bottom Boot Sector Devices**

A29DL324U	A29DL323U	A29DL322U	Sector	Sector Address A20–A12	Sector Size (Kbytes/Kwords)	(x8) Address Range	(x16) Address Range
Bank 2	Bank 1	Bank 1	SA0	00000000	8/4	000000h-001FFFh	000000h-000FFFh
			SA1	00000001	8/4	002000h-003FFFh	001000h-001FFFh
			SA2	00000010	8/4	004000h-005FFFh	002000h-002FFFh
			SA3	00000011	8/4	006000h-007FFFh	003000h-003FFFh
			SA4	000000100	8/4	008000h-009FFFh	004000h-004FFFh
			SA5	000000101	8/4	00A000h-00BFFFh	005000h-005FFFh
			SA6	000000110	8/4	00C000h-00DFFFh	006000h-006FFFh
			SA7	000000111	8/4	00E000h-00FFFFh	007000h-007FFFh
			SA8	000001XXX	64/32	010000h-01FFFFh	008000h-00FFFFh
			SA9	000010XXX	64/32	020000h-02FFFFh	010000h-017FFFh
			SA10	000011XXX	64/32	030000h-03FFFFh	018000h-01FFFFh
			SA11	000100XXX	64/32	040000h-04FFFFh	020000h-027FFFh
			SA12	000101XXX	64/32	050000h-05FFFFh	028000h-02FFFFh
			SA13	000110XXX	64/32	060000h-06FFFFh	030000h-037FFFh
		SA14	000111XXX	64/32	070000h-07FFFFh	038000h-03FFFFh	
		SA15	001000XXX	64/32	080000h-08FFFFh	040000h-047FFFh	
		SA16	001001XXX	64/32	090000h-09FFFFh	048000h-04FFFFh	
		SA17	001010XXX	64/32	0A0000h-0AFFFFh	050000h-057FFFh	
		SA18	001011XXX	64/32	0B0000h-0BFFFFh	058000h-05FFFFh	
		SA19	001100XXX	64/32	0C0000h-0CFFFFh	060000h-067FFFh	
		SA20	001101XXX	64/32	0D0000h-0DFFFFh	068000h-06FFFFh	
	SA21	001110XXX	64/32	0E0000h-0EFFFFh	070000h-077FFFh		
	SA22	001111XXX	64/32	0F0000h-0FFFFFh	078000h-07FFFFh		
	SA23	010000XXX	64/32	100000h-10FFFFh	080000h-087FFFh		
	SA24	010001XXX	64/32	110000h-11FFFFh	088000h-08FFFFh		
	SA25	010010XXX	64/32	120000h-12FFFFh	090000h-097FFFh		
	SA26	010011XXX	64/32	130000h-13FFFFh	098000h-09FFFFh		
	SA27	010100XXX	64/32	140000h-14FFFFh	0A0000h-0A7FFFh		
	SA28	010101XXX	64/32	150000h-15FFFFh	0A8000h-0AFFFFh		
	SA29	010110XXX	64/32	160000h-16FFFFh	0B0000h-0B7FFFh		
	SA30	010111XXX	64/32	170000h-17FFFFh	0B8000h-0BFFFFh		
	SA31	011000XXX	64/32	180000h-18FFFFh	0C0000h-0C7FFFh		
	SA32	011001XXX	64/32	190000h-19FFFFh	0C8000h-0CFFFFh		
	SA33	011010XXX	64/32	1A0000h-1AFFFFh	0D0000h-0D7FFFh		
	SA34	011011XXX	64/32	1B0000h-1BFFFFh	0D8000h-0DFFFFh		
	SA35	011100XXX	64/32	1C0000h-1CFFFFh	0E0000h-0E7FFFh		
	SA36	011101XXX	64/32	1D0000h-1DFFFFh	0E8000h-0EFFFFh		
	SA37	011110XXX	64/32	1E0000h-1EFFFFh	0F0000h-0F7FFFh		
	SA38	011111XXX	64/32	1F0000h-1FFFFFh	0F8000h-0FFFFFh		
	SA39	100000XXX	64/32	200000h-20FFFFh	100000h-107FFFh		
	SA40	100001XXX	64/32	210000h-21FFFFh	108000h-10FFFFh		
	SA41	100010XXX	64/32	220000h-22FFFFh	110000h-117FFFh		
	SA42	100011XXX	64/32	230000h-23FFFFh	118000h-11FFFFh		
	SA43	100100XXX	64/32	240000h-24FFFFh	120000h-127FFFh		
	SA44	100101XXX	64/32	250000h-25FFFFh	128000h-12FFFFh		
	SA45	100110XXX	64/32	260000h-26FFFFh	130000h-137FFFh		
	SA46	100111XXX	64/32	270000h-27FFFFh	138000h-13FFFFh		
SA47	101000XXX	64/32	280000h-28FFFFh	140000h-147FFFh			
Bank 2	Bank 2	Bank 2	SA40	100001XXX	64/32	210000h-21FFFFh	108000h-10FFFFh
			SA41	100010XXX	64/32	220000h-22FFFFh	110000h-117FFFh
			SA42	100011XXX	64/32	230000h-23FFFFh	118000h-11FFFFh
			SA43	100100XXX	64/32	240000h-24FFFFh	120000h-127FFFh
			SA44	100101XXX	64/32	250000h-25FFFFh	128000h-12FFFFh
			SA45	100110XXX	64/32	260000h-26FFFFh	130000h-137FFFh
			SA46	100111XXX	64/32	270000h-27FFFFh	138000h-13FFFFh
			SA47	101000XXX	64/32	280000h-28FFFFh	140000h-147FFFh

A29DL324U	A29DL323U	A29DL322U	Sector	Sector Address A20–A12	Sector Size (Kbytes/Kwords)	(x8) Address Range	(x16) Address Range
Bank 2	Bank 2	Bank 2	SA48	101001XXX	64/32	290000h-29FFFFh	148000h-14FFFFh
			SA49	101010XXX	64/32	2A0000h-2AFFFFh	150000h-157FFFh
			SA50	101011XXX	64/32	2B0000h-2BFFFFh	158000h-15FFFFh
			SA51	101100XXX	64/32	2C0000h-2CFFFFh	160000h-167FFFh
			SA52	101101XXX	64/32	2D0000h-2DFFFFh	168000h-16FFFFh
			SA53	101110XXX	64/32	2E0000h-2EFFFFh	170000h-177FFFh
			SA54	101111XXX	64/32	2F0000h-2FFFFFh	178000h-17FFFFh
			SA55	111000XXX	64/32	300000h-30FFFFh	180000h-187FFFh
			SA56	111001XXX	64/32	310000h-31FFFFh	188000h-18FFFFh
			SA57	110010XXX	64/32	320000h-32FFFFh	190000h-197FFFh
			SA58	110011XXX	64/32	330000h-33FFFFh	198000h-19FFFFh
			SA59	110100XXX	64/32	340000h-34FFFFh	1A0000h-1A7FFFh
			SA60	110101XXX	64/32	350000h-35FFFFh	1A8000h-1AFFFFh
			SA61	110110XXX	64/32	360000h-36FFFFh	1B0000h-1B7FFFh
			SA62	110111XXX	64/32	370000h-37FFFFh	1B8000h-1BFFFFh
			SA63	111000XXX	64/32	380000h-38FFFFh	1C0000h-1C7FFFh
			SA64	111001XXX	64/32	390000h-39FFFFh	1C8000h-1CFFFFh
			SA65	111010XXX	64/32	3A0000h-3AFFFFh	1D0000h-1D7FFFh
			SA66	111011XXX	64/32	3B0000h-3BFFFFh	1D8000h-1DFFFFh
			SA67	111100XXX	64/32	3C0000h-3CFFFFh	1E0000h-1E7FFFh
SA68	111101XXX	64/32	3D0000h-3DFFFFh	1E8000h-1EFFFFh			
SA69	111110XXX	64/32	3E0000h-3EFFFFh	1F0000h-1F7FFFh			
SA70	111111XXX	64/32	3F0000h-3FFFFFh	1F8000h-1FFFFFh			

Note:

The address range is A20: A-1in byte mode ( $\overline{\text{BYTE\_F}} = V_{IL}$ ) or A20:A0 in word mode ( $\overline{\text{BYTE\_F}} = V_{IH}$ ). The bank address bits are A20-A18 for A29DL3224U, A20 and A19 for A29DL3234U, and A20 for A29DL3244U.



### Autoselect Mode

The autoselect mode provides manufacturer and device identification, and sector protection verification, through identifier codes output on I/O<sub>7</sub> - I/O<sub>0</sub>. This mode is primarily intended for programming equipment to automatically match a device to be programmed with its corresponding programming algorithm. However, the autoselect codes can also be accessed in-system through the command register. When using programming equipment, the autoselect mode requires V<sub>DD</sub> (8.5V to 12.5 V) on address pin A9. Address pins A6, A1, and A0 must be as shown in Table 5. In addition, when verifying sector protection, the sector address

must appear on the appropriate highest order address bits. (see Table 3-4). Table 5 shows the remaining address bits that are don't care. When all necessary bits have been set as required, the programming equipment may then read the corresponding identifier code on I/O<sub>7</sub> - I/O<sub>0</sub>.

To access the autoselect codes in-system, the host system can issue the autoselect command via the command register, as shown in Table 12. This method does not require V<sub>DD</sub>. Refer to the Autoselect Command Sequence section for more information.

**Table 5. A82DL32x4T(U) Autoselect Codes (High Voltage Method)**

Description	$\overline{\text{CE}}$	$\overline{\text{OE}}$	$\overline{\text{WE}}$	A20 to A12	A11 to A10	A9	A8 to A7	A6	A5 to A4	A3	A2	A1	A0	I/O <sub>8</sub> to I/O <sub>15</sub>		I/O <sub>7</sub> to I/O <sub>0</sub>
														$\overline{\text{BYTE}} = \text{V}_{\text{IH}}$	$\overline{\text{BYTE}} = \text{V}_{\text{IL}}$	
Manufacturer ID: AMIC	L	L	H	BA	X	V <sub>DD</sub>	X	L	X	L	L	L	L	X	X	37h
Device ID: A29DL8224	L	L	H	BA	X	V <sub>DD</sub>	X	L	X	X	X	L	H	22h	X	55h (T), 56h (U)
Device ID: A29DL8234	L	L	H	BA	X	V <sub>DD</sub>	X	L	X	X	X	L	H	22h	X	50h (T), 53h (U)
Device ID: A29DL8244	L	L	H	BA	X	V <sub>DD</sub>	X	L	X	X	X	L	H	22h	X	5Ch (T), 5Fh (U)
Continuation ID	L	L	H	X	X	V <sub>DD</sub>	X	L	X	X	X	H	H	X	X	7Fh
Read Sector Status	L	L	H	SA	X	V <sub>DD</sub>	X	L	X	L	L	H	L	X	X	01h (protected), 00h (unprotected)

L=Logic Low= V<sub>IL</sub>, H=Logic High=V<sub>IH</sub>, SA=Sector Address, X=Don't Care, BA=Bank Address

Note: The autoselect codes may also be accessed in-system via command sequences.

**Sector/Sector Block Protection and Unprotection**

(Note: For the following discussion, the term “sector” applies to both sectors and sector blocks. A sector block consists of two or more adjacent sectors that are protected or unprotected at the same time (see Tables 6 and 7).

**Table 6. Top Boot Sector/Sector Block Addresses for Protection/Unprotection**
**Table 6. Top Boot Sector/Sector Block Addresses for Protection/Unprotection**

Sector / Sector Block	A20–A12	Sector / Sector Block Size
SA0	000000XXXX	64 Kbytes
SA1-SA3	000001XXXX, 000010XXXX, 000011XXXX	192 (3x64) Kbytes
SA4-SA7	0001XXXXXX	256 (4x64) Kbytes
SA8-SA11	0010XXXXXX	256 (4x64) Kbytes
SA12-SA15	0011XXXXXX	256 (4x64) Kbytes
SA16-SA19	0100XXXXXX	256 (4x64) Kbytes
SA20-SA23	0101XXXXXX	256 (4x64) Kbytes
SA24-SA27	0110XXXXXX	256 (4x64) Kbytes
SA28-SA31	0111XXXXXX	256 (4x64) Kbytes
SA32-SA35	1000XXXXXX	256 (4x64) Kbytes
SA36-SA39	1001XXXXXX	256 (4x64) Kbytes
SA40-SA43	1010XXXXXX	256 (4x64) Kbytes
SA44-SA47	1011XXXXXX	256 (4x64) Kbytes
SA48-SA51	1100XXXXXX	256 (4x64) Kbytes
SA52-SA55	1101XXXXXX	256 (4x64) Kbytes
SA56-SA59	1110XXXXXX	256 (4x64) Kbytes
SA60-SA62	111100XXX, 111101XXX, 111110XXX	192 (3x64) Kbytes
SA63	111111000	8 Kbytes
SA64	111111001	8 Kbytes
SA65	111111010	8 Kbytes
SA66	111111011	8 Kbytes
SA67	111111100	8 Kbytes
SA68	111111101	8 Kbytes
SA69	111111110	8 Kbytes
SA70	111111111	8 Kbytes

**Table 7. Bottom Boot Sector/Sector Block Addresses for Protection/Unprotection**

Sector / Sector Block	A20–A12	Sector / Sector Block Size
SA70	111111XXXX	64 Kbytes
SA69- SA67	111110XXX, 111101XXX, 111100XXX	192 (3x64) Kbytes
SA66- SA63	1110XXXXXX	256 (4x64) Kbytes
SA62- SA59	1101XXXXXX	256 (4x64) Kbytes
SA58- SA55	1100XXXXXX	256 (4x64) Kbytes
SA54- SA51	1011XXXXXX	256 (4x64) Kbytes
SA50- SA47	1010XXXXXX	256 (4x64) Kbytes
SA46-SA43	1001XXXXXX	256 (4x64) Kbytes
SA42-SA39	1000XXXXXX	256 (4x64) Kbytes
SA38-SA35	0111XXXXXX	256 (4x64) Kbytes
SA34-SA31	0110XXXXXX	256 (4x64) Kbytes
SA30-SA27	0101XXXXXX	256 (4x64) Kbytes
SA26-SA23	0100XXXXXX	256 (4x64) Kbytes
SA22-SA19	0011XXXXXX	256 (4x64) Kbytes
SA18-SA15	0010XXXXXX	256 (4x64) Kbytes
SA14-SA11	0001XXXXXX	256 (4x64) Kbytes
SA10-SA8	000001XXX, 000010XXX, 000011XXX	192 (3x64) Kbytes
SA7	000000111	8 Kbytes
SA6	000000110	8 Kbytes
SA5	000000101	8 Kbytes
SA4	000000100	8 Kbytes
SA3	000000011	8 Kbytes
SA2	000000010	8 Kbytes
SA1	000000001	8 Kbytes
SA0	000000000	8 Kbytes

The hardware sector protection feature disables both program and erase operations in any sector. The hardware sector unprotection feature re-enables both program and erase operations in previously protected sectors. Sector protection and unprotection can be implemented via two methods.

The primary method requires  $V_{DD}$  on the  $\overline{\text{RESET}}$  pin only, and can be implemented either in-system or via programming equipment. Figure 2 shows the algorithms and Figure 23 shows the timing diagram. This method uses standard microprocessor bus cycle timing. For sector unprotect, all unprotected sectors must first be protected prior to the first sector unprotect write cycle.

The sector unprotect algorithm unprotects all sectors in parallel. All previously protected sectors must be individually re-protected. To change data in protected sectors efficiently, the temporary sector unprotect function is available. See "Temporary Sector/Sector Block Unprotect".

The alternate method for protection and unprotection is by software temporary sector /sector block unprotect command. See Figure 2 for Command Flow.

The device is shipped with all sectors unprotected.

It is possible to determine whether a sector is protected or unprotected. See the Autoselect Mode section for details.

### Write Protect ( $\overline{\text{WP}}/\text{ACC}$ )

The Write Protect function provides a hardware method of protecting certain boot sectors without using  $V_{DD}$ . This function is one of two provided by the  $\overline{\text{WP}}/\text{ACC}$  pin.

If the system asserts  $V_{IL}$  on the  $\overline{\text{WP}}/\text{ACC}$  pin, the device disables program and erase functions in the two "outermost" 8 Kbyte boot sectors independently of whether those sectors were protected or unprotected using the method described in "Sector/Sector Block Protection and Unprotection". The two outermost 8 Kbyte boot sectors are the two sectors containing the lowest addresses in a bottom-boot-configured device, or the two sectors containing the highest addresses in a top-boot-configured device.

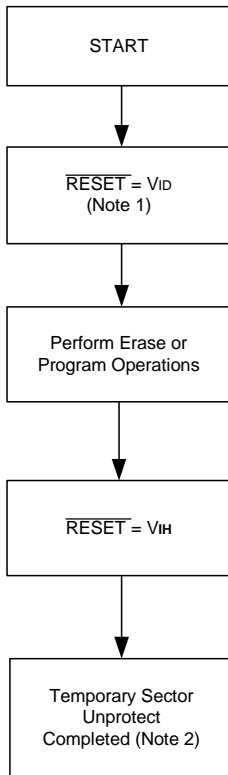
If the system asserts  $V_{IH}$  on the  $\overline{\text{WP}}/\text{ACC}$  pin, the device reverts to whether the two outermost 8 Kbyte boot sectors were last set to be protected or unprotected. That is, sector protection or unprotection for these two sectors depends on whether they were last protected or unprotected using the method described in "Sector/Sector Block Protection and Unprotection".

Note that the  $\overline{\text{WP}}/\text{ACC}$  pin must not be left floating or unconnected; inconsistent behavior of the device may result.

### Temporary Sector/Sector Block Unprotect

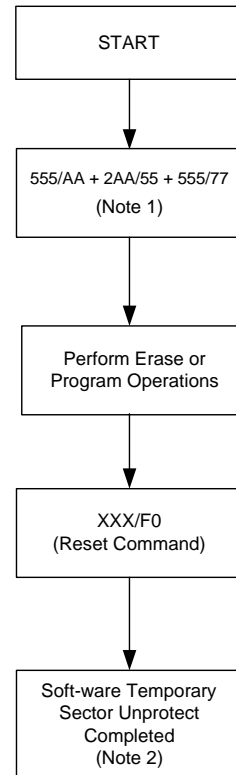
(Note: For the following discussion, the term "sector" applies to both sectors and sector blocks. A sector block consists of two or more adjacent sectors that are protected or unprotected at the same time (see Tables 6 and 7).)

This feature allows temporary unprotection of previously protected sectors to change data in-system. The Sector Unprotect mode is activated by setting the  $\overline{\text{RESET}}$  pin to  $V_{DD}$  (8.5V-12.5V). During this mode, formerly protected sectors can be programmed or erased by selecting the sector addresses. Once  $V_{DD}$  is removed from the  $\overline{\text{RESET}}$  pin, all the previously protected sectors are protected again. Figure 1 shows the algorithm, and Figure 22 shows the timing diagrams, for this feature.



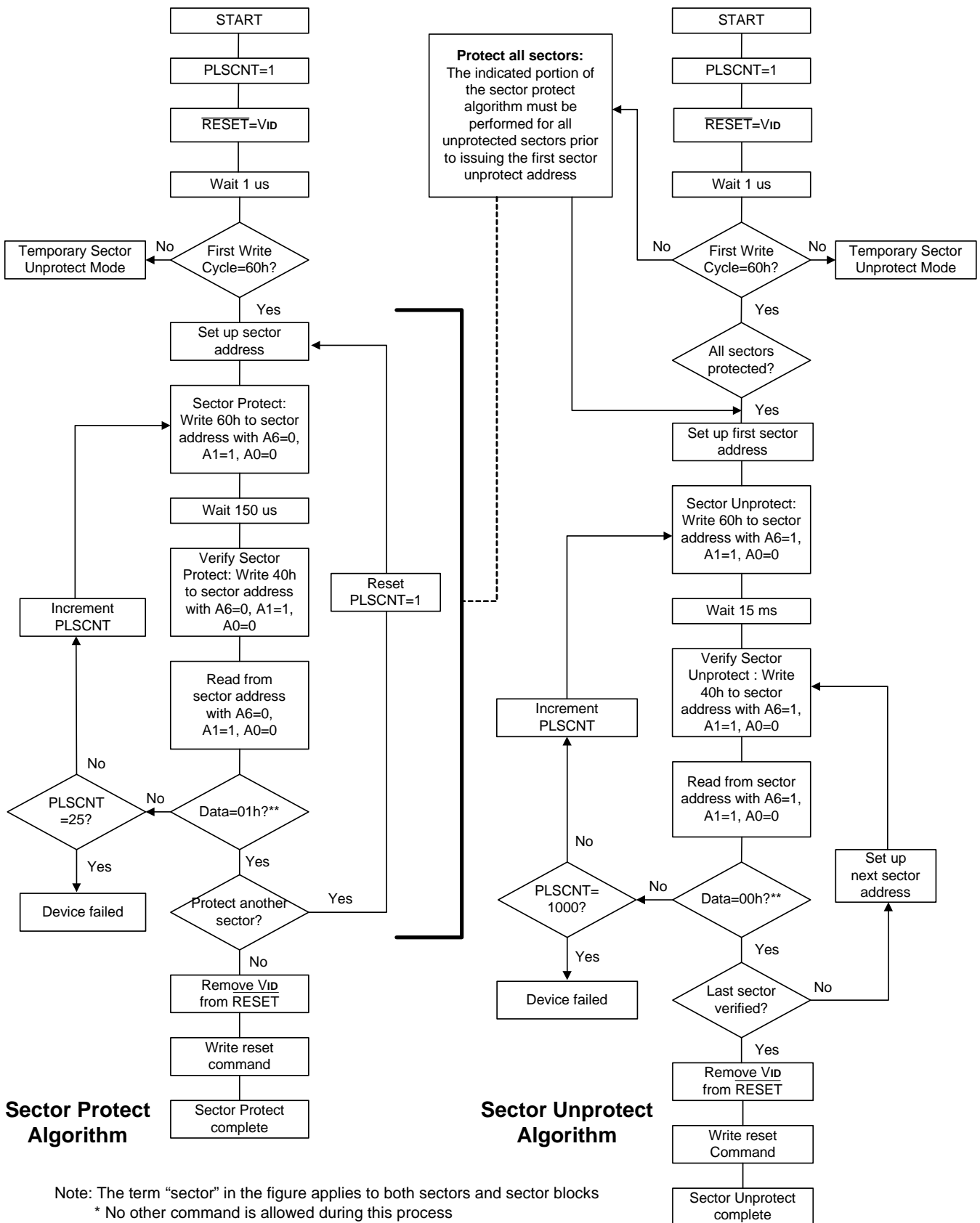
- Notes:
1. All protected sectors unprotected (If  $\overline{WP}/ACC=V_{IL}$ , outermost boot sectors will remain protected).
  2. All previously protected sectors are protected once again.

**Figure 1-1. Temporary Sector Unprotect Operation by  $\overline{RESET}$  Mode**

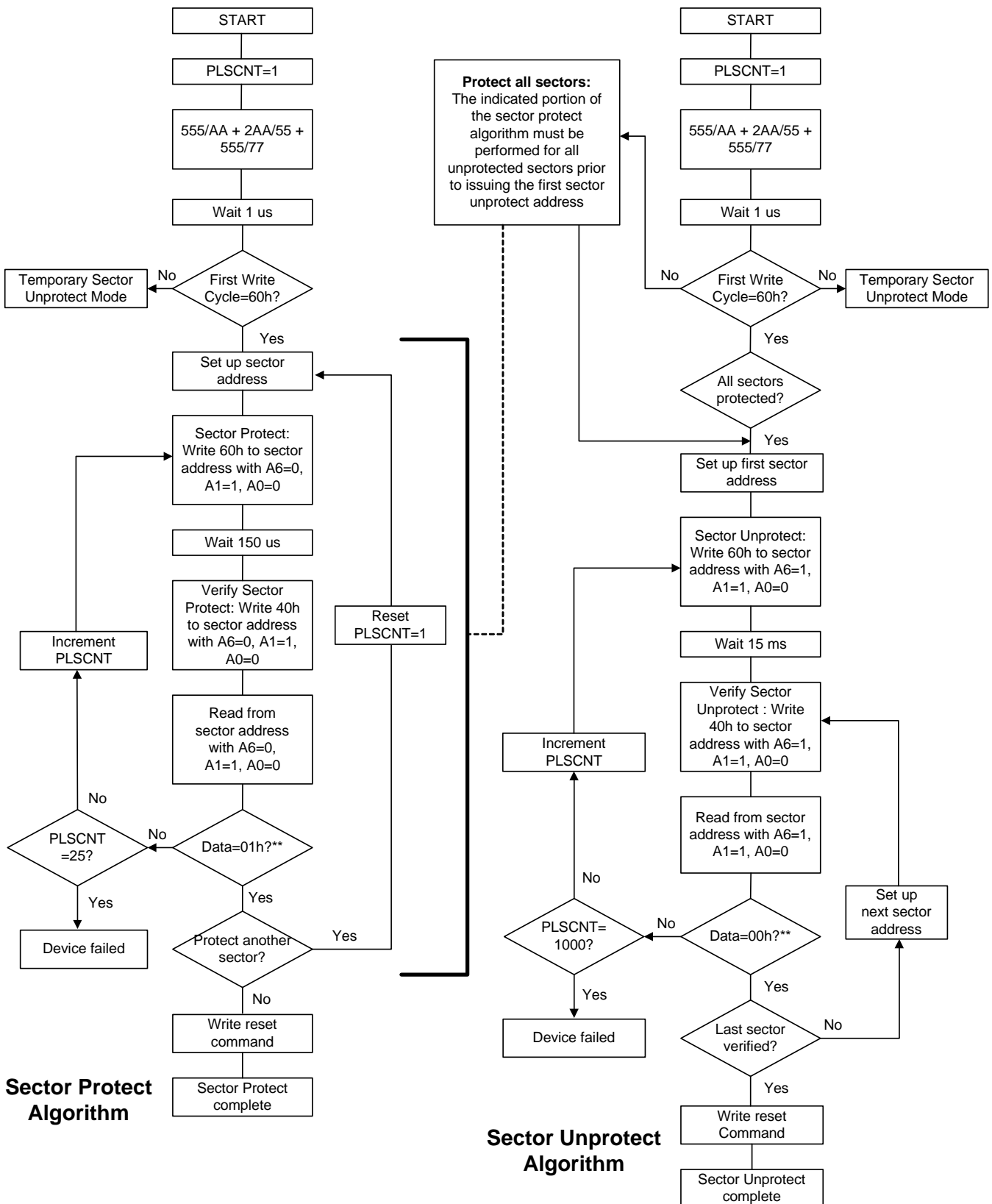


- Notes:
1. All protected sectors unprotected (If  $\overline{WP}/ACC=V_{IL}$ , outermost boot sectors will remain protected).
  2. All previously protected sectors are protected once again.

**Figure 1-2. Temporary Sector Unprotect Operation by Software Mode**



**Figure 2-1. High Voltage Sector/Sector Block Protection and Unprotection Algorithms**



Note: The term "sector" in the figure applies to both sectors and sector blocks  
 \* No other command is allowed during this process  
 \*\* Access time is 200ns-300ns

**Figure 2-2. Software Sector/Sector Block Protection and Unprotection Algorithms**

**Hardware Data Protection**

The command sequence requirement of unlock cycles for programming or erasing provides data protection against inadvertent writes (refer to Table 12 for command definitions). In addition, the following hardware data protection measures prevent accidental erasure or programming, which might otherwise be caused by spurious system level signals during VCC\_F power-up and power-down transitions, or from system noise.

**Low VCC Write Inhibit**

When VCC\_F is less than V<sub>Lko</sub>, the device does not accept any write cycles. This protects data during VCC\_F power-up and power-down. The command register and all internal program/erase circuits are disabled, and the device resets to reading array data. Subsequent writes are ignored until VCC\_F is greater than V<sub>Lko</sub>. The system must provide the proper signals to the control pins to prevent unintentional writes when VCC\_F is greater than V<sub>Lko</sub>.

**Write Pulse “Glitch” Protection**

Noise pulses of less than 5ns (typical) on  $\overline{OE}$ ,  $\overline{CE\_F}$  or  $\overline{WE}$  do not initiate a write cycle.

**Logical Inhibit**

Write cycles are inhibited by holding any one of  $\overline{OE} = V_{IL}$ ,  $\overline{CE\_F} = V_{IH}$  or  $\overline{WE} = V_{IH}$ . To initiate a write cycle,  $\overline{CE\_F}$  and  $\overline{WE}$  must be a logical zero while  $\overline{OE}$  is a logical one.

**Power-Up Write Inhibit**

If  $\overline{WE} = \overline{CE\_F} = V_{IL}$  and  $\overline{OE} = V_{IH}$  during power up, the device does not accept commands on the rising edge of  $\overline{WE}$ . The internal state machine is automatically reset to reading array data on power-up.

**COMMON FLASH MEMORY INTERFACE (CFI)**

The Common Flash Interface (CFI) specification outlines device and host system software interrogation handshake, which allows specific vendor-specified software algorithms to be used for entire families of devices. Software support can then be device-independent, JEDEC ID-independent, and forward- and backward-compatible for the specified flash device families. Flash vendors can standardize their existing interfaces for long-term compatibility.

This device enters the CFI Query mode when the system writes the CFI Query command, 98h, to address 55h in word mode (or address AAh in byte mode), any time the device is ready to read array data. The system can read CFI information at the addresses given in Tables 8-11. To terminate reading CFI data, the system must write the reset command.

The system can also write the CFI query command when the device is in the autoselect mode. The device enters the CFI query mode, and the system can read CFI data at the addresses given in Tables 8-11. The system must write the reset command to return the device to the autoselect mode.

**Table 8. CFI Query Identification String**

Addresses (Word Mode)	Addresses (Byte Mode)	Data	Description
10h 11h 12h	20h 22h 24h	0051h 0052h 0059h	Query Unique ASCII string “QRY”
13h 14h	26h 28h	0002h 0000h	Primary OEM Command Set
15h 16h	2Ah 2Ch	0040h 0000h	Address for Primary Extended Table
17h 18h	2Eh 30h	0000h 0000h	Alternate OEM Command Set (00h = none exists)
19h 1Ah	32h 34h	0000h 0000h	Address for Alternate OEM Extended Table (00h = none exists)

**Table 9. System Interface String**

Addresses (Word Mode)	Addresses (Byte Mode)	Data	Description
1Bh	36h	0027h	VCC Min. (write/erase) I/O <sub>7</sub> - I/O <sub>4</sub> : volt, I/O <sub>3</sub> - I/O <sub>0</sub> : 100 millivolt
1Ch	38h	0036h	VCC Max. (write/erase) I/O <sub>7</sub> - I/O <sub>4</sub> : volt, I/O <sub>3</sub> - I/O <sub>0</sub> : 100 millivolt
1Dh	3Ah	0000h	Vpp Min. voltage (00h = no Vpp pin present)
1Eh	3Ch	0000h	Vpp Max. voltage (00h = no Vpp pin present)
1Fh	3Eh	0004h	Typical timeout per single byte/word write 2 <sup>N</sup> μs
20h	40h	0000h	Typical timeout for Min. size buffer write 2 <sup>N</sup> μs (00h = not supported)
21h	42h	000Ah	Typical timeout per individual block erase 2 <sup>N</sup> ms
22h	44h	0000h	Typical timeout for full chip erase 2 <sup>N</sup> ms (00h = not supported)
23h	46h	0005h	Max. timeout for byte/word write 2 <sup>N</sup> times typical
24h	48h	0000h	Max. timeout for buffer write 2 <sup>N</sup> times typical
25h	4Ah	0004h	Max. timeout per individual block erase 2 <sup>N</sup> times typical
26h	4Ch	0000h	Max. timeout for full chip erase 2 <sup>N</sup> times typical (00h = not supported)

**Table 10 Device Geometry Definition**

Addresses (Word Mode)	Addresses (Byte Mode)	Data	Description
27h	4Eh	0015h	Device Size = 2 <sup>N</sup> byte
28h	50h	0002h	Flash Device Interface description
29h	52h	0000h	
2Ah	54h	0000h	Max. number of byte in multi-byte write = 2 <sup>N</sup> (00h = not supported)
2Bh	56h	0000h	
2Ch	58h	0002h	Number of Erase Block Regions within device
2Dh	5Ah	0007h	Erase Block Region 1 Information (refer to the CFI specification)
2Eh	5Ch	0000h	
2Fh	5Eh	0020h	
30h	60h	0000h	
31h	62h	001Eh	Erase Block Region 2 Information
32h	64h	0000h	
33h	66h	0000h	
34h	68h	0001h	
35h	6Ah	0000h	Erase Block Region 3 Information
36h	6Ch	0000h	
37h	6Eh	0000h	
38h	40h	0000h	
39h	72h	0000h	Erase Block Region 4 Information
3Ah	74h	0000h	
3Bh	76h	0000h	
3Ch	78h	0000h	



**Table 11. Primary Vendor-Specific Extended Query**

Addresses (Word Mode)	Addresses (Byte Mode)	Data	Description
40h 41h 42h	80h 82h 84h	0050h 0052h 0049h	Query-unique ASCII string "PRI"
43h	86h	0031h	Major version number, ASCII
44h	88h	0032h	Minor version number, ASCII
45h	8Ah	0000h	Address Sensitive Unlock 0 = Required, 1 = Not Required
46h	8Ch	0002h	Erase Suspend 0 = Not Supported, 1 = To Read Only, 2 = To Read & Write
47h	8Eh	0001h	Sector Protect 0 = Not Supported, X = Number of sectors in per group
48h	90h	0001h	Sector Temporary Unprotect 00 = Not Supported, 01 = Supported
49h	92h	0004h	Sector Protect/Unprotect scheme 04 = A29L800 mode
4Ah	94h	00XXh	Simultaneous Operation XX = 38 (A29DL8224) XX = 30 (A29DL8234) XX = 20 (A29DL8244)
4Bh	96h	0000h	Burst Mode Type 00 = Not Supported, 01 = Supported
4Ch	98h	0000h	Page Mode Type 00 = Not Supported, 01 = 4 Word Page, 02 = 8 Word Page
4Dh	9Ah	0085h	ACC (Acceleration) Supply Minimum 00h = Not Supported, D7-D4: Volt, D3-D0: 100 mV
4Eh	9Ch	0095h	ACC (Acceleration) Supply Maximum 00h = Not Supported, D7-D4: Volt, D3-D0: 100 mV
4Fh	9Eh	000Xh	Top/Bottom Boot Sector Flag 02h = Bottom Boot Device, 03h = Top Boot Device
58h	B0h	00XXh	Bank 1 Region Information – Number of Sectors on Bank 1 XX = 0F (A29DL322) XX = 17 (A29DL323) XX = 27 (A29DL324)
59h	B2h	00XXh	Bank 2 Region Information – Number of Sectors in Bank 2 XX = 38 (A29DL322) XX = 30 (A29DL323) XX = 20 (A29DL324)
5Ah	B4h	0000	Bank 3 Region Information – Number of Sector in Bank 3
5Bh	B6h	0000	Bank 4 Region Information – Number of Sector in Bank 4

## COMMAND DEFINITIONS

Writing specific address and data commands or sequences into the command register initiates device operations. Table 12 defines the valid register command sequences. Writing incorrect address and data values or writing them in the improper sequence may place the device in an unknown state. A reset command is then required to return the device to reading array data.

All addresses are latched on the falling edge of  $\overline{WE}$  or  $\overline{CE\_F}$ , whichever happens later. All data is latched on the rising edge of  $\overline{WE}$  or  $\overline{CE\_F}$ , whichever happens first. Refer to the AC Characteristics section for timing diagrams.

### Reading Array Data

The device is automatically set to reading array data after device power-up. No commands are required to retrieve data. The device is also ready to read array data after completing an Embedded Program or Embedded Erase algorithm.

After the device accepts an Erase Suspend command, the corresponding bank enters the erase-suspend-read mode, after which the system can read data from any non-erase-suspended sector within the same bank. After completing a programming operation in the Erase Suspend mode, the system may once again read array data with the same exception. See the Erase Suspend/Erase Resume Commands section for more information.

The system must issue the reset command to return a bank to the read (or erase-suspend-read) mode if I/O<sub>s</sub> goes high during an active program or erase operation, or if the bank is in the autoselect mode. See the next section, Reset Command, for more information.

See also Requirements for Reading Array Data in the Device Bus Operations section for more information. The Read-Only Operations table provides the read parameters, and Figure 11 shows the timing diagram.

### Reset Command

Writing the reset command resets the banks to the read or erase-suspend-read mode. Address bits are don't cares for this command.

The reset command may be written between the sequence cycles in an erase command sequence before erasing begins. This resets the bank to which the system was writing to reading array data. Once erasure begins, however, the device ignores reset commands until the operation is complete.

The reset command may be written between the sequence cycles in a program command sequence before programming begins. This resets the bank to which the system was writing to reading array data. If the program command sequence is written to a bank that is in the Erase Suspend mode, writing the reset command returns that bank to the erase-suspend-read mode. Once programming begins, however, the device ignores reset commands until the operation is complete.

The reset command may be written between the sequence cycles in an autoselect command sequence. Once in the autoselect mode, the reset command must be written to return to reading array data. If a bank entered the autoselect mode while in the Erase Suspend mode, writing the reset command returns that bank to the erase-suspend-read mode. If I/O<sub>s</sub> goes high during a program or erase operation, writing the reset command returns the banks to reading array data

(or erase-suspend-read mode if that bank was in Erase Suspend).

### Autoselect Command Sequence

The autoselect command sequence allows the host system to access the manufacturer and device codes, and determine whether or not a sector is protected. Table 12 shows the address and data requirements. This method is an alternative to that shown in Table 5, which is intended for PROM programmers and requires V<sub>DD</sub> on address pin A9. The autoselect command sequence may be written to an address within a bank that is either in the read or erase-suspend-read mode. The autoselect command may not be written while the device is actively programming or erasing in the other bank.

The autoselect command sequence is initiated by first writing two unlock cycles. This is followed by a third write cycle that contains the bank address and the autoselect command. The bank then enters the autoselect mode. The system may read at any address within the same bank any number of times without initiating another autoselect command sequence:

- A read cycle at address (BA)XX00h (where BA is the bank address) returns the manufacturer code.
- A read cycle at address (BA)XX01h in word mode (or (BA)XX02h in byte mode) returns the device code.
- A read cycle to an address containing a sector address (SA) within the same bank, and the address 02h on A7-A0 in word mode (or the address 04h on A6-A-1 in byte mode) returns 01h if the sector is protected, or 00h if it is unprotected. (Refer to Tables 3-4 for valid sector addresses).

The system must write the reset command to return to reading array data (or erase-suspend-read mode if the bank was previously in Erase Suspend).

### Byte/Word Program Command Sequence

The system may program the device by word or byte, depending on the state of the  $\overline{BYTE\_F}$  pin. Programming is a four-bus-cycle operation. The program command sequence is initiated by writing two unlock write cycles, followed by the program set-up command. The program address and data are written next, which in turn initiate the Embedded Program algorithm. The system is not required to provide further controls or timings. The device automatically provides internally generated program pulses and verifies the programmed cell margin. Table 12 shows the address and data requirements for the byte program command sequence. When the Embedded Program algorithm is complete, that bank then returns to reading array data and addresses are no longer latched. The system can determine the status of the program operation by using I/O<sub>7</sub>, I/O<sub>6</sub>, or RY/ $\overline{BY}$ . Refer to the Write Operation Status section for information on these status bits.

Any commands written to the device during the Embedded Program Algorithm are ignored. Note that a hardware reset immediately terminates the program operation. The program command sequence should be reinitiated once that bank has returned to reading array data, to ensure data integrity.

Programming is allowed in any sequence and across sector boundaries. A bit cannot be programmed from "0" back to a "1." Attempting to do so may cause that bank to set I/O<sub>s</sub> = 1, or cause the I/O<sub>7</sub> and I/O<sub>6</sub> status bits to indicate the operation was successful. However, a succeeding read will show that the data is still "0." Only erase operations can convert a "0" to a "1."

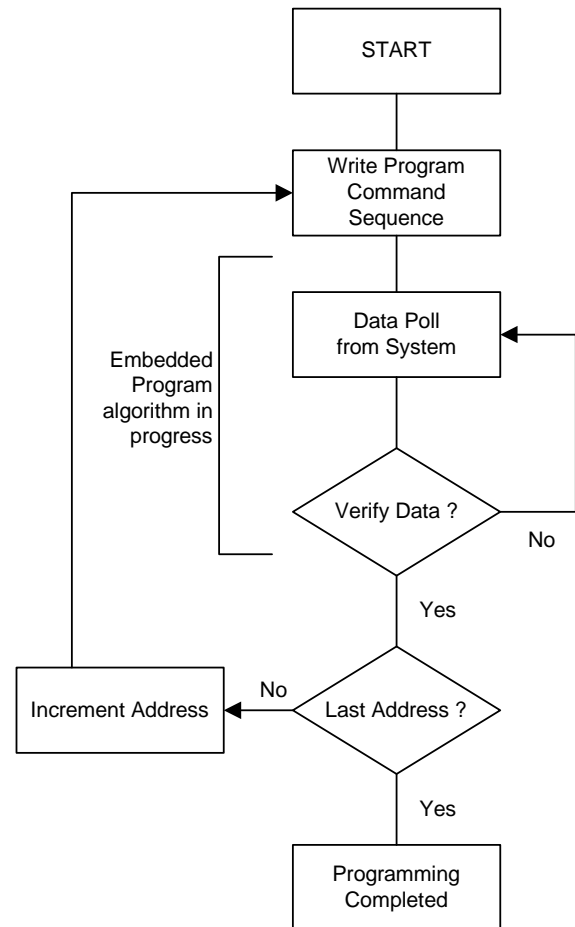
### Unlock Bypass Command Sequence

The unlock bypass feature allows the system to program bytes or words to a bank faster than using the standard program command sequence. The unlock bypass command sequence is initiated by first writing two unlock cycles. This is followed by a third write cycle containing the unlock bypass command, 20h. The device then enters the unlock bypass mode. A two-cycle unlock bypass program command sequence is all that is required to program in this mode. The first cycle in this sequence contains the unlock bypass program command, A0h; the second cycle contains the program address and data. Additional data is programmed in the same manner. This mode dispenses with the initial two unlock cycles required in the standard program command sequence, resulting in faster total programming time. Table 12 shows the requirements for the command sequence.

During the unlock bypass mode, only the Unlock Bypass Program and Unlock Bypass Reset commands are valid. To exit the unlock bypass mode, the system must issue the two-cycle unlock bypass reset command sequence. The device then returns to reading array data.

The device offers accelerated program operations through the  $\overline{WP}/ACC$  pin. When the system asserts  $V_{HH}$  on the  $\overline{WP}/ACC$  pin, the device automatically enters the Unlock Bypass mode. The system may then write the two-cycle Unlock Bypass program command sequence. The device uses the higher voltage on the  $\overline{WP}/ACC$  pin to accelerate the operation. Note that the  $\overline{WP}/ACC$  pin must not be at  $V_{HH}$  any operation other than accelerated programming, or device damage may result. In addition, the  $\overline{WP}/ACC$  pin must not be left floating or unconnected; inconsistent behavior of the device may result.

Figure 3 illustrates the algorithm for the program operation. Refer to the Erase and Program Operations table in the AC Characteristics section for parameters, and Figure 15 for timing diagrams.



Note : See Table 14 for program command sequence.

**Figure 3. Program Operation**

### Chip Erase Command Sequence

Chip erase is a six bus cycle operation. The chip erase command sequence is initiated by writing two unlock cycles, followed by a set-up command. Two additional unlock write cycles are then followed by the chip erase command, which in turn invokes the Embedded Erase algorithm. The device does not require the system to preprogram prior to erase. The Embedded Erase algorithm automatically preprograms and verifies the entire memory for an all zero data pattern prior to electrical erase. The system is not required to provide any controls or timings during these operations. Table 12 shows the address and data requirements for the chip erase command sequence.

When the Embedded Erase algorithm is complete, that bank returns to reading array data and addresses are no longer latched. The system can determine the status of the erase operation by using I/O<sub>7</sub>, I/O<sub>6</sub>, I/O<sub>2</sub>, or RY/ $\overline{\text{BY}}$ . Refer to the Write Operation Status section for information on these status bits.

Any commands written during the chip erase operation are ignored. However, note that a hardware reset immediately terminates the erase operation. If that occurs, the chip erase command sequence should be reinitiated once that bank has returned to reading array data, to ensure data integrity.

Figure 4 illustrates the algorithm for the erase operation. Refer to the Erase and Program Operations tables in the AC Characteristics section for parameters, and Figure 17 section for timing diagrams.

### Sector Erase Command Sequence

Sector erase is a six bus cycle operation. The sector erase command sequence is initiated by writing two unlock cycles, followed by a set-up command. Two additional unlock cycles are written, and are then followed by the address of the sector to be erased, and the sector erase command. Table 12 shows the address and data requirements for the sector erase command sequence.

The device does not require the system to preprogram prior to erase. The Embedded Erase algorithm automatically programs and verifies the entire memory for an all zero data pattern prior to electrical erase. The system is not required to provide any controls or timings during these operations.

After the command sequence is written, a sector erase time-out of 50  $\mu\text{s}$  occurs. During the time-out period, additional sector addresses and sector erase commands within the bank may be written. Loading the sector erase buffer may be done in any sequence, and the number of sectors may be from one sector to all sectors. The time between these additional cycles must be less than 50 $\mu\text{s}$ , otherwise erasure may begin. Any sector erase address and command following the exceeded time-out may or may not be accepted. It is recommended that processor interrupts be disabled during this time to ensure all commands are accepted. The interrupts can be re-enabled after the last Sector Erase command is written. Any command other than Sector Erase or Erase Suspend during the time-out period resets that bank to reading array data. The system must rewrite the command sequence and any additional addresses and commands.

The system can monitor I/O<sub>3</sub> to determine if the sector erase timer has timed out (See the section on I/O<sub>3</sub>: Sector Erase Timer.). The time-out begins from the rising edge of the final  $\overline{\text{WE}}$  pulse in the command sequence.

When the Embedded Erase algorithm is complete, the bank returns to reading array data and addresses are no longer latched. Note that while the Embedded Erase operation is in progress, the system can read data from the non-erasing bank. The system can determine the status of the erase operation by reading I/O<sub>7</sub>, I/O<sub>6</sub>, I/O<sub>2</sub>, or RY/ $\overline{\text{BY}}$  in the erasing bank.

Refer to the Write Operation Status section for information on these status bits.

Once the sector erase operation has begun, only the Erase Suspend command is valid. All other commands are ignored. However, note that a hardware reset immediately terminates the erase operation. If that occurs, the sector erase command sequence should be reinitiated once that bank has returned to reading array data, to ensure data integrity.

Figure 4 illustrates the algorithm for the erase operation. Refer to the Erase and Program Operations tables in the AC Characteristics section for parameters, and Figure 17 section for timing diagrams.

### Erase Suspend/Erase Resume Commands

The Erase Suspend command, B0h, allows the system to interrupt a sector erase operation and then read data from, or program data to, any sector not selected for erasure. This command is valid only during the sector erase operation, including the 50  $\mu\text{s}$  time-out period during the sector erase command sequence. The Erase Suspend command is ignored if written during the chip erase operation or Embedded Program algorithm.

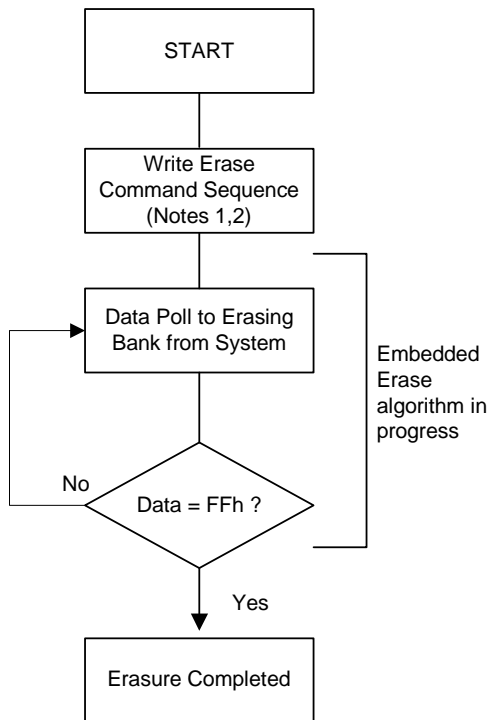
When the Erase Suspend command is written during the sector erase operation, the device requires a maximum of 20  $\mu\text{s}$  to suspend the erase operation. However, when the Erase Suspend command is written during the sector erase time-out, the device immediately terminates the time-out period and suspends the erase operation.

After the erase operation has been suspended, the bank enters the erase-suspend-read mode. The system can read data from or program data to any sector not selected for erasure. (The device "erase suspends" all sectors selected for erasure.) Reading at any address within erase-suspended sectors produces status information on I/O<sub>7</sub>–I/O<sub>6</sub>. The system can use I/O<sub>7</sub>, or I/O<sub>6</sub> and I/O<sub>2</sub> together, to determine if a sector is actively erasing or is erase-suspended. Refer to the Write Operation Status section for information on these status bits.

After an erase-suspended program operation is complete, the bank returns to the erase-suspend-read mode. The system can determine the status of the program operation using the I/O<sub>7</sub> or I/O<sub>6</sub> status bits, just as in the standard Byte Program operation. Refer to the Write Operation Status section for more information.

In the erase-suspend-read mode, the system can also issue the autoselect command sequence. Refer to the Autoselect Mode and Autoselect Command Sequence sections for details.

To resume the sector erase operation, the system must write the Erase Resume command. The bank address of the erase-suspended bank is ignored when writing this command. Further writes of the Resume command are ignored. Another Erase Suspend command can be written after the chip has resumed erasing.



Note :

1. See Table 14 for erase command sequence.
2. See the section on I/O<sub>3</sub> for information on the sector erase timer.

**Figure 4. Erase Operation**

**Command Definitions**
**Table 12. A82DL32x4T(U) Command Definitions**

Command Sequence (Note 1)		Cycle	Bus Cycles (Notes 2-5)													
			First		Second		Third		Fourth		Fifth		Sixth			
			Addr	Data	Addr	Data	Addr	Data	Addr	Data	Addr	Data	Addr	Data		
Read (Note 6)		1	RA	RD												
Reset (Note 7)		1	XXX	F0												
Autoselect (Note 8)	Manufacturer ID	Word	4	555	AA	2AA	55	(BA)555	90	(BA)X00	37					
		Byte	4	AAA	AA	555	55	(BA)AAA	90	(BA)X00	37					
	Device ID	Word	4	555	AA	2AA	55	(BA)555	90	(BA)X01	(see Table 5)					
		Byte	4	AAA	AA	555	55	(BA)AAA	90	(BA)X02						
	Continuation ID	Word	4	555	AA	2AA	55	555	90	X03	7F					
		Byte	4	AAA	AA	555	55	AAA	90	X06						
	Sector Protect Verify (Note 9)	Word	4	555	AA	2AA	55	(BA)555	90	(SA)	00/01					
		Byte	4	AAA	AA	555	55	(BA)AAA	90	(SA)X04						
	Command Temporary Sector Unprotect (Note 15)		Word	3	555	AA	2AA	55	555	77						
			Byte	3	AAA	AA	555	55	AAA	77						
Program		Word	4	555	AA	2AA	55	555	A0	PA	PD					
		Byte	4	AAA	AA	555	55	AAA	A0	PA	PD					
Unlock Bypass		Word	3	555	AA	2AA	55	555	20							
		Byte	3	AAA	AA	555	55	AAA	20							
Unlock Bypass Program (Note 10)		2	XXX	A0	PA	PD										
Unlock Bypass Reset (Note 11)		2	XXX	90	XXX	00										
Chip Erase		Word	6	555	AA	2AA	55	555	80	555	AA	2AA	55	555	10	
		Byte	6	AAA	AA	555	55	AAA	80	AA A	AA	555	55	AAA	10	
Sector Erase		Word	6	555	AA	2AA	55	555	80	555	AA	2AA	55	SA	30	
		Byte	6	AAA	AA	555	55	AAA	80	AAA	AA	555	55	SA	30	
Erase Suspend (Note 12)		1	XXX	B0												
Erase Resume (Note 13)		1	XXX	30												
CFI Query (Note 14)		Word	1	55	98											
		Byte	1	AA	98											

**Legend:**

X = Don't care

RA = Address of the memory location to be read.

RD = Data read from location RA during read operation.

 PA = Address of the memory location to be programmed. Addresses latch on the falling edge of the  $\overline{WE}$  or  $\overline{CE\_F}$  pulse, whichever happens later.

 PD = Data to be programmed at location PA. Data latches on the rising edge of  $\overline{WE}$  or  $\overline{CE\_F}$  pulse, whichever happens first.

SA = Address of the sector to be verified (in autoselect mode) or erased. Address bits A20 - A12 select a unique sector.

BA = Address of the bank that is being switched to autoselect mode, is in bypass mode, or is being erased.

**Note:**

- See Table 1 for description of bus operations.
- All values are in hexadecimal.
- Except for the read cycle and the fourth cycle of the autoselect command sequence, all bus cycles are write cycles.
- Data bits I/O<sub>15</sub>-I/O<sub>8</sub> are don't care in command sequences. Except for RD and PD.
- Unless otherwise noted, address bits A20-A11 are don't cares.
- No unlock or command cycles required when bank is reading array data.
- The Reset command is required to return to reading array data (or to the erase-suspend-read mode if previously in Erase Suspend) when a bank is in the autoselect mode, or if I/O<sub>5</sub> goes high (while the bank is providing status information).
- The fourth cycle of the autoselect command sequence is a read cycle. The system must provide the bank address to obtain the manufacture ID, or device ID information. Data bits I/O<sub>15</sub>-I/O<sub>8</sub> are don't care. See the Autoselect Command Sequence section for more information.
- The data is 00h for an unprotected sector/sector block and 01h for a protected sector/sector block.
- The Unlock Bypass command is required prior to the Unlock Bypass Program Command.
- The Unlock Bypass Reset command is required to return to reading array data when the bank is in the unlock bypass mode.
- The system may read and program in non-erasing sectors, or enter the autoselect mode, when in the Erase Suspend mode. The Erase Suspend command is valid only during a sector erase operation, and require the bank address.
- The Erase Resume command is valid only during the Erase.
- Command is valid when device is ready to read array data or when device is in autoselect mode.
- Once reset command is applied, software temporary unprotect is exit to return read array data. But under erase suspend condition, this command is still effective even a reset command has been applied. The reset command which can deactivate the software temporary unprotect command is useful only after the erase command is complete.

## WRITE OPERATION STATUS

The device provides several bits to determine the status of a program or erase operation:  $I/O_2$ ,  $I/O_3$ ,  $I/O_5$ ,  $I/O_6$ , and  $I/O_7$ . Table 13 and the following subsections describe the function of these bits.  $I/O_7$  and  $I/O_6$  each offer a method for determining whether a program or erase operation is complete or in progress. The device also provides a hardware-based output signal,  $\overline{RY/BY}$ , to determine whether an Embedded Program or Erase operation is in progress or has been completed.

### $I/O_7$ : Data Polling

The  $\overline{\text{Data}}$  Polling bit,  $I/O_7$ , indicates to the host system whether an Embedded Algorithm is in progress or completed, or whether the device is in Erase Suspend.  $\overline{\text{Data}}$  Polling is valid after the rising edge of the final  $\overline{WE}$  pulse in the program or erase command sequence.

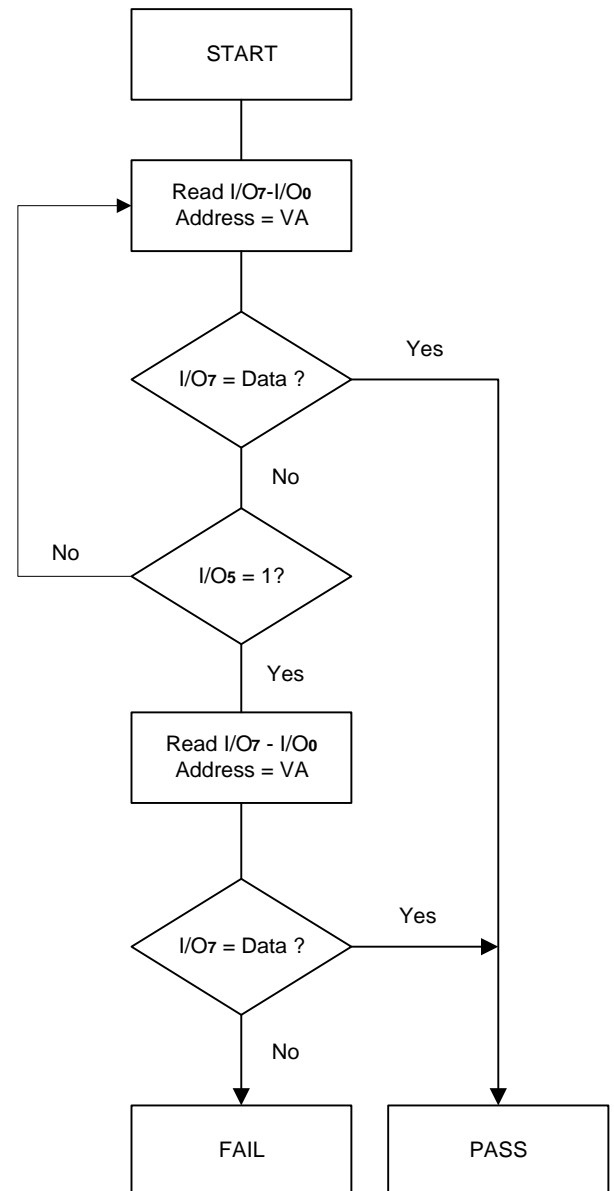
During the Embedded Program algorithm, the device outputs on  $I/O_7$  the complement of the datum programmed to  $I/O_7$ . This  $I/O_7$  status also applies to programming during Erase Suspend. When the Embedded Program algorithm is complete, the device outputs the datum programmed to  $I/O_7$ . The system must provide the program address to read valid status information on  $I/O_7$ . If a program address falls within a protected sector,  $\overline{\text{Data}}$  Polling on  $I/O_7$  is active for approximately  $1\mu\text{s}$ , then the device returns to reading array data.

During the Embedded Erase algorithm,  $\overline{\text{Data}}$  Polling produces a "0" on  $I/O_7$ . When the Embedded Erase algorithm is complete, or if the device enters the Erase Suspend mode,  $\overline{\text{Data}}$  Polling produces a "1" on  $I/O_7$ . The system must provide an address within any of the sectors selected for erasure to read valid status information on  $I/O_7$ .

After an erase command sequence is written, if all sectors selected for erasing are protected,  $\overline{\text{Data}}$  Polling on  $I/O_7$  is active for approximately  $100\mu\text{s}$ , then the bank returns to reading array data. If not all selected sectors are protected, the Embedded Erase algorithm erases the unprotected sectors, and ignores the selected sectors that are protected. However, if the system reads  $I/O_7$  at an address within a protected sector, the status may not be valid.

Just prior to the completion of an Embedded Program or Erase operation,  $I/O_7$  may change asynchronously with  $I/O_6$ – $I/O_5$  while Output Enable ( $\overline{OE}$ ) is asserted low. That is, the device may change from providing status information to valid data on  $I/O_7$ . Depending on when the system samples the  $I/O_7$  output, it may read the status or valid data. Even if the device has completed the program or erase operation and  $I/O_7$  has valid data, the data outputs on  $I/O_6$ – $I/O_5$  may be still invalid. Valid data on  $I/O_6$ – $I/O_7$  will appear on successive read cycles.

Table 13 shows the outputs for  $\overline{\text{Data}}$  Polling on  $I/O_7$ . Figure 5 shows the  $\overline{\text{Data}}$  Polling algorithm. Figure 19 in the AC Characteristics section shows the  $\overline{\text{Data}}$  Polling timing diagram.



Note :

1. VA = Valid address for programming. During a sector erase operation, a valid address is an address within any sector selected for erasure. During chip erase, a valid address is any non-protected sector address.
2.  $I/O_7$  should be rechecked even if  $I/O_5 = "1"$  because  $I/O_7$  may change simultaneously with  $I/O_5$ .

**Figure 5.  $\overline{\text{Data}}$  Polling Algorithm**

**R $\overline{Y}$ /B $\overline{Y}$  : Ready/Busy**

The R $\overline{Y}$ /B $\overline{Y}$  is a dedicated, open-drain output pin that indicates whether an Embedded algorithm is in progress or complete. The R $\overline{Y}$ /B $\overline{Y}$  status is valid after the rising edge of the final  $\overline{WE}$  pulse in the command sequence. Since R $\overline{Y}$ /B $\overline{Y}$  is an open-drain output, several R $\overline{Y}$ /B $\overline{Y}$  pins can be tied together in parallel with a pull-up resistor to VCC<sub>F</sub>.

If the output is low (Busy), the device is actively erasing or programming. (This includes programming in the Erase Suspend mode.) If the output is high (Ready), the device is ready to read array data (including during the Erase Suspend mode), or is in the standby mode.

Table 13 shows the outputs for R $\overline{Y}$ /B $\overline{Y}$ .

**I/O<sub>6</sub>: Toggle Bit I**

Toggle Bit I on I/O<sub>6</sub> indicates whether an Embedded Program or Erase algorithm is in progress or complete, or whether the device has entered the Erase Suspend mode. Toggle Bit I may be read at any address, and is valid after the rising edge of the final  $\overline{WE}$  pulse in the command sequence (prior to the program or erase operation), and during the sector erase time-out.

During an Embedded Program or Erase algorithm operation, successive read cycles to any address cause I/O<sub>6</sub> to toggle.

The system may use either  $\overline{OE}$  or  $\overline{CE}_F$  to control the read cycles. When the operation is complete, I/O<sub>6</sub> stops toggling.

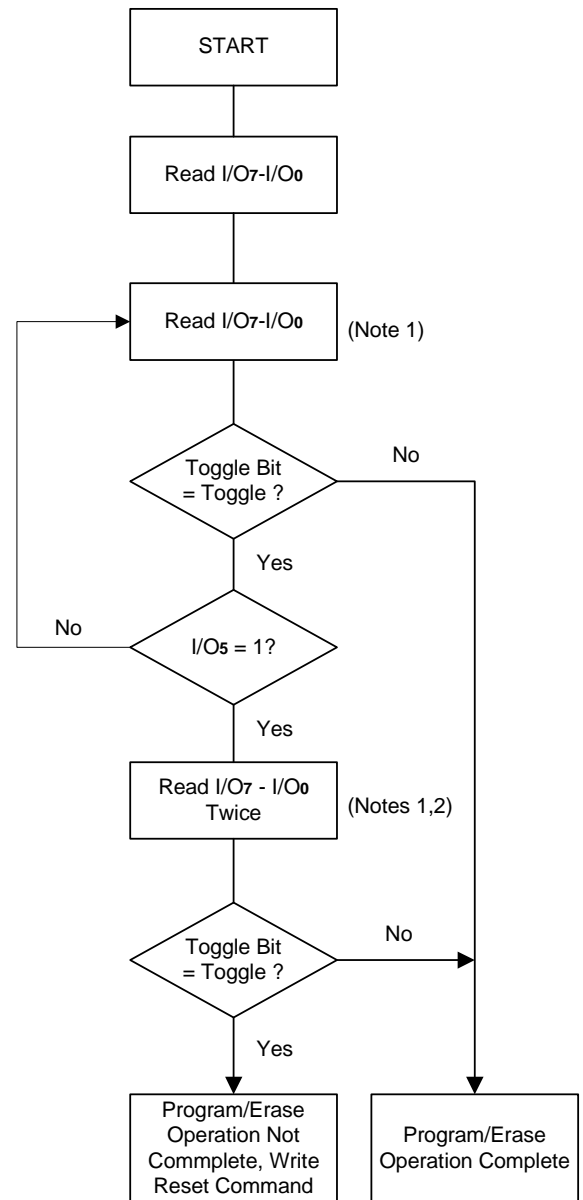
After an erase command sequence is written, if all sectors selected for erasing are protected, I/O<sub>6</sub> toggles for approximately 100 $\mu$ s, then returns to reading array data. If not all selected sectors are protected, the Embedded Erase algorithm erases the unprotected sectors, and ignores the selected sectors that are protected.

The system can use I/O<sub>6</sub> and I/O<sub>2</sub> together to determine whether a sector is actively erasing or is erase-suspended. When the device is actively erasing (that is, the Embedded Erase algorithm is in progress), I/O<sub>6</sub> toggles. When the device enters the Erase Suspend mode, I/O<sub>6</sub> stops toggling. However, the system must also use I/O<sub>2</sub> to determine which sectors are erasing or erase-suspended. Alternatively, the system can use I/O<sub>7</sub> (see the subsection on "I/O<sub>7</sub>: Data Polling").

If a program address falls within a protected sector, I/O<sub>6</sub> toggles for approximately 1 $\mu$ s after the program command sequence is written, then returns to reading array data.

I/O<sub>6</sub> also toggles during the erase-suspend-program mode, and stops toggling once the Embedded Program algorithm is complete.

Table 13 shows the outputs for Toggle Bit I on I/O<sub>6</sub>. Figure 6 shows the toggle bit algorithm. Figure 20 in the "AC Characteristics" section shows the toggle bit timing diagrams. Figure 23 shows the differences between I/O<sub>2</sub> and I/O<sub>6</sub> in graphical form. See also the subsection on I/O<sub>2</sub>: Toggle Bit II.



Note:  
The system should recheck the toggle bit even if I/O<sub>5</sub>="1" because the toggle bit may stop toggling as I/O<sub>5</sub> changes to "1". See the subsections on I/O<sub>6</sub> and I/O<sub>2</sub> for more information.

**Figure 6. Toggle Bit Algorithm**



### I/O<sub>2</sub>: Toggle Bit II

The "Toggle Bit II" on I/O<sub>2</sub>, when used with I/O<sub>6</sub>, indicates whether a particular sector is actively erasing (that is, the Embedded Erase algorithm is in progress), or whether that sector is erase-suspended. Toggle Bit II is valid after the rising edge of the final  $\overline{WE}$  pulse in the command sequence. I/O<sub>2</sub> toggles when the system reads at addresses within those sectors that have been selected for erasure. (The system may use either  $\overline{OE}$  or  $\overline{CE}_F$  to control the read cycles.) But I/O<sub>2</sub> cannot distinguish whether the sector is actively erasing or is erase-suspended. I/O<sub>6</sub>, by comparison, indicates whether the device is actively erasing, or is in Erase Suspend, but cannot distinguish which sectors are selected for erasure. Thus, both status bits are required for sector and mode information. Refer to Table 8 to compare outputs for I/O<sub>2</sub> and I/O<sub>6</sub>.

Figure 6 shows the toggle bit algorithm in flowchart form, and the section "I/O<sub>2</sub>: Toggle Bit II" explains the algorithm. See also the "I/O<sub>6</sub>: Toggle Bit I" subsection. Figure 20 shows the toggle bit timing diagram. Figure 21 shows the differences between I/O<sub>2</sub> and I/O<sub>6</sub> in graphical form.

### Reading Toggle Bits I/O<sub>6</sub>, I/O<sub>2</sub>

Refer to Figure 6 for the following discussion. Whenever the system initially begins reading toggle bit status, it must read I/O<sub>7</sub>-I/O<sub>0</sub> at least twice in a row to determine whether a toggle bit is toggling. Typically, a system would note and store the value of the toggle bit after the first read. After the second read, the system would compare the new value of the toggle bit with the first. If the toggle bit is not toggling, the device has completed the program or erase operation. The system can read array data on I/O<sub>7</sub>-I/O<sub>0</sub> on the following read cycle.

However, if after the initial two read cycles, the system determines that the toggle bit is still toggling, the system also should note whether the value of I/O<sub>5</sub> is high (see the section on I/O<sub>5</sub>). If it is, the system should then determine again whether the toggle bit is toggling, since the toggle bit may have stopped toggling just as I/O<sub>5</sub> went high. If the toggle bit is no longer toggling, the device has successfully completed the program or erase operation. If it is still toggling, the device did not complete the operation successfully, and the system must write the reset command to return to reading array data. The remaining scenario is that the system initially determines that the toggle bit is toggling and I/O<sub>5</sub> has not gone high. The system may continue to monitor the toggle bit and I/O<sub>5</sub> through successive read cycles, determining the status as described in the previous paragraph. Alternatively, it may choose to perform other system tasks. In this case, the system must start at the beginning of the algorithm when it returns to determine the status of the operation (top of Figure 6).

### I/O<sub>5</sub>: Exceeded Timing Limits

I/O<sub>5</sub> indicates whether the program or erase time has exceeded a specified internal pulse count limit. Under these conditions I/O<sub>5</sub> produces a "1." This is a failure condition that indicates the program or erase cycle was not successfully completed.

The device may output a "1" on I/O<sub>5</sub> if the system tries to program a "1" to a location that was previously programmed to "0." Only an erase operation can change a "0" back to a "1." Under this condition, the device halts the operation, and when the timing limit has been exceeded, I/O<sub>5</sub> produces a "1."

Under both these conditions, the system must write the reset command to return to reading array data (or to the erase-suspend-read mode if a bank was previously in the erase-suspend-program mode).

### I/O<sub>3</sub>: Sector Erase Timer

After writing a sector erase command sequence, the system may read I/O<sub>3</sub> to determine whether or not an erase operation has begun. (The sector erase timer does not apply to the chip erase command.) If additional sectors are selected for erasure, the entire time-out also applies after each additional sector erase command. When the time-out is complete, I/O<sub>3</sub> switches from "0" to "1." The system may ignore I/O<sub>3</sub> if the system can guarantee that the time between additional sector erase commands will always be less than 50 $\mu$ s. See also the "Sector Erase Command Sequence" section.

After the sector erase command sequence is written, the system should read the status on I/O<sub>7</sub> (Data Polling) or I/O<sub>6</sub> (Toggle Bit 1) to ensure the device has accepted the command sequence, and then read I/O<sub>3</sub>. If I/O<sub>3</sub> is "1", the internally controlled erase cycle has begun; all further commands (Except Erase Suspend) are ignored until the erase operation is complete. If I/O<sub>3</sub> is "0", the device will accept additional sector erase commands. To ensure the command has been accepted, the system software should check the status of I/O<sub>3</sub> prior to and following each subsequent sector erase command. If I/O<sub>3</sub> is high on the second status check, the last command might not have been accepted.

Table 13 shows the status of I/O<sub>3</sub> relative to the other status bits.

**Table 13. Write Operation Status**

Status		I/O <sub>7</sub> (Note 2)	I/O <sub>6</sub>	I/O <sub>5</sub> (Note 1)	I/O <sub>3</sub>	I/O <sub>2</sub> (Note 2)	R <sub>Y</sub> /B <sub>Y</sub>	
Standard Mode	Embedded Program Algorithm	$\overline{\text{I/O}}_7$	Toggle	0	N/A	No toggle	0	
	Embedded Erase Algorithm	0	Toggle	0	1	Toggle	0	
Erase Suspend Mode	Erase-Suspend-Read	Erase Suspended Sector	1	No toggle	0	N/A	Toggle	1
		Non-Erase Suspend Sector	Data	Data	Data	Data	Data	1
	Erase-Suspend-Program	$\overline{\text{I/O}}_7$	Toggle	0	N/A	N/A	0	

**Notes:**

1. I/O<sub>5</sub> switches to '1' when an Embedded Program or Embedded Erase operation has exceeded the maximum timing limits. Refer to the section on I/O<sub>5</sub> for more information.
2. I/O<sub>7</sub> and I/O<sub>2</sub> require a valid address when reading status information. Refer to the appropriate subsection for further details.
3. When reading write operation status bits, the system must always provide the bank address where the Embedded Algorithm is in progress. The device outputs array data if the system addresses a non-busy bank.

**ABSOLUTE MAXIMUM RATINGS\***

Storage Temperature Plastic Packages. . .	-65°C to + 150°C
Ambient Temperature with Power Applied. -65°C to + 125°C	
Voltage with Respect to Ground	
VCC_F/VCC_S (Note 1) . . . . .	-0.5V to +4.0V
A9, $\overline{OE}$ & $\overline{RESET}$ (Note 2) . . . . .	-0.5V to +12.5V
$\overline{WP}$ /ACC . . . . .	-0.5V to +10.5V
All other pins (Note 1) . . . . .	-0.5V to VCC_F/VCC_S + 0.5V
Output Short Circuit Current (Note 3) . . . . .	200mA

**Notes:**

1. Minimum DC voltage on input or I/O pins is -0.5V. During voltage transitions, input or I/O pins may undershoot VSS to -2.0V for periods of up to 20ns. Maximum DC voltage on input and I/O pins is VCC\_F/VCC\_S + 0.5V. See Figure 7. During voltage transitions, input or I/O pins may overshoot to VCC\_F/VCC\_S + 2.0V for periods up to 20ns. See Figure 8.
2. Minimum DC input voltage on A9,  $\overline{OE}$ ,  $\overline{RESET}$  and  $\overline{WP}$  /ACC is -0.5V. During voltage transitions, A9,  $\overline{OE}$ ,  $\overline{WP}$  /ACC and  $\overline{RESET}$  may overshoot VSS to -2.0V for periods of up to 20ns. See Figure 7. Maximum DC input voltage on A9 is +12.5V which may overshoot to 14.0V for periods up to 20ns. Maximum DC input voltage on  $\overline{WP}$  /ACC is +9.5V which may overshoot to +12.0V for period up to 20ns.
3. No more than one output is shorted to ground at a time. Duration of the short circuit should not be greater than one second.

**\*Comments**

Stresses above those listed under "Absolute Maximum Ratings" may cause permanent damage to this device. This is a stress rating only; functional operation of the device at these or any other conditions above those indicated in the operational sections of this data sheet is not implied. Exposure of the device to absolute maximum rating conditions for extended periods may affect device reliability.

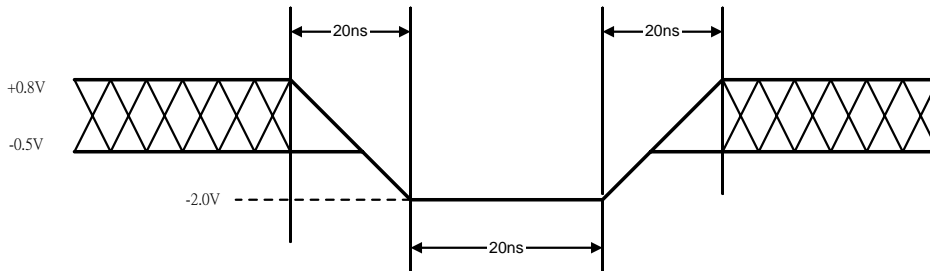
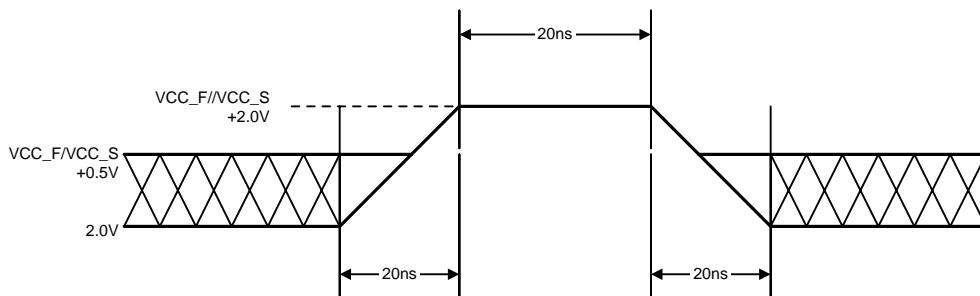
**OPERATING RANGES**
**Industrial (I) Devices**

Ambient Temperature (T<sub>A</sub>) . . . . . -40°C to +85°C

**VCC Supply Voltages**

VCC\_F/VCC\_S for all devices . . . . . +2.7V to +3.6V

Operating ranges define those limits between which the functionality of the device is guaranteed.

**Figure 7. Maximum Negative Overshoot Waveform**

**Figure 8. Maximum Positive Overshoot Waveform**


**DC CHARACTERISTICS**
**CMOS Compatible**

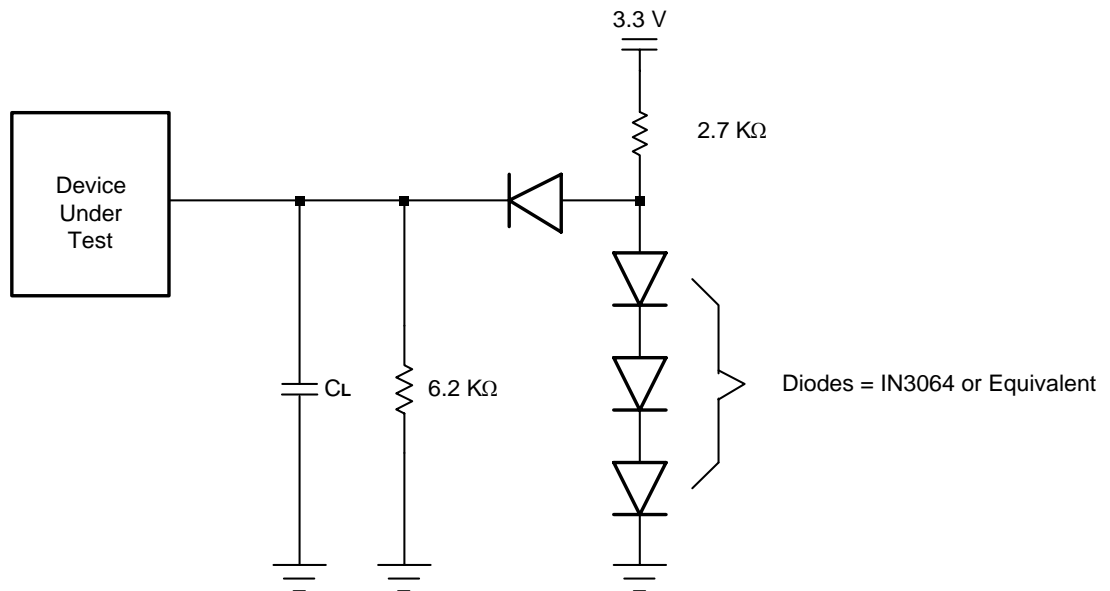
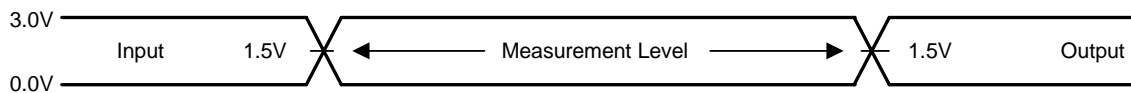
Parameter Symbol	Parameter Description	Test Description	Min.	Typ.	Max.	Unit	
I <sub>LI</sub>	Input Load Current	V <sub>IN</sub> = V <sub>SS</sub> to V <sub>CC_F</sub> . V <sub>CC_F</sub> = V <sub>CC_F</sub> Max			±1.0	μA	
I <sub>LIT</sub>	A9 Input Load Current	V <sub>CC</sub> = V <sub>CC</sub> Max, A9 = 12.5V			35	μA	
I <sub>LO</sub>	Output Leakage Current	V <sub>OUT</sub> = V <sub>SS</sub> to V <sub>CC_F</sub> . V <sub>CC</sub> = V <sub>CC_F</sub> Max			±1.0	μA	
I <sub>CC1_F</sub>	V <sub>CC_F</sub> Active Read Current (Notes 1, 2)	Byte Mode $\overline{CE}_F = V_{IL}, \overline{OE} = V_{IH}$	5 MHz	10	16	mA	
			1 MHz	2	4		
		Word Mode $\overline{CE}_F = V_{IL}, \overline{OE} = V_{IH}$	5 MHz	10	16		
			1 MHz	2	4		
I <sub>CC2_F</sub>	V <sub>CC_F</sub> Active Write Current (Notes 2, 3)	$\overline{CE}_F = V_{IL}, \overline{OE} = V_{IH}$		20	30	mA	
I <sub>CC3_F</sub>	V <sub>CC_F</sub> Standby Current (Note 2)	$\overline{CE}_F = V_{IH}, \overline{RESET} = V_{CC_F} \pm 0.3V$		0.2	5	μA	
I <sub>CC4_F</sub>	V <sub>CC_F</sub> Reset Current (Note 2)	$\overline{RESET} = V_{SS} \pm 0.3V$		0.2	5	μA	
I <sub>CC5_F</sub>	Automatic Sleep Mode (Note 2, 4)	V <sub>IH</sub> = V <sub>CC_F</sub> ± 0.3V; V <sub>IL</sub> = V <sub>SS</sub> ± 0.3V		0.2	5	μA	
I <sub>CC6_F</sub>	V <sub>CC_F</sub> Active Read-While-Program Current (Notes 1, 2)	$\overline{CE}_F = V_{IL}, \overline{OE} = V_{IH}$	Byte		21	45	mA
			Word		21	45	
I <sub>CC7_F</sub>	V <sub>CC_F</sub> Active Read-While-Erase Current (Notes 1, 2)	$\overline{CE}_F = V_{IL}, \overline{OE} = V_{IH}$	Byte		21	45	mA
			Word		21	45	
I <sub>CC8_F</sub>	V <sub>CC_F</sub> Active Program-While-Erase-Suspended Current (Notes 2, 5)	$\overline{CE}_F = V_{IL}, \overline{OE} = V_{IH}$		17	35	mA	
I <sub>ACC</sub>	ACC Accelerated Program Current, Word or Byte	$\overline{CE}_F = V_{IL}, \overline{OE} = V_{IH}$	ACC pin		5	10	mA
			V <sub>CC_F</sub> pin		15	30	
V <sub>IL</sub>	Input Low Level		-0.5		0.8	V	
V <sub>IH</sub>	Input High Level		0.7 x V <sub>CC_F</sub>		V <sub>CC_F</sub> + 0.3	V	
V <sub>HH</sub>	Voltage for $\overline{WP}$ /ACC Sector Protect/Unprotect and Program Acceleration	V <sub>CC_F</sub> = 3.0 V ± 10%	8.5		9.5	V	
V <sub>ID</sub>	Voltage for Autoselect and Temporary Unprotect Sector	V <sub>CC_F</sub> = 3.0 V ± 10%	8.5		12.5	V	
V <sub>OL</sub>	Output Low Voltage	I <sub>OL</sub> = 4.0mA, V <sub>CC_F</sub> = V <sub>CC_F</sub> Min			0.45	V	
V <sub>OH1</sub>	Output High Voltage	I <sub>OH</sub> = -2.0 mA, V <sub>CC_F</sub> = V <sub>CC_F</sub> Min	0.85x V <sub>CC_F</sub>			V	
V <sub>OH2</sub>		I <sub>OH</sub> = -100 μA, V <sub>CC_F</sub> = V <sub>CC</sub> Min	V <sub>CC_F</sub> - 0.4			V	
V <sub>LKO</sub>	Low V <sub>CC_F</sub> Lock-Out Voltage (Note 5)		2.3		2.5	V	

**Notes:**

1. The I<sub>CC</sub> current listed is typically less than 2 mA/MHz, with  $\overline{OE}$  at V<sub>IH</sub>.
2. Maximum I<sub>CC</sub> specifications are tested with V<sub>CC\_F</sub> = V<sub>CC\_F</sub> max.
3. I<sub>CC</sub> active while Embedded Algorithm (program or erase) is in progress.
4. Automatic sleep mode enables the low power mode when addresses remain stable for t<sub>acc\_F</sub> + 30ns. Typical sleep mode current is 200nA.
5. Not 100% tested.

**TEST CONDITIONS**
**Table 14. Test Specifications**

Test Condition	-70	Unit
Output Load	1 TTL gate	
Output Load Capacitance, $C_L$ (including jig capacitance)	30	pF
Input Rise and Fall Times	5	ns
Input Pulse Levels	0.0 - 3.0	V
Input timing measurement reference levels	1.5	V
Output timing measurement reference levels	1.5	V

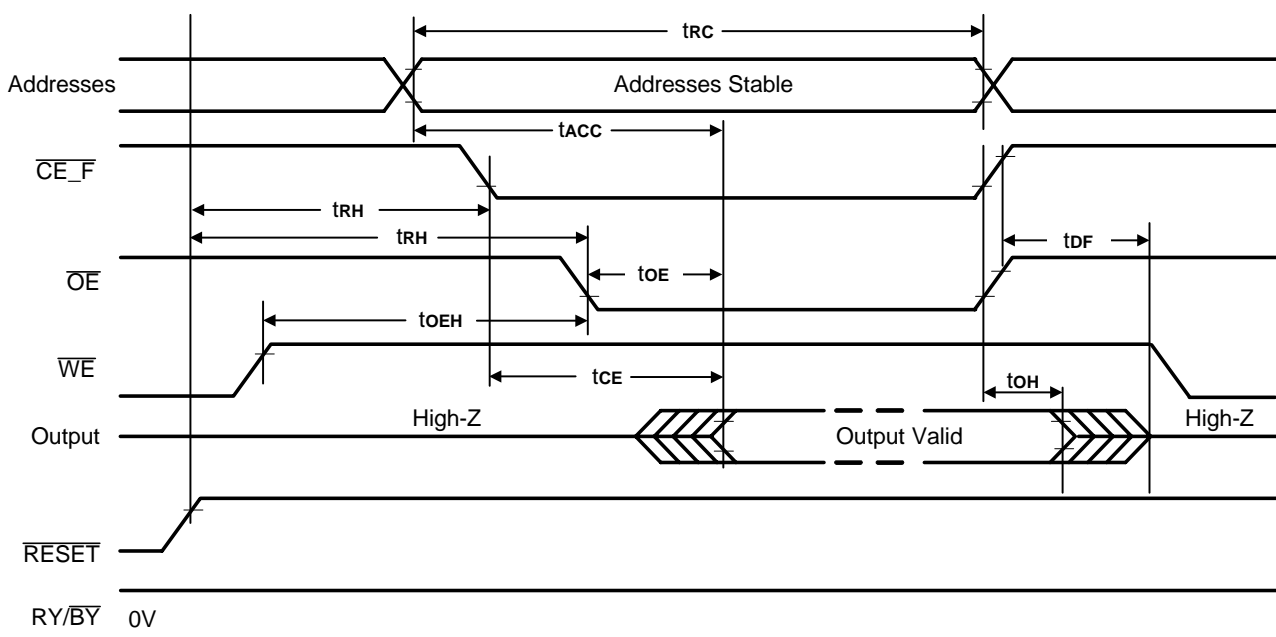
**Figure 9. Test Setup**

**Figure 10. Input Waveforms and Measurement Levels**


**AC CHARACTERISTICS**
**Read Only Operations**

Parameter		Description	Test Setup		Speed	Unit
JEDEC	Std				-70	
tAVAV	trc	Read Cycle Time (Note 1)		Min.	70	ns
tAVQV	tACC	Address to Output Delay	$\overline{CE\_F} = V_{IL}$ $\overline{OE} = V_{IL}$	Max.	70	ns
tELQV	tCE	Chip Enable to Output Delay	$\overline{OE} = V_{IL}$	Max.	70	ns
tGLQV	toE	Output Enable to Output Delay		Max.	30	ns
tEHQZ	tdF	Chip Enable to Output High Z (Notes 1,3)		Max.	16	ns
tGHQZ	tdF	Output Enable to Output High Z (Notes 1,3)		Max.	16	ns
tAXQX	toH	Output Hold Time from Addresses, $\overline{CE}$ or $\overline{OE}$ , Whichever Occurs First		Min.	0	ns
	toEH	Output Enable Hold Time (Note 1)	Read	Min.	0	ns
			Toggle and Data Polling	Min.	10	ns

**Notes:**

1. Not 100% tested.
2. See Figure 9 and Table 14 for test specifications.
3. Measurements performed by placing a 50-ohm termination on the data pin with a bias of  $(V_{CC\_F})/2$ . The time from  $\overline{OE}$  high to the data bus driven to  $(V_{CC\_F})/2$  is taken as  $t_{dF}$ .

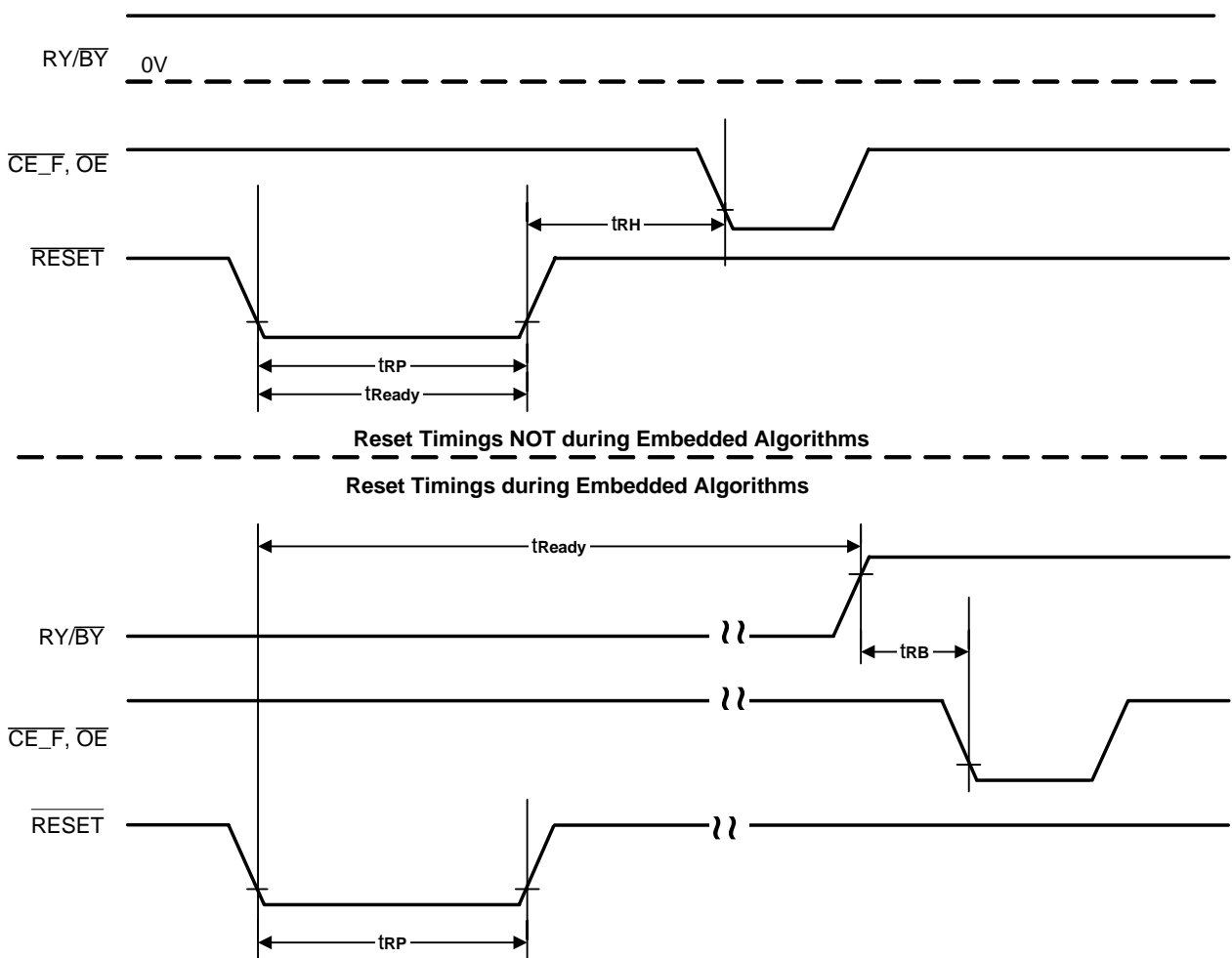
**Figure 11. Read Operation Timings**


**AC CHARACTERISTICS**
**Hardware Reset ( $\overline{\text{RESET}}$ )**

Parameter		Description	Test Setup		All Speed Options	Unit
JEDEC	Std					
	$t_{\text{READY}}$	$\overline{\text{RESET}}$ Pin Low (During Embedded Algorithms) to Read or Write (See Note)		Max	20	$\mu\text{s}$
	$t_{\text{READY}}$	$\overline{\text{RESET}}$ Pin Low (Not During Embedded Algorithms) to Read or Write (See Note)		Max	500	ns
	$t_{\text{RP}}$	$\overline{\text{RESET}}$ Pulse Width		Min	500	ns
	$t_{\text{RH}}$	$\overline{\text{RESET}}$ High Time Before Read (See Note)		Min	50	ns
	$t_{\text{RB}}$	$\text{RY}/\overline{\text{BY}}$ Recovery Time		Min	0	ns
	$t_{\text{RPD}}$	$\overline{\text{RESET}}$ Low to Standby Mode		Min	20	$\mu\text{s}$

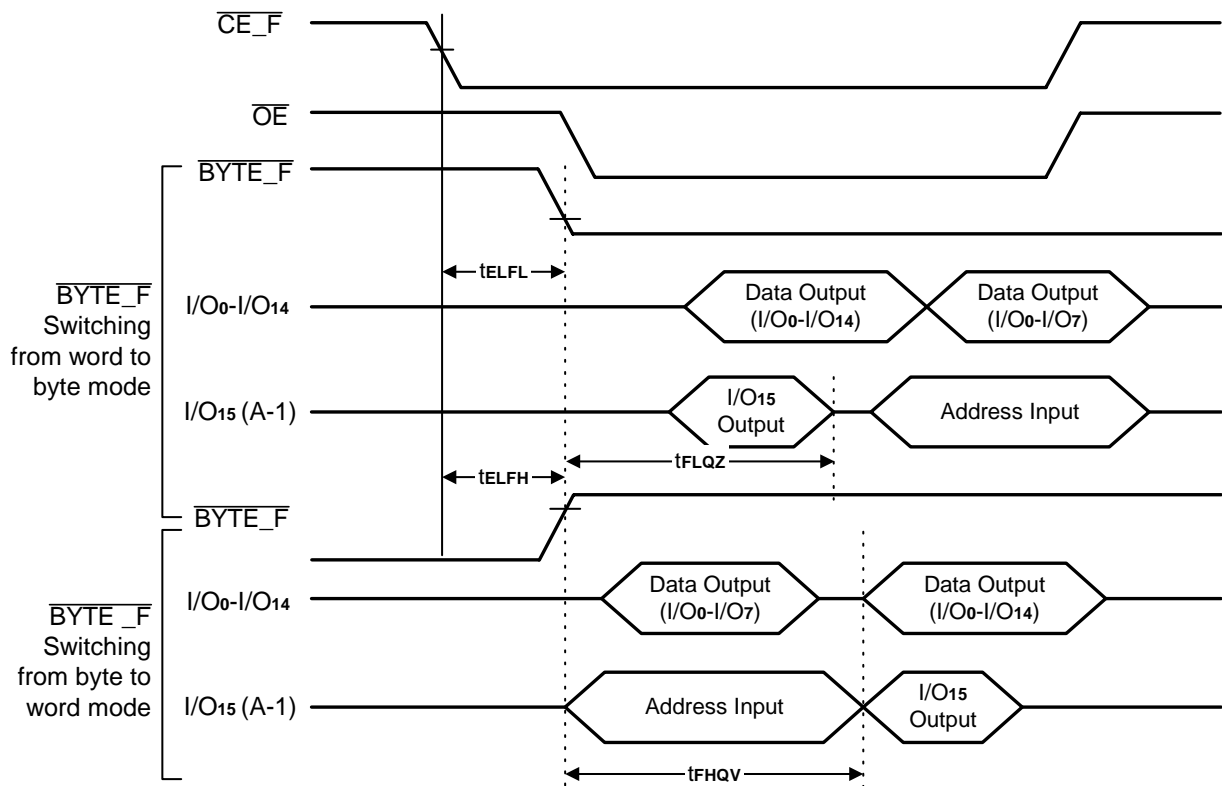
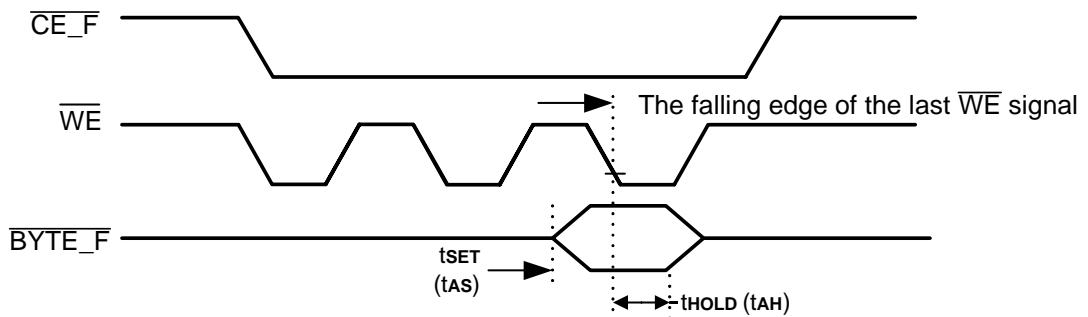
Note: Not 100% tested.

Figure 12.  $\overline{\text{RESET}}$  Timings



**AC CHARACTERISTICS**
**Word/Byte Configuration ( $\overline{\text{BYTE\_F}}$ )**

Parameter		Description		Speed Option	Unit
JEDEC	Std			-70	
	$t_{\text{ELFL}}/t_{\text{ELFH}}$	$\overline{\text{CE\_F}}$ to $\overline{\text{BYTE\_F}}$ Switching Low or High	Max	5	ns
	$t_{\text{FLQZ}}$	$\overline{\text{BYTE\_F}}$ Switching Low to Output High-Z	Max	25	ns
	$t_{\text{HQV}}$	$\overline{\text{BYTE\_F}}$ Switching High to Output Active	Min	70	ns

**Figure 13.  $\overline{\text{BYTE\_F}}$  Timings for Read Operations**

**Figure 14.  $\overline{\text{BYTE\_F}}$  Timings for Write Operations**


**Note:**  
Refer to the Erase/Program Operations table for  $t_{\text{AS}}$  and  $t_{\text{AH}}$  specifications.

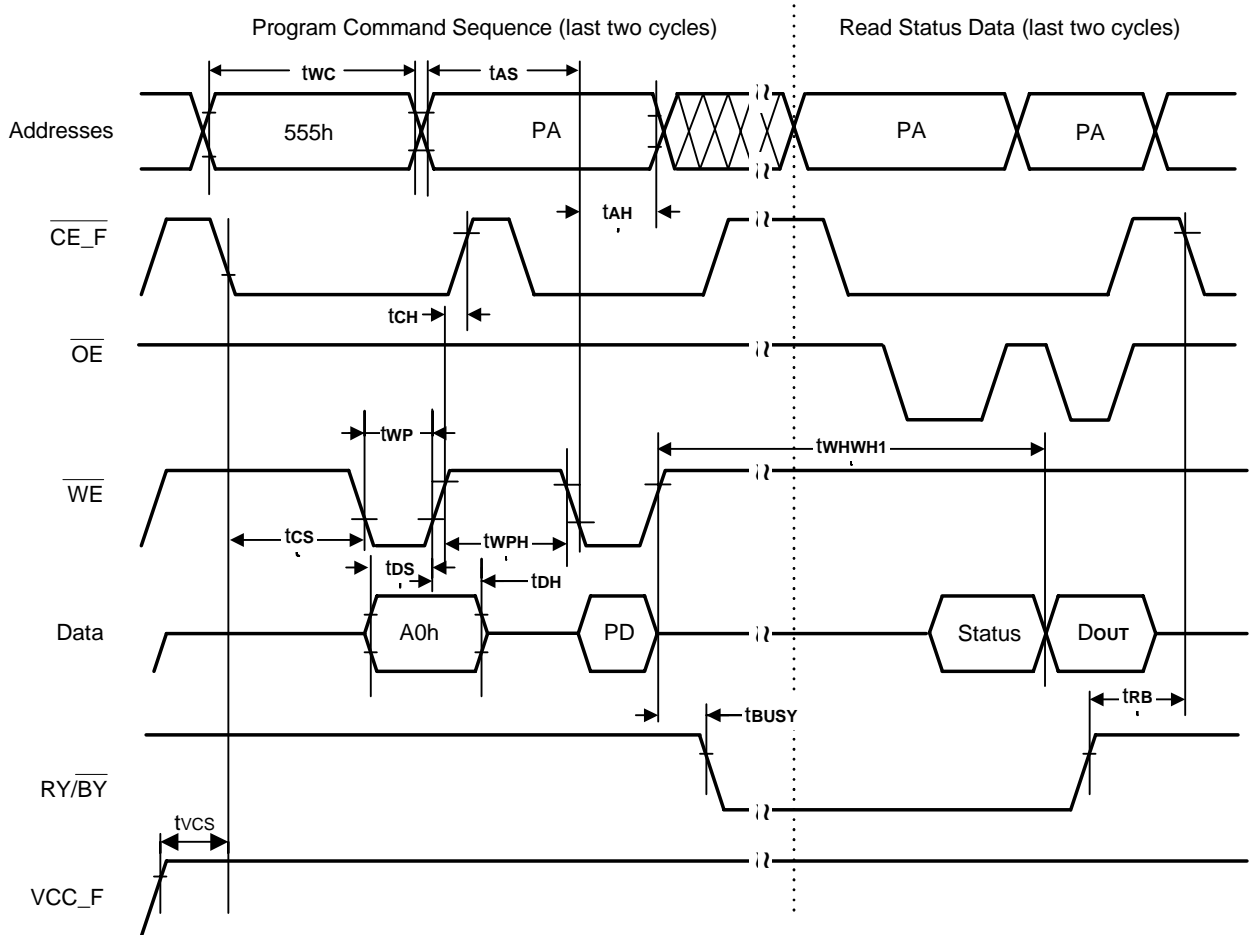


**AC CHARACTERISTICS**
**Erase and Program Operations**

Parameter		Description		Speed	Unit	
JEDEC	Std			-70		
tAVAV	tWC	Write Cycle Time (Note 1)	Min.	70	ns	
tAVWL	tAS	Address Setup Time	Min.	0	ns	
	tASO	Address Setup Time to $\overline{OE}$ low during toggle bit polling		15	ns	
tWLAX	tAH	Address Hold Time	Min.	45	ns	
	tAHT	Address Hold Time From $\overline{CE\_F}$ or $\overline{OE}$ high during toggle bit polling		0	ns	
tdVWH	tdS	Data Setup Time	Min.	35	ns	
tWHDX	tdH	Data Hold Time	Min.	0	ns	
	toEPH	Output Enable High during toggle bit polling	Min.	20	ns	
tGHWL	tGHWL	Read Recover Time Before Write ( $\overline{OE}$ high to $\overline{WE}$ low)	Min.	0	ns	
tELWL	tCS	$\overline{CE\_F}$ Setup Time	Min.	0	ns	
tWHEH	tCH	$\overline{CE\_F}$ Hold Time	Min.	0	ns	
tWLWH	tWP	Write Pulse Width	Min.	30	ns	
tWHDL	tWPH	Write Pulse Width High	Min.	30	ns	
	tSR/W	Latency Between Read and Write Operations	Min.	0		
tWHWH1	tWHWH1	Byte Programming Operation (Note 2)	Byte	Typ.	5	$\mu$ s
			Word	Typ.	7	
tWHWH1	tWHWH1	Accelerated Programming Operation, Word or Byte (Note 2)	Typ.	4	sec	
tWHWH2	tWHWH2	Sector Erase Operation (Note 2)	Typ.	0.7	sec	
	tVCS	VCC_F Set Up Time (Note 1)	Min.	50	$\mu$ s	
	tRB	Recovery Time from RY/ $\overline{BY}$	Min	0	ns	
	tBUSY	Program/Erase Valid to RY/ $\overline{BY}$ Delay	Min	90	ns	

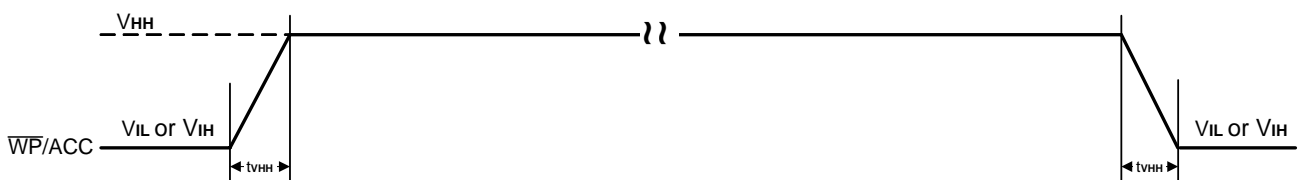
**Notes:**

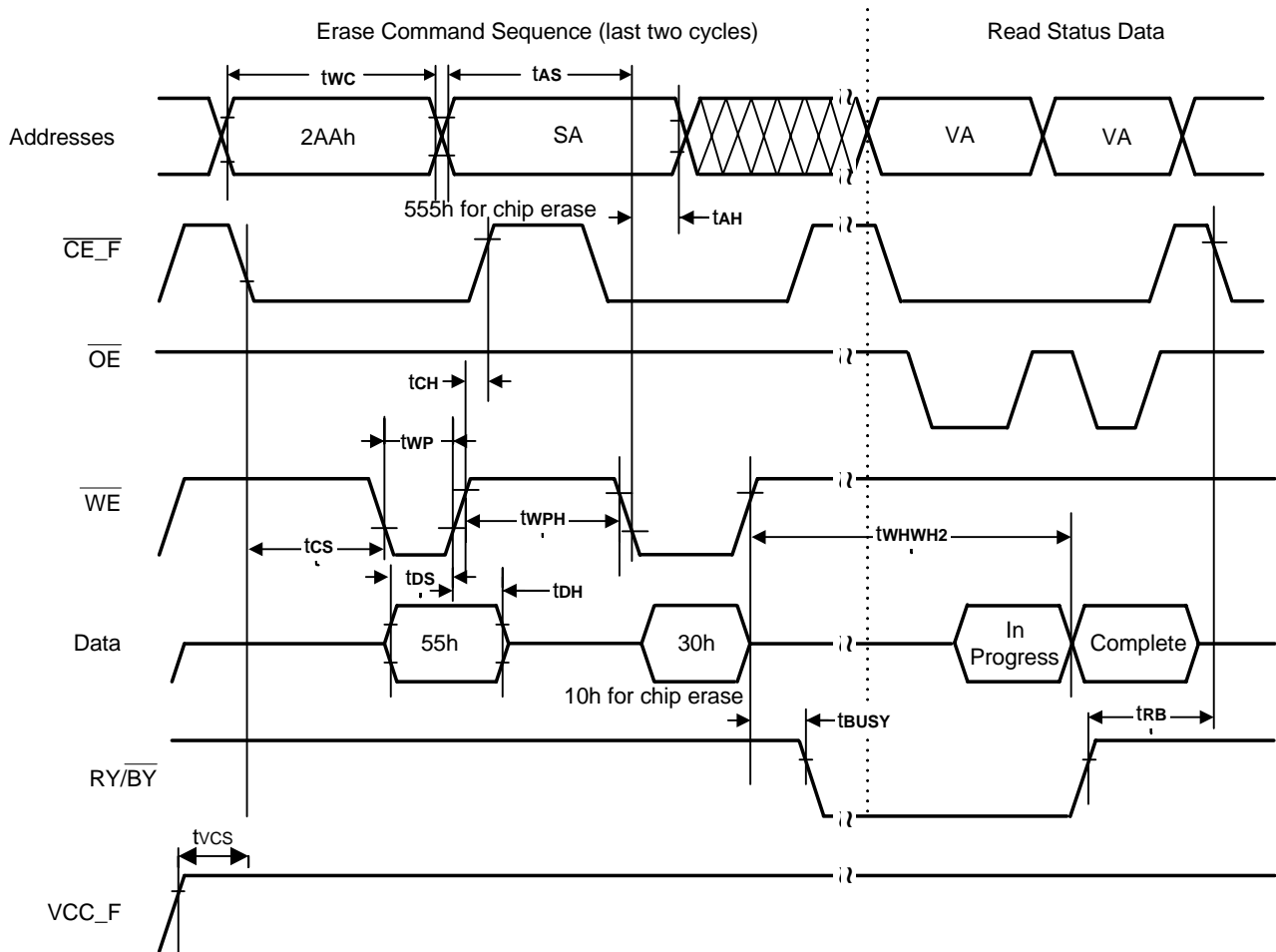
1. Not 100% tested.
2. See the "Erase and Programming Performance" section for more information.

**AC CHARACTERISTICS**
**Figure 15. Program Operation Timings**


Note :

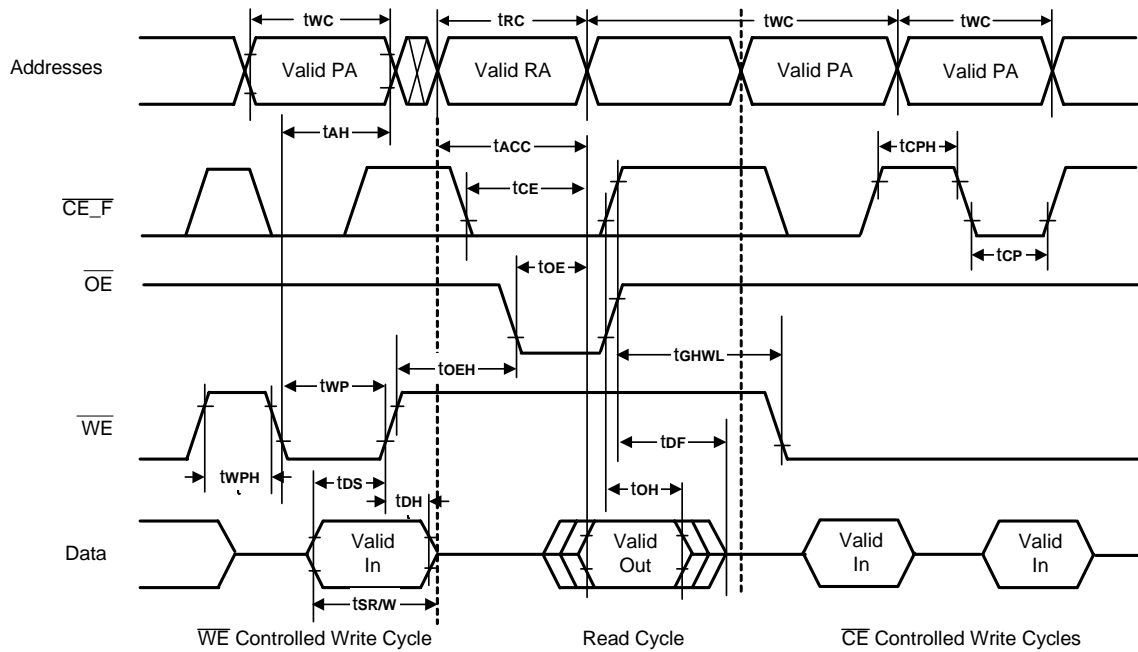
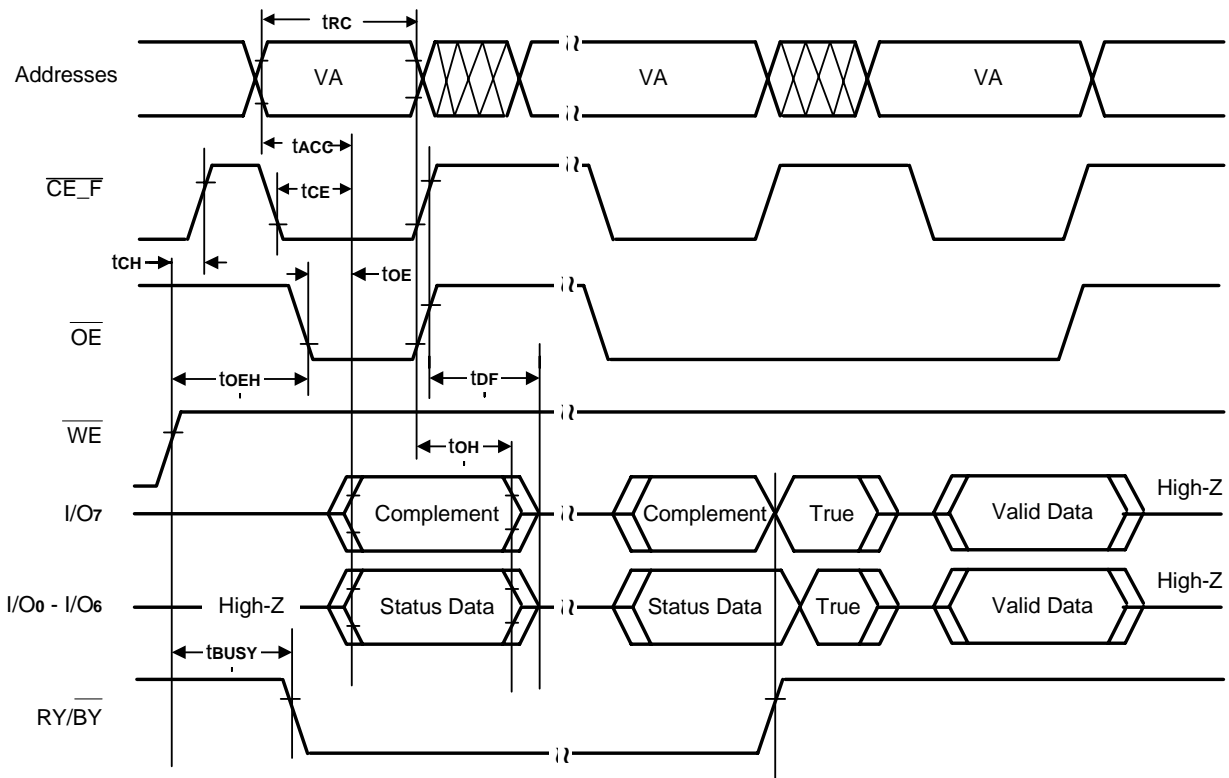
1. PA = program address, PD = program data, Dout is the true data at the program address.
2. Illustration shows device in word mode.

**Figure 16. Accelerated Program Timing Diagram**


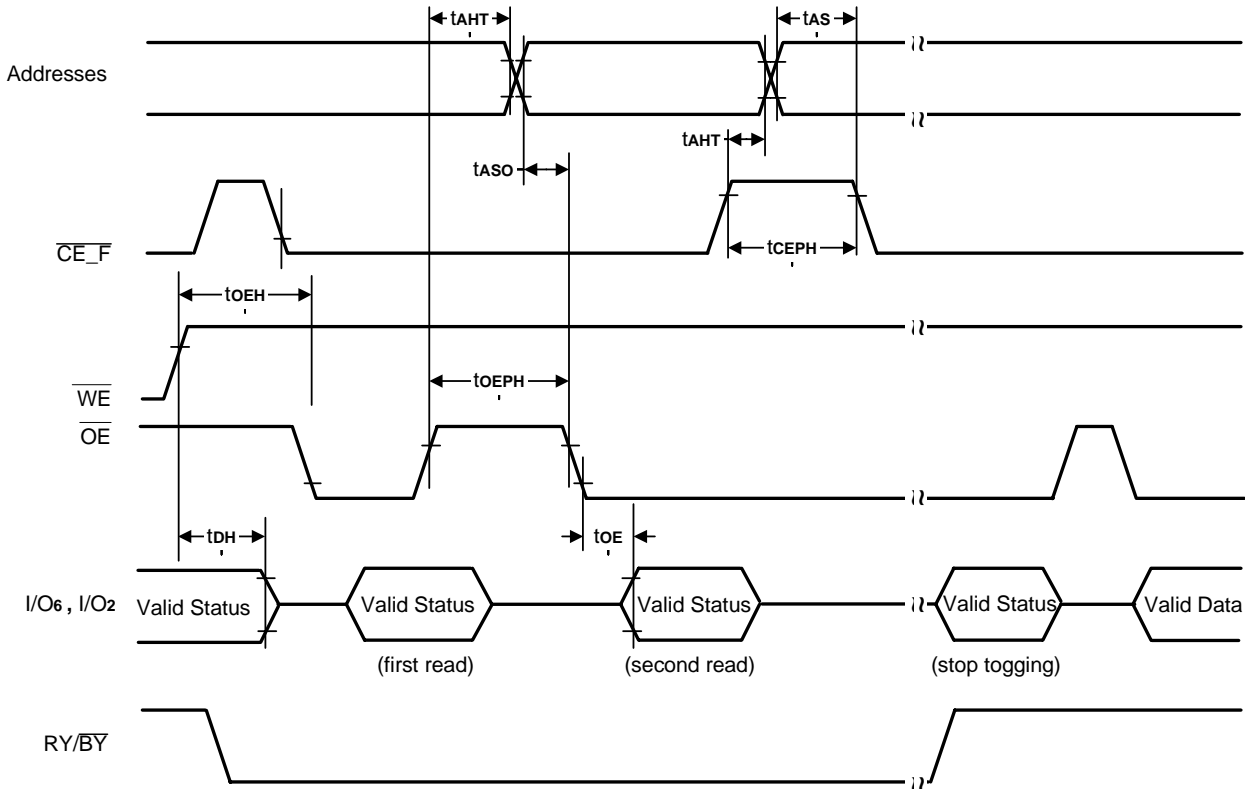
**AC CHARACTERISTICS**
**Figure 17. Chip/Sector Erase Operation Timings**


Note :

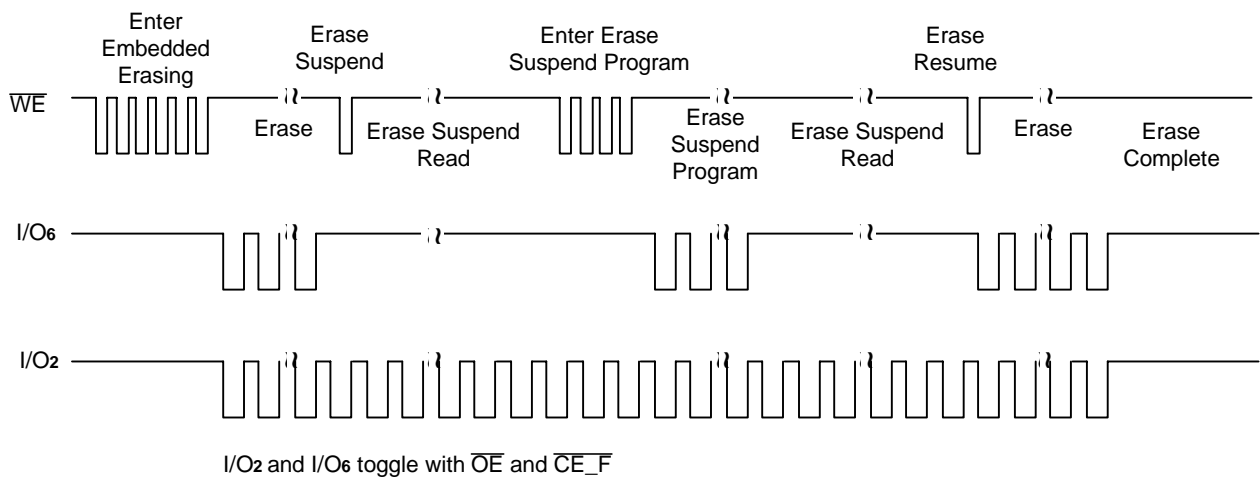
1. SA = Sector Address (for Sector Erase), VA = Valid Address for reading status data (see "Write Operation Status").
2. Illustration shows device in word mode.

**AC CHARACTERISTICS**
**Figure 18. Back-to-back Read/Write Cycle Timings**

**Figure 19. Data Polling Timings (During Embedded Algorithms)**


Note : VA = Valid Address. Illustration shows first status cycle after command sequence, last status read cycle, and array data read cycle.

**AC CHARACTERISTICS**
**Figure 20. Toggle Bit Timings (During Embedded Algorithms)**


Note: VA = Valid Address; not required for I/O<sub>6</sub>. Illustration shows first two status cycle after command sequence, last status read cycle, and array data read cycle.

**Figure 21. I/O<sub>2</sub> vs. I/O<sub>6</sub>**


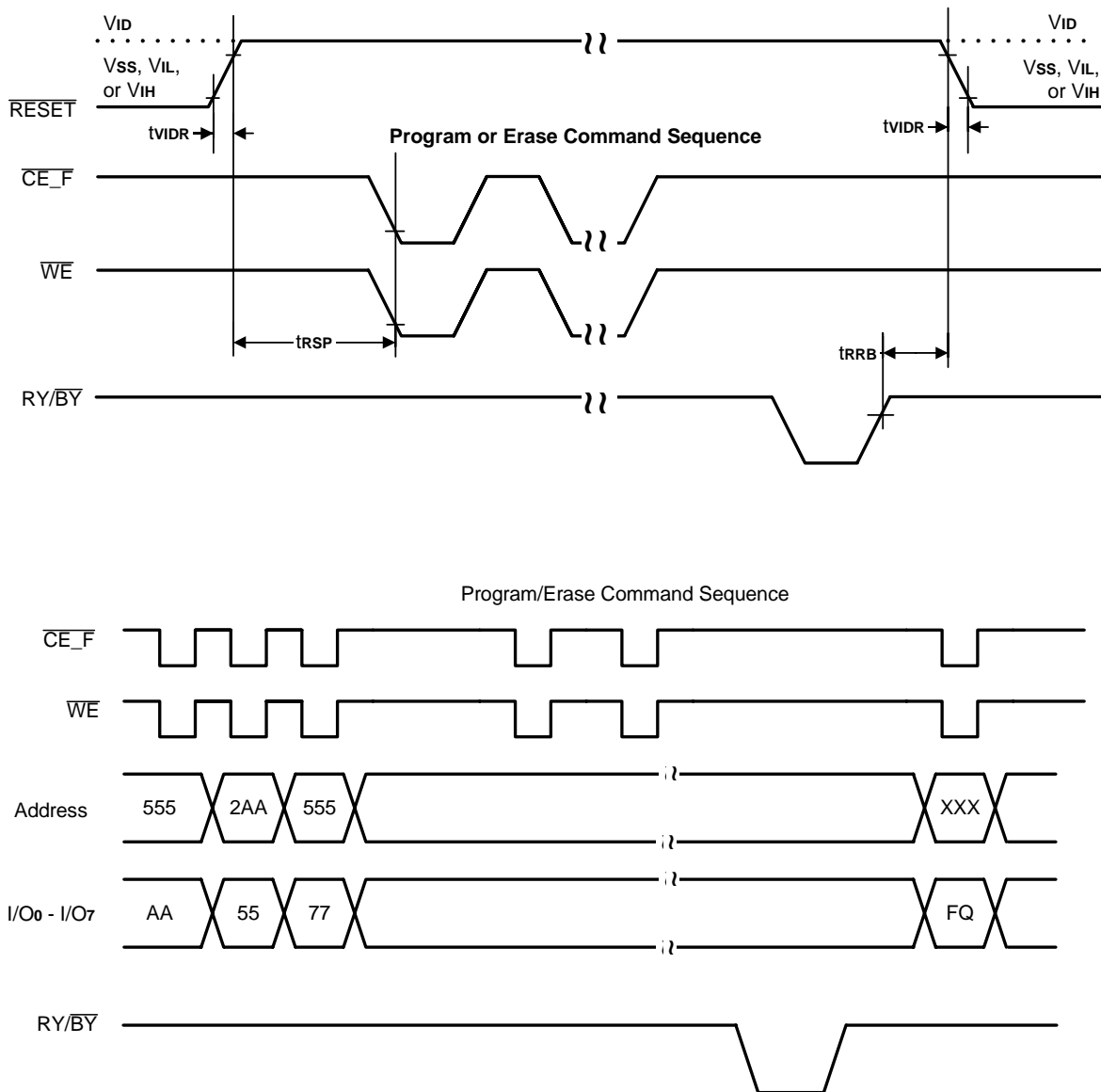
Note : Both I/O<sub>6</sub> and I/O<sub>2</sub> toggle with  $\overline{OE}$  or  $\overline{CE\_F}$ . See the text on I/O<sub>6</sub> and I/O<sub>2</sub> in the section "Write Operation Status" for more information.

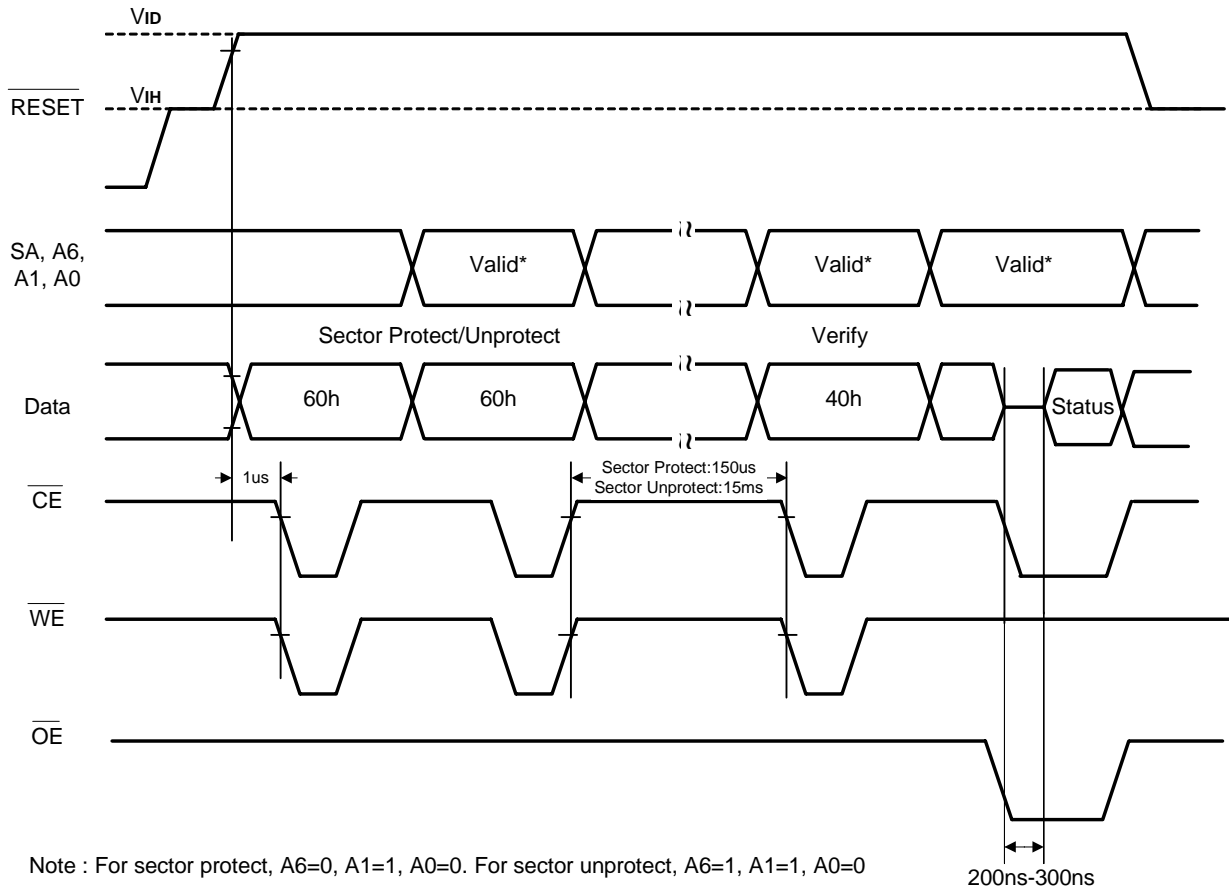
**AC CHARACTERISTICS**
**Temporary Sector/Sector Block Unprotect**

Parameter		Description		All Speed Options	Unit
JEDEC	Std				
	tVIDR	V <sub>ID</sub> Rise and Fall Time (See Note)	Min	500	ns
	tVHH	V <sub>HH</sub> Rise and Fall Time (See Note)	Min	250	μs
	tRSP	RESET Setup Time for Temporary Sector/Sector Block Unprotect	Min	4	μs
	tRRB	RESET Hold Time from RY/BY High for Temporary Sector/Sector Block Unprotect	Min	4	μs

Note: Not 100% tested.

Figure 22. Temporary Sector/Sector Block Unprotect Timing Diagram



**AC CHARACTERISTICS**
**Figure 23. Sector/Sector Block Protect and Unprotect Timing Diagram**


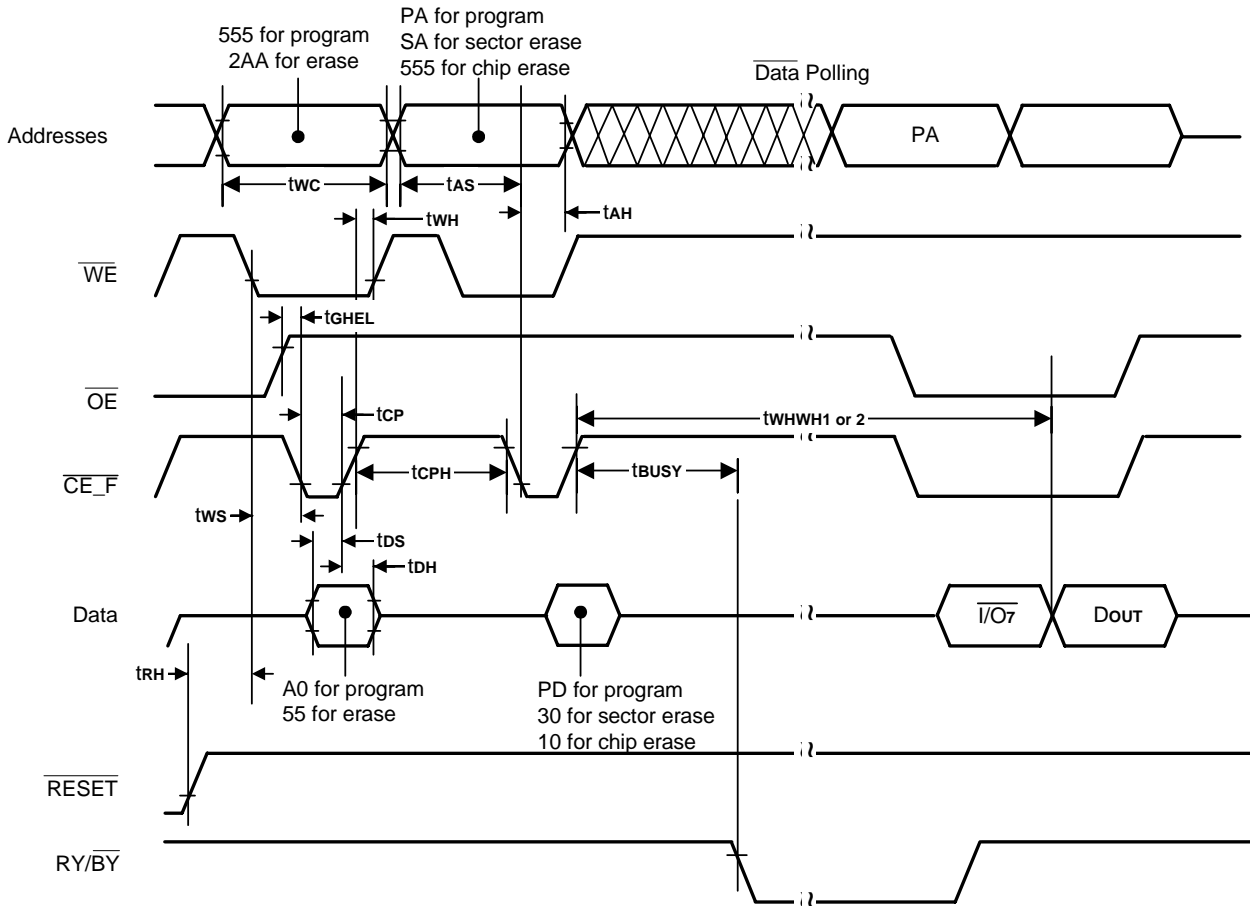
**AC CHARACTERISTICS**
**Alternate  $\overline{CE\_F}$  Controlled Erase and Program Operations**

Parameter		Description		Speed	Unit	
JEDEC	Std			-70		
tAVAV	tWC	Write Cycle Time (Note 1)	Min.	70	ns	
tAVEL	tAS	Address Setup Time	Min.	0	ns	
tELAX	tAH	Address Hold Time	Min.	45	ns	
tDVEH	tDS	Data Setup Time	Min.	35	ns	
tHDX	tDH	Data Hold Time	Min.	0	ns	
tGHEL	tGHEL	Read Recover Time Before Write ( $\overline{OE}$ High to $\overline{WE}$ Low)	Min.	0	ns	
tWLEL	tWS	$\overline{WE}$ Setup Time	Min.	0	ns	
tEWHH	tWH	$\overline{WE}$ Hold Time	Min.	0	ns	
tELEH	tCP	$\overline{CE\_F}$ Pulse Width	Min.	30	ns	
tEHEL	tCPH	$\overline{CE\_F}$ Pulse Width High	Min.	30	ns	
tWHWH1	tWHWH1	Programming Operation (Note 2)	Byte	Typ.	5	$\mu$ s
			Word	Typ.	7	
tWHWH1	tWHWH1	Accelerated Programming Operation, Word or Byte (Note 2)	Typ.	4	$\mu$ s	
tWHWH2	tWHWH2	Sector Erase Operation (Note 2)	Typ.	0.7	sec	

**Notes:**

1. Not 100% tested.
2. See the "Erase and Programming Performance" section for more information.



**AC CHARACTERISTICS**
**Figure 24. Alternate  $\overline{CE\_F}$  Controlled Write (Erase/Program) Operation Timings**

**Notes:**

1. Figure indicates last two bus cycles of a program or erase operation.
2. PA = program address, SA = sector address, PD = program data.
3.  $\overline{I/O_7}$  is the complement of the data written to the device. Dout is the data written to the device.
4. Waveforms are for the word mode.

**SRAM**
**DC Electrical Characteristics** ( $T_A = -40^{\circ}\text{C}$  to  $+85^{\circ}\text{C}$ ,  $V_{CC\_S} = 2.7\text{V}$  to  $3.6\text{V}$ ,  $GND = 0\text{V}$ )

Symbol	Parameter	- 70 ns		Unit	Conditions
		Min.	Max.		
$ I_{LI} $	Input Leakage Current	-	1	$\mu\text{A}$	$V_{IN} = GND$ to $V_{CC\_S}$
$ I_{LO} $	Output Leakage Current	-	1	$\mu\text{A}$	$\overline{CE1\_S} = V_{IH}$ or $CE2\_S = V_{IL}$ or $\overline{OE} = V_{IH}$ or $\overline{WE} = V_{IL}$ $V_{IO} = GND$ to $V_{CC}$
$I_{CC\_S}$	Active Power Supply Current	-	3	$\text{mA}$	$\overline{CE1\_S} = V_{IL}$ , $CE2\_S = V_{IH}$ $I_{IO} = 0\text{mA}$
$I_{CC1\_S}$	Dynamic Operating Current	-	30	$\text{mA}$	Min. Cycle, Duty = 100% $\overline{CE1\_S} = V_{IL}$ , $CE2\_S = V_{IH}$ $I_{IO} = 0\text{mA}$
$I_{CC2\_S}$		-	3	$\text{mA}$	$\overline{CE1\_S} = V_{IL}$ , $CE2\_S = V_{IH}$ $V_{IH} = V_{CC\_S}$ , $V_{IL} = 0\text{V}$ $f = 1\text{MHz}$ , $I_{IO} = 0\text{mA}$
$I_{SB\_S}$	Standby Power Supply Current	-	0.5	$\text{mA}$	$V_{CC\_S} \leq 3.3\text{V}$ , $\overline{CE1\_S} = V_{IH}$ or $CE2\_S = V_{IL}$
$I_{SB1\_S}$		-	5	$\mu\text{A}$	$V_{CC} \leq 3.3\text{V}$ , $\overline{CE1\_S} \geq V_{CC} - 0.2\text{V}$ or $CE2\_S \leq 0.2\text{V}$ , $V_{IN} \geq 0\text{V}$
$V_{OL}$	Output Low Voltage	-	0.4	$\text{V}$	$I_{OL} = 2.1\text{mA}$
$V_{OH}$	Output High Voltage	2.2	-	$\text{V}$	$I_{OH} = -1.0\text{mA}$

**Truth Table**

Mode	$\overline{CE1\_S}$	$CE2\_S$	$\overline{OE}$	$\overline{WE}$	I/O Operation	Supply Current
Standby	H	X	X	X	High Z	$I_{SB}$ , $I_{SB1}$
	X	L	X	X	High Z	$I_{SB}$ , $I_{SB1}$
Output Disable	L	H	H	H	High Z	$I_{CC}$ , $I_{CC1}$ , $I_{CC2}$
Read	L	H	L	H	D <sub>OUT</sub>	$I_{CC}$ , $I_{CC1}$ , $I_{CC2}$
Write	L	H	X	L	D <sub>IN</sub>	$I_{CC}$ , $I_{CC1}$ , $I_{CC2}$

Note: X = H or L

**Capacitance** ( $T_A = 25^\circ\text{C}$ ,  $f = 1.0\text{MHz}$ )

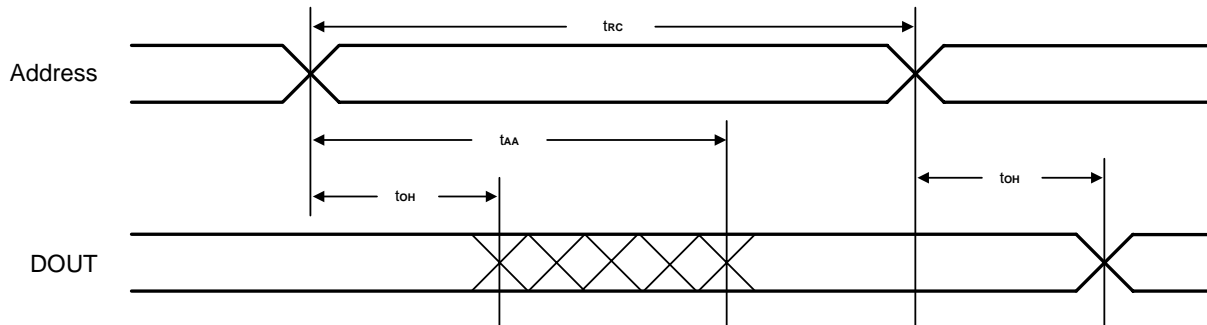
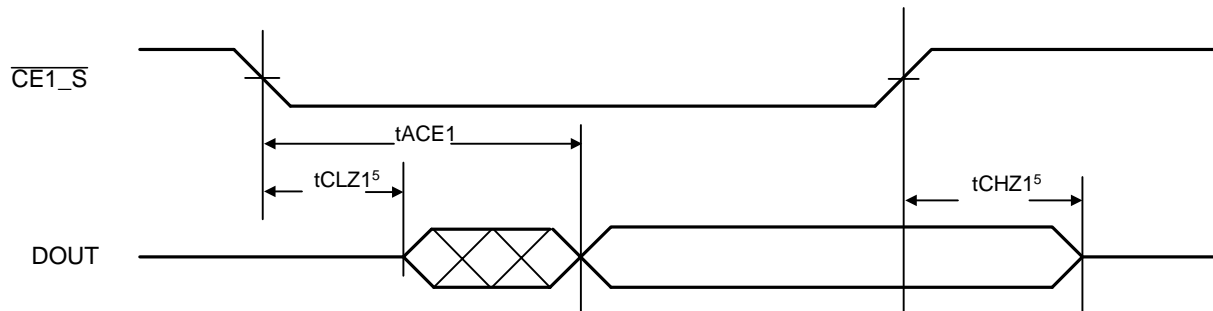
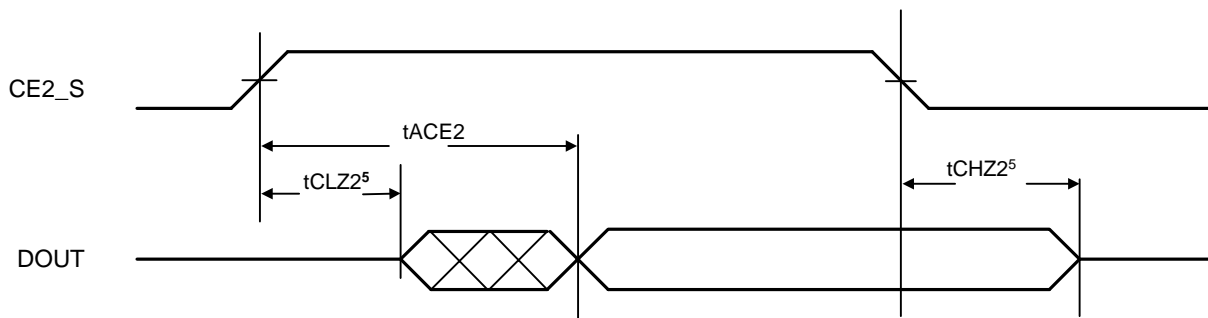
Symbol	Parameter	Min.	Max.	Unit	Conditions
$C_{IN}^*$	Input Capacitance		6	pF	$V_{IN} = 0V$
$C_{IO}^*$	Input/Output Capacitance		8	pF	$V_{IO} = 0V$

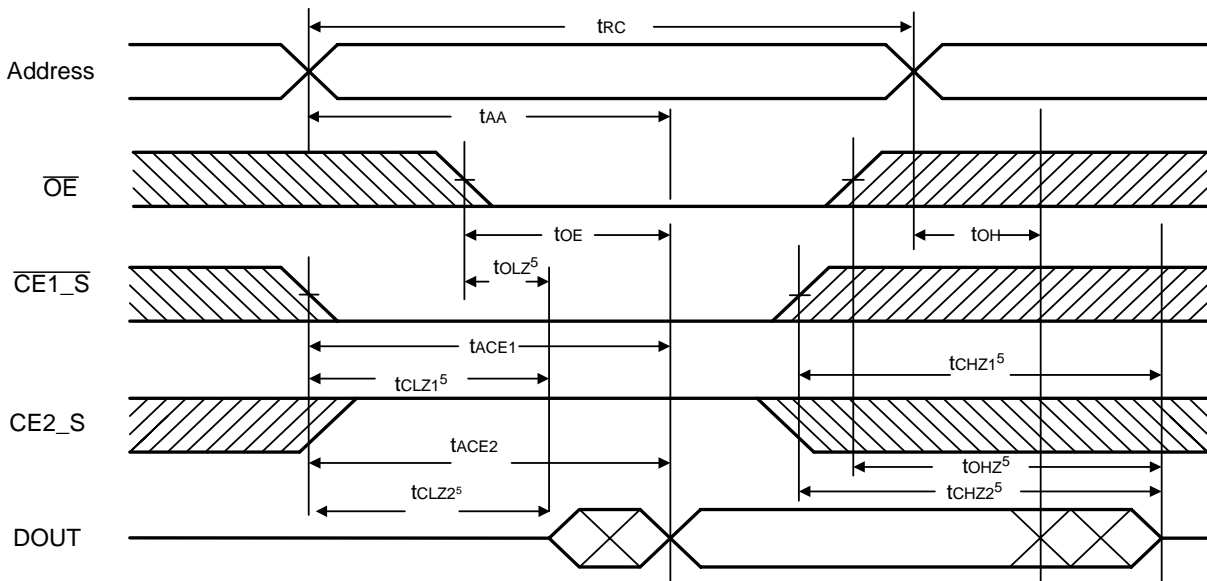
\* These parameters are sampled and not 100% tested.

**AC Characteristics** ( $T_A = -40^{\circ}\text{C}$  to  $+85^{\circ}\text{C}$ ,  $V_{CC\_S} = 2.7\text{V}$  to  $3.6\text{V}$ )

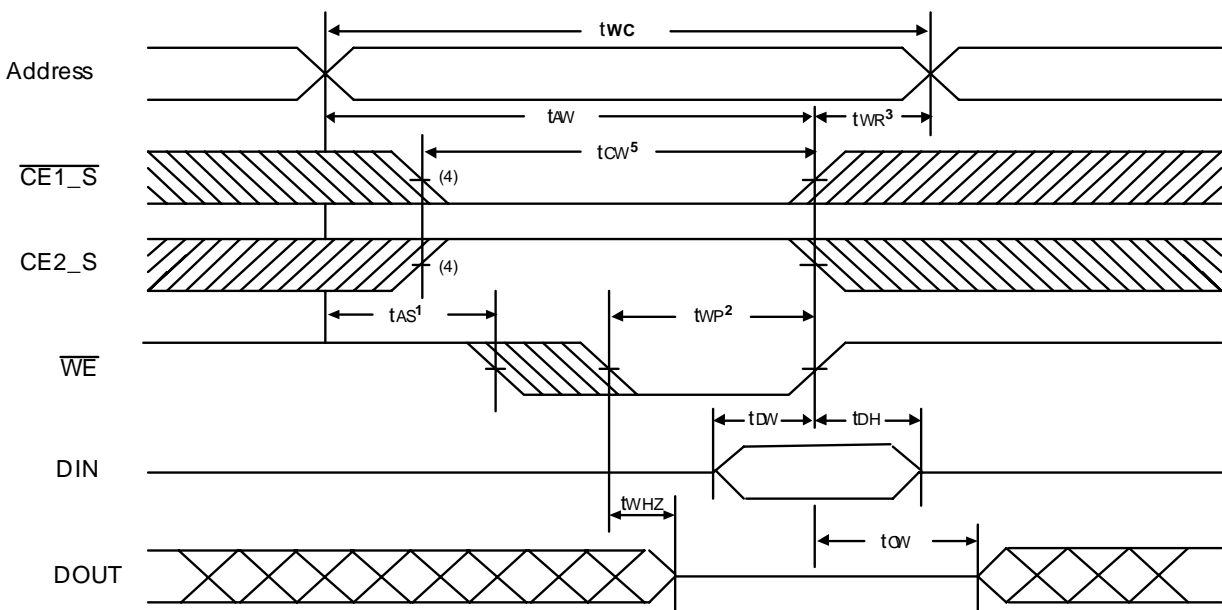
Symbol	Parameter	-70 ns		Unit	
		Min.	Max.		
Read Cycle					
t <sub>RC</sub>	Read Cycle Time	70	-	ns	
t <sub>AA</sub>	Address Access Time	-	70	ns	
t <sub>ACE1</sub>	Chip Enable Access Time	$\overline{\text{CE1\_S}}$	-	70	ns
t <sub>ACE2</sub>		CE2_S	-	70	ns
t <sub>OE</sub>	Output Enable to Output Valid	-	35	ns	
t <sub>CLZ1</sub>	Chip Enable to Output in Low Z	$\overline{\text{CE1\_S}}$	10	-	ns
t <sub>CLZ2</sub>		CE2_S	10	-	ns
t <sub>OLZ</sub>	Output Enable to Output in Low Z	5	-	ns	
t <sub>CHZ1</sub>	Chip Disable to Output in High Z	$\overline{\text{CE1\_S}}$	0	25	ns
t <sub>CHZ2</sub>		CE2_S	0	25	ns
t <sub>OHZ</sub>	Output Disable to Output in High Z	0	25	ns	
t <sub>OH</sub>	Output Hold from Address Change	10	-	ns	
Write Cycle					
t <sub>WC</sub>	Write Cycle Time	70	-	ns	
t <sub>CW</sub>	Chip Enable to End of Write	60	-	ns	
t <sub>AS</sub>	Address Setup Time	0	-	ns	
t <sub>AW</sub>	Address Valid to End of Write	60	-	ns	
t <sub>WP</sub>	Write Pulse Width	50	-	ns	
t <sub>WR</sub>	Write Recovery Time	0	-	ns	
t <sub>WHZ</sub>	Write to Output in High Z	0	25	ns	
t <sub>DW</sub>	Data to Write Time Overlap	30	-	ns	
t <sub>DH</sub>	Data Hold from Write Time	0	-	ns	
t <sub>OW</sub>	Output Active from End of Write	5	-	ns	

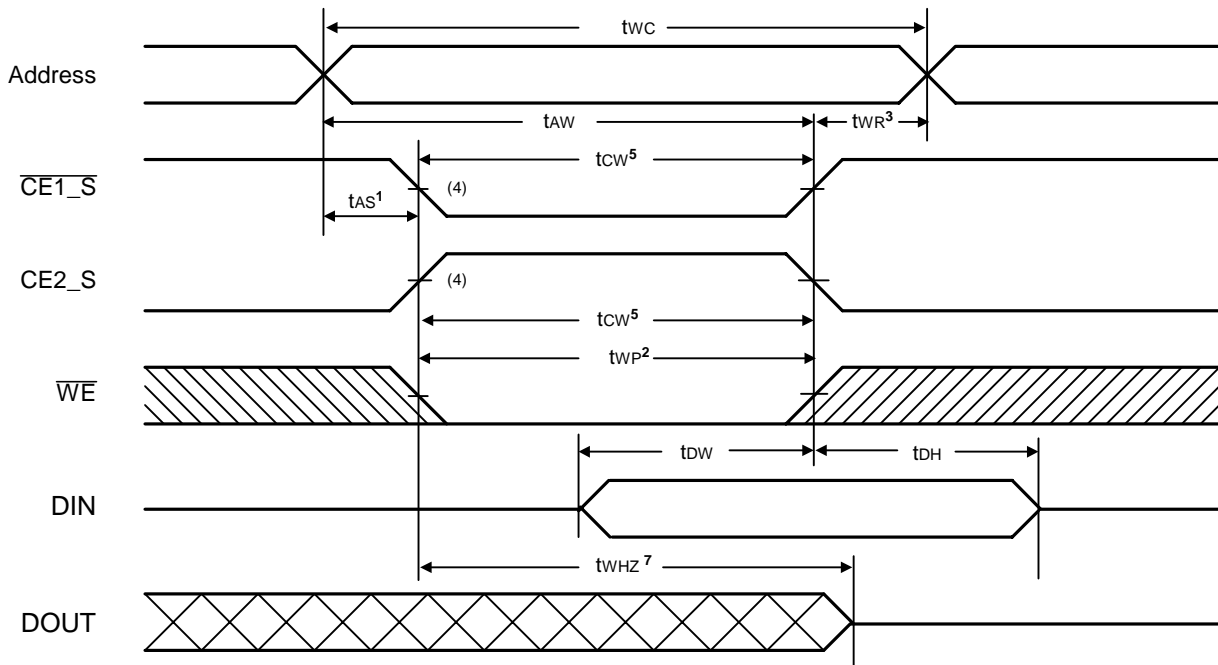
Notes: t<sub>CHZ1</sub>, t<sub>CHZ2</sub>, t<sub>OHZ</sub>, and t<sub>WHZ</sub> are defined as the time at which the outputs achieve the open circuit condition and are not referred to output voltage levels.

**Timing Waveforms**
**Read Cycle 1<sup>(1, 2, 4)</sup>**

**Read Cycle 2<sup>(1, 3, 4, 6)</sup>**

**Read Cycle 3<sup>(1, 4, 7, 8)</sup>**


**Timing Waveforms (continued)**
**Read Cycle 4 <sup>(1)</sup>**


- Notes:
1.  $\overline{WE}$  is high for Read Cycle.
  2. Device is continuously enabled  $\overline{CE1\_S} = V_{IL}$  and  $CE2\_S = V_{IH}$ .
  3. Address valid prior to or coincident with  $\overline{CE1\_S}$  transition low.
  4.  $\overline{OE} = V_{IL}$ .
  5. Transition is measured  $\pm 500\text{mV}$  from steady state. This parameter is sampled and not 100% tested.
  6.  $CE2\_S$  is high.
  7.  $CE1\_S$  is low.
  8. Address valid prior to or coincident with  $CE2\_S$  transition high.

**Write Cycle 1 <sup>(6)</sup>**  
**(Write Enable Controlled)**


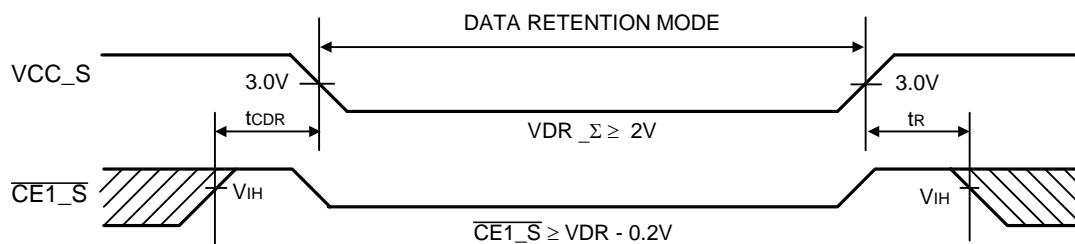
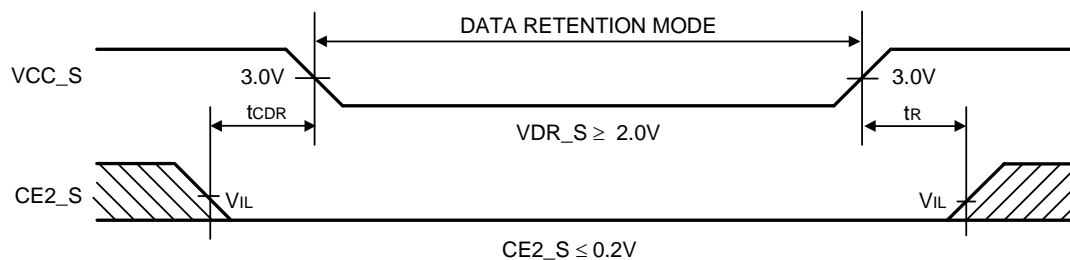
**Timing Waveforms (continued)**
**Write Cycle 2  
(Chip Enable Controlled)**


- Notes:
1.  $t_{AS1}$  is measured from the address valid to the beginning of Write.
  2. A Write occurs during the overlap ( $t_{WP}^2$ ) of a low  $\overline{CE1\_S}$ , a high  $CE2\_S$  and a low  $\overline{WE}$ .
  3.  $t_{WR}^3$  is measured from the earliest of  $\overline{CE1\_S}$  or  $\overline{WE}$  going high or  $CE2\_S$  going low to the end of the Write cycle.
  4. If the  $\overline{CE1\_S}$  low transition or the  $CE2\_S$  high transition occurs simultaneously with the  $\overline{WE}$  low transition or after the  $\overline{WE}$  transition, outputs remain in a high impedance state.
  5.  $t_{CW}^5$  is measured from the later of  $\overline{CE1\_S}$  going low or  $CE2\_S$  going high to the end of Write.
  6.  $\overline{OE}$  is continuously low. ( $\overline{OE} = V_{IL}$ )
  7. Transition is measured  $\pm 500\text{mV}$  from steady state. This parameter is sampled and not 100% tested.

**SRAM**
**Data Retention Characteristics** ( $T_A = -40^{\circ}\text{C}$  to  $85^{\circ}\text{C}$ )

Symbol	Parameter	Min.	Max.	Unit	Conditions
$V_{DR1}$	VCC for Data Retention	2.0	3.6	V	$\overline{\text{CE1\_S}} \geq V_{CC} - 0.2\text{V}$
$V_{DR2}$		2.0	3.6	V	$\text{CE2\_S} \leq 0.2\text{V}$ ,
$I_{CCDR1\_S}$	Data Retention Current	-	1*	$\mu\text{A}$	$V_{CC\_S} = 2\text{V}$ , $\overline{\text{CE1\_S}} \geq V_{CC\_S} - 0.2\text{V}$ , $V_{IN} \geq 0\text{V}$
$I_{CCDR2\_S}$		-	1*	$\mu\text{A}$	$V_{CC\_S} = 2\text{V}$ , $\text{CE2\_S} \leq 0.2\text{V}$ , $V_{IN} \geq 0\text{V}$
$t_{CDR}$	Chip Disable to Data Retention Time	0	-	ns	See Retention Waveform
$t_R$	Operation Recovery Time	5	-	ms	

\*  $I_{CCDR\_S}$ : max.  $1\mu\text{A}$  at  $T_A = 0^{\circ}\text{C}$  to  $+40^{\circ}\text{C}$

**Low VCC\_S Data Retention Waveform (1) ( $\overline{\text{CE1\_S}}$  Controlled)**

**Low VCC Data Retention Waveform (2) ( $\text{CE2\_S}$  Controlled)**




**ERASE AND PROGRAMMING PERFORMANCE**

Parameter		Typ. (Note 1)	Max. (Note 2)	Unit	Comments
Sector Erase Time		0.7	15	sec	Excludes 00h programming prior to erasure (Note 4)
Chip Erase Time		27		sec	
Byte Programming Time		5	150	μs	Excludes system-level overhead (Note 5)
Word Programming Time		7	210	μs	
Accelerated Word/Byte Programming Time		4	120	μs	
Chip Programming Time (Note 3)	Byte Mode	9	27	sec	
	Word Mode	6	18	sec	

**Notes:**

1. Typical program and erase times assume the following conditions: 25°C, 3.0V VCC\_F, 10,000 cycles. Additionally, programming typically assumes checkerboard pattern.
2. Under worst case conditions of 90°C, VCC\_F = 2.7V, 100,000 cycles.
3. The typical chip programming time is considerably less than the maximum chip programming time listed, since most bytes program faster than the maximum byte program time listed.
4. In the pre-programming step of the Embedded Erase algorithm, all bytes are programmed to 00h before erasure.
5. System-level overhead is the time required to execute the four-bus-cycle command sequence for programming. See Table 12 for further information on command definitions.
6. The device has a minimum erase and program cycle endurance of 10,000 cycles.

**FLASH LATCH-UP CHARACTERISTICS**

Description	Min.	Max.
Input Voltage with respect to VSS on all I/O pins	-1.0V	VCC_F+1.0V
VCC_F Current	-100 mA	+100 mA
Input voltage with respect to VSS on all pins except I/O pins (including A9, $\overline{OE}$ and $\overline{RESET}$ )	-1.0V	12.5V

Includes all pins except VCC\_F. Test conditions: VCC\_F = 3.0V, one pin at time.

**DATA RETENTION**

Parameter	Test Conditions	Min	Unit
Minimum Pattern Data Retention Time	150°C	10	Years
	125°C	20	Years

**Ordering Information**
**Top Boot Sector Flash & SRAM**

Part No.	Access Time (ns)	Bank 1	Bank 2	Package
A82DL3224TG-70	70	4M	28M	69-ball TFBGA
A82DL3224TG-70F				69-ball Pb-Free TFBGA
A82DL3224TG-70I				69-ball TFBGA
A82DL3224TG-70IF				69-ball Pb-Free TFBGA
A82DL3224TG-70U				69-ball TFBGA
A82DL3224TG-70UF				69-ball Pb-Free TFBGA
A82DL3234TG-70	70	8M	24M	69-ball TFBGA
A82DL3234TG-70F				69-ball Pb-Free TFBGA
A82DL3234TG-70I				69-ball TFBGA
A82DL3234TG-70IF				69-ball Pb-Free TFBGA
A82DL3234TG-70U				69-ball TFBGA
A82DL3234TG-70UF				69-ball Pb-Free TFBGA
A82DL3244TG-70	70	16M	16M	69-ball TFBGA
A82DL3244TG-70F				69-ball Pb-Free TFBGA
A82DL3244TG-70I				69-ball TFBGA
A82DL3244TG-70IF				69-ball Pb-Free TFBGA
A82DL3244TG-70U				69-ball TFBGA
A82DL3244TG-70UF				69-ball Pb-Free TFBGA

Note: Industrial operating temperature range: -40°C to 85°C for -U; -25°C to 85°C for -I

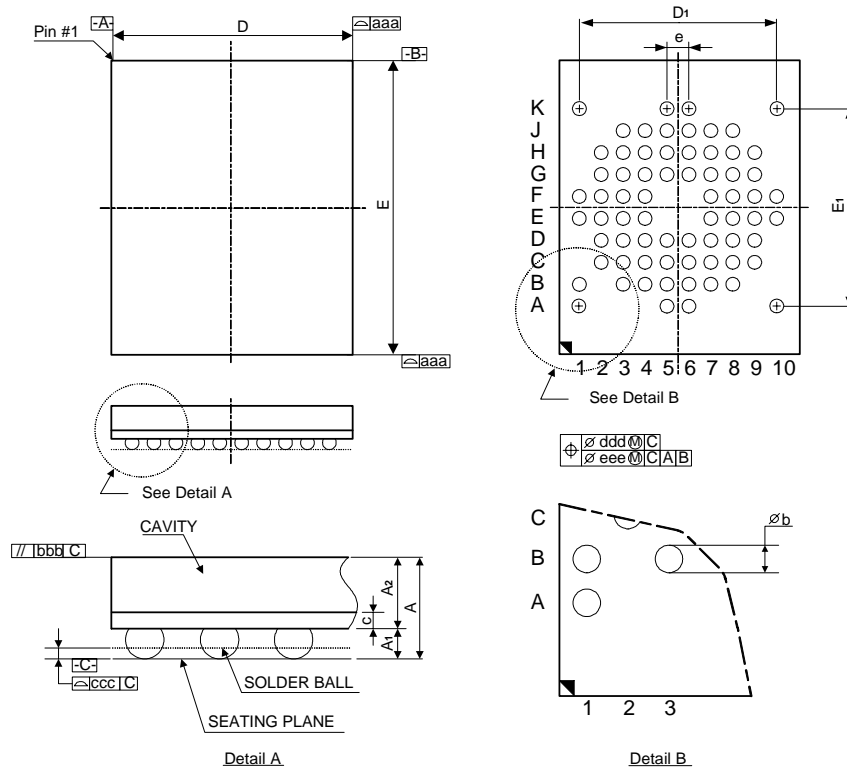
**Bottom Boot Sector Flash & SRAM**

Part No.	Access Time (ns)	Bank 1	Bank 2	Package
A82DL3224UG-70	70	4M	28M	69-ball TFBGA
A82DL3224UG-70F				69-ball Pb-Free TFBGA
A82DL3224UG-70I				69-ball TFBGA
A82DL3224UG-70IF				69-ball Pb-Free TFBGA
A82DL3224UG-70U				69-ball TFBGA
A82DL3224UG-70UF				69-ball Pb-Free TFBGA
A82DL3234UG-70	70	8M	24M	69-ball TFBGA
A82DL3234UG-70F				69-ball Pb-Free TFBGA
A82DL3234UG-70I				69-ball TFBGA
A82DL3234UG-70IF				69-ball Pb-Free TFBGA
A82DL3234UG-70U				69-ball TFBGA
A82DL3234UG-70UF				69-ball Pb-Free TFBGA
A82DL3244UG-70	70	16M	16M	69-ball TFBGA
A82DL3244UG-70F				69-ball Pb-Free TFBGA
A82DL3244UG-70I				69-ball TFBGA
A82DL3244UG-70IF				69-ball Pb-Free TFBGA
A82DL3244UG-70U				69-ball TFBGA
A82DL3244UG-70UF				69-ball Pb-Free TFBGA

Note: Industrial operating temperature range: -40°C to 85°C for -U; -25°C to 85°C for -I

**Package Information**
**69LD STF BGA (8 x 11mm) Outline Dimensions**

unit: mm



Symbol	Dimensions in mm			Dimensions in inches		
	Min	Nom	Max	Min	Nom	Max
A	-	-	1.40	-	-	0.055
A1	0.25	0.30	0.35	0.010	0.012	0.014
A2	0.91	0.96	1.01	0.036	0.038	0.040
c	0.22	0.26	0.30	0.009	0.010	0.012
D	7.90	8.00	8.10	0.311	0.315	0.319
E	10.90	11.00	11.10	0.429	0.433	0.437
D1	-	7.20	-	-	0.283	-
E1	-	7.20	-	-	0.283	-
e	-	0.80	-	-	0.031	-
b	0.35	0.40	0.45	0.14	0.16	0.18
aaa	0.15			0.006		
bbb	0.20			0.008		
ccc	0.12			0.005		
ddd	0.15			0.006		
eee	0.08			0.003		
MD/ME	10/10			10/10		

**Notes:**

1. PRIMARY DATUM C AND SEATING PLANE ARE DEFINED BY THE SPHERICAL CROWNS OF THE SOLDER BALLS.
2. DIMENSION b IS MEASURED AT THE MAXIMUM SOLDER BALL DIAMETER, PARALLEL TO PRIMARY DATUM C.
3. THERE SHALL BE A MINIMUM CLEARANCE OF 0.25mm BETWEEN THE EDGE OF THE SOLDER BALL AND THE BODY EDGE.
4. REFERENCE DOCUMENT: JEDEC MO-219
5. THE PATTERN OF PIN 1 FIDUCIAL IS FOR REFERENCE ONLY.