

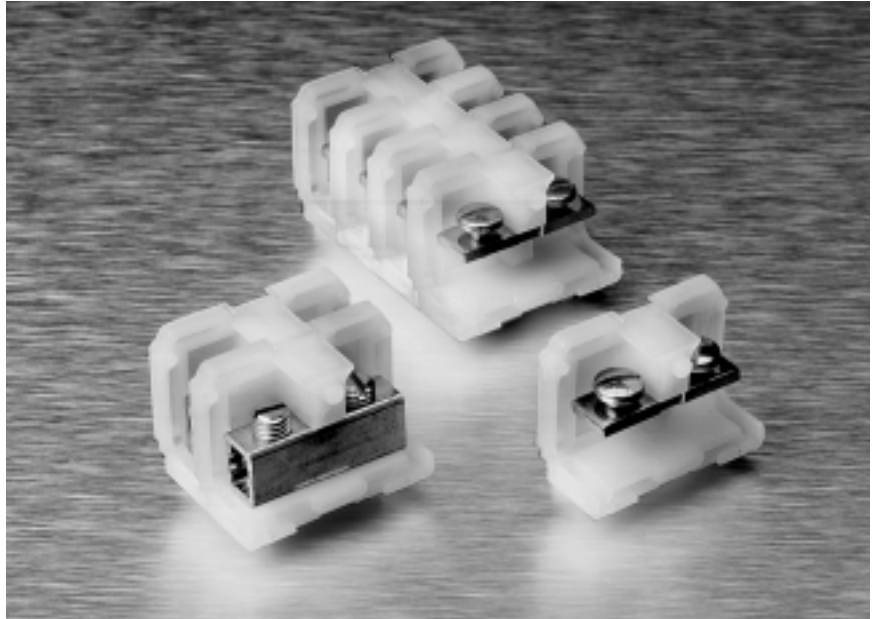
DESCRIPTION/APPLICATION

This compact, heavy duty block line accepts single or combination wires up to #4 AWG, solid or stranded. The compact design allows at least 138 circuits per six foot length to be mounted. The pitch of this 600 volt block is 0.50" (center spacing).

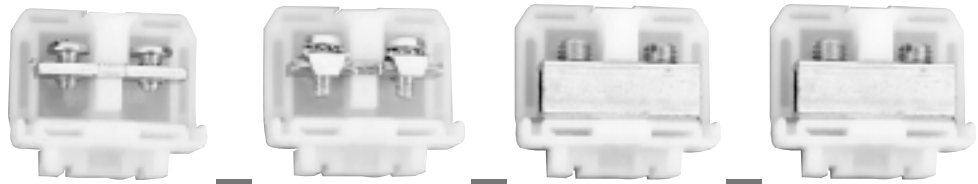
DESIGN ADVANTAGES





- Choose from 5 different contact styles.
- 600 volt UL and NEMA rating.
- Conservatively rated from 50 to 90 amperes per circuit, depending on which contact style is selected.
- Choose any of three mounting methods — two way flat base models surface mount directly to the panel or snap-on miniature channel. Dovetail base models mount on standard channel.
- Packaged for rapid handling and assembly — snap-fit sections are packed 10 per carton.
- Only one end section needed per block assembly.
- Readily identify circuits — mark directly on block sections or use removable marking strip. Pre-printed strips are also available.

200 SERIES HEAVY DUTY



200 SERIES HEAVY DUTY 600 V, 0.50" PITCH



| CHARACTERISTICS | STRAP SCREW | STRAP CLAMP | TUBULAR SCREW | TUBULAR CLAMP |
|--------------------------------------|-----------------------------------------------------------------------------------|-----------------------------------------------------------------------------------|-------------------------------------------------------------------------------------|-------------------------------------------------------------------------------------|
| Type of Block | Model | Model | Model | Model |
| Direct Mount (Flat Base) | | | | |
| Nylon, Unpainted | 241 | 248 | 242 | 243 |
| Polypropylene | P241 | P248 | P242 | P243 |
| Channel Mount (Dovetail Base) | | | | |
| Nylon, Painted | 0241 | 0248 | 0242 | 0243 |
| Polypropylene | P0241 | P0248 | P0242 | P0243 |
| Contact Type |  |  |  |  |
| Specifications | | | | |
| Wire Range (AWG) Solid & Stranded | 22-10 | 18-8 | 18-4 | 18-6 |
| Wire Strip Length (in.) | — | 1/2 | 1/2 | 1/2 |
| Screw Type | 10-32 slotted binding head | 8-32 pan head | 1/4-28 slotted headless | 1/4-28 slotted headless |
| Ampacity | 35 A | 50 A | 85 A | 65 A |
| End Sections | | | | |
| Direct Mount, Nylon | 250 | 250 | 250 | 250 |
| Direct Mount, Polypropylene | P250 | P250 | P250 | P250 |
| Channel Mount, Nylon | 0250 | 0250 | 0250 | 0250 |
| Channel Mount, Polypropylene | P0250 | P0250 | P0250 | P0250 |

NOTE: Standard packaging is 40 pieces for contact and 25 pieces for end sections.

NOTES:

For factory assembled blocks, suffix catalog number with number of blocks desired. (Maximum number of flat base preassembled sections is 12).

Example: Ten tubular clamp, dovetail based sections, pre-assembled on channel = 024310

Example: Twelve polypropylene strap clamp flat base sections = P24812

For unpainted factory assembled blocks supplied with a removable marking strip add — 1 to catalog number.

For blocks with two or more different contact sections, imprinted marking strips, or special features, consult factory.

Available in special high temperature (70°C) polytherimide material. To order, suffix catalog number with letters "EHT."

Comparison (Type of Block)



Direct Mount
(Flat Base)



Channel Mount
(Dovetail Base)



LR25557 E63810



CORROSION RESISTANT STRAP SCREW CORROSION RESISTANT TUBULAR SCREW CORROSION RESISTANT TUBULAR CLAMP

| Model | Model | Model |
|---------------------------------------------|------------------------------------------|------------------------------------------|
| D241 | D242 | D243 |
| DP241 | DP242 | DP243 |
| D0241 | D0242 | D0243 |
| DP0241 | DP0242 | DP0243 |
| | | |
| 22-10 | 18-4 | 18-4 |
| — | 1/2 | 1/2 |
| 10-32 Nickel plated Slotted Binding Head | 1/4-28 Nickel plated Slotted Headless | 1/4-28 Nickel plated Slotted Headless |
| 35 A | 85 A | 65 A |
| 250 | 250 | 250 |
| P250 | P250 | P250 |
| 0250 | 0250 | 0250 |
| P0250 | P0250 | P0250 |

NOTE: Standard packaging is 40 pieces for contact and 25 pieces for end sections.

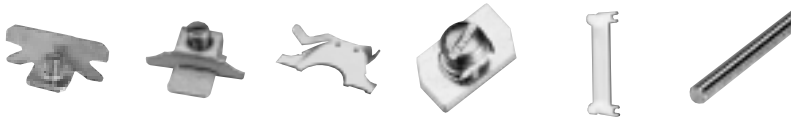
200 SERIES HEAVY DUTY ACCESSORIES

MOUNTING CHANNEL



| MINIATURE | STEEL CHANNEL | BREAK AWAY STEEL | PRE-PUNCHED ALUMINUM CHANNEL | ELEVATED ALUMINUM CHANNEL |
|-------------------------|------------------|------------------|------------------------------|---------------------------|
| Catalog Number | | | | |
| 12 | 60 63-BU | 60-B-36 | 64 67 | 60-SO |
| Standard Package | | | | |
| 3 feet | 6 feet 3 feet | 3 feet | 6 feet 3 feet | 6 feet |

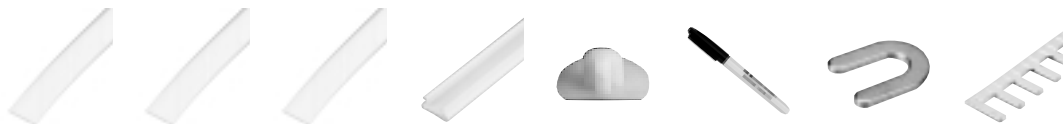
CHANNEL CLAMPS



| SCREW CHANNEL CLAMPS | UNIVERSAL CLAMPS | SNAP-IN CLAMPS | MINIATURE FOR #12 CHANNEL | SEE-THRU COVER | GANGING ROD |
|-------------------------|------------------|----------------|---------------------------|----------------|-------------|
| Catalog Number | | | | | |
| 61 | 68 | 62 | 11 | 23-BU | 30 |
| Standard Package | | | | | |
| 100 | 100 | 100 | 100 | 25 | 2 feet |

MARKING ACCESSORIES

JUMPERS



| PLASTIC CLOTH TAPE | PLASTIC CLOTH TAPE | VINYL MARKING STRIPS | ELEVATED MARKING STRIP | NYLON HOLDING PLUG | MARKING PEN | JUMPER FOR TUBULAR CONTACTS | SNAP-APART FOR TUBULAR CONTACTS |
|-------------------------|--------------------|----------------------|------------------------|--------------------|-------------|-----------------------------|---------------------------------|
| Catalog Number | | | | | | | |
| 56 | 55-BU | 50-BU | 52-BU | 65-BU | 99-BU | 42-BU | 75 |
| Standard Package | | | | | | | |
| 10 sheets | 50 feet | 25 feet | 18 inches | 100 | 12 | 100 | 12 ckt |

**200 SERIES
HEAVY DUTY
SPECIFICATIONS**

VOLTAGE RATING: Blocks meet 600 volt creepage and clearance requirements of NEMA, UL and CSA for general industrial control equipment and panelboards. Withstand voltages greatly in excess of IEEE switchgear standards for 750 volts.

AMPACITY: For a single #4AWG wire the maximum amperage recommended is 85 amps.

Standard Contacts:

MATERIAL: Electrical grade copper or copper alloy conductor. Steel Screws plated to resist corrosion in most industrial applications

AL-CU TUBULAR SCREW: Aluminum compatibility with aluminum or copper conductors. AL-CU is tinplated brass.

Environmental Contacts

(for highly corrosive atmospheres)

TUBULAR SCREW: Electrical grade copper tube with nickel plating. Nickel plated brass screws.

STRAP SCREW: Nickel plated brass straps and screws. Nickel plating exceeds specification QQ-N-290 Class I, Type VII.

Nylon Housing:

MATERIAL: Nylon; Unfilled Type 6/6

MAX. CONTINUOUS TEMPERATURE: 125°C (257°F)

BREAKDOWN VOLTAGE (AC, 60 Hz):

Contact to Contact: 7000V

Contact to Ground: 7800V

DIELECTRIC STRENGTH (RH40% AT SEA LEVEL):

470-385 Volts/mil thickness Per ASTM D149

UL HIGH VOLTAGE ARC TRACKING (INCHES/MIN.):

.01-.35

WATER ABSORPTION (24 HRS. % WT. GAIN): 1.5%

FLAMMABILITY: UL94V-2

CHEMICAL RESISTANCE: Resistant to aromatic hydrocarbons, strong alkalis Per ASTM D543

RADIATION RESISTANCE (ERGS G-1 (C)): 8 x 10⁷

COLOR: Translucent White

Polypropylene Housing:

MATERIAL: Polypropylene; Filled self-extinguishing

MAX. CONTINUOUS TEMPERATURE: 105°C (221°F)

BREAKDOWN VOLTAGE (AC, 60Hz):

Contact to Ground: 7800V

Contact to Contact: 7000V

DIELECTRIC STRENGTH (RH40% AT SEA LEVEL):

500 Volts/mil thickness Per ASTM D149

UL HIGH VOLTAGE ARC TRACKING (INCHES/MIN.):

Did not Track

WATER ABSORPTION (24 HRS. % WT. GAIN): 0.02%

Per ASTM D570

FLAMMABILITY: UL94V-0

CHEMICAL RESISTANCE: Resistant to most acids, alkalines, and saline solutions. Also resistant to higher aliphatic solvents and polar substances per ASTM D543

RADIATION RESISTANCE (ERGS G-1 (C)): No data Available

COLOR: Opaque White

**INDEPENDENT TESTING SERVICE
LISTING AND RECOGNITION**

WIRE SIZES, Solid or Stranded Tubular Screw

Tubular Screw

1 #4 AWG, 1 #6 AWG,

1 or 2 #8 AWG, 1 to 4 #10 AWG,

1 or 5 #12 AWG, 1 to 4 #14 AWG,

1 or 6 #16 AWG, 1 to 8 #18 AWG,

AL-CU Tubular Screw

1 #12 AL or CU, 1 #6 AL or CU,

1 or 2 #8 CU, 1 to 4 #10 CU,

1 or 5 #12 CU, 1 to 6 #14 CU,

1 or 6 #16 CU, 1 to 8 #18 CU,

Tubular Clamp

1 #6 AWG, 1 or 2 #8 AWG,

1 to 3 #10 AWG, 1 to 4 #12 AWG,

1 or 4 #14 AWG, 1 to 6 #16 AWG,

1 or 8 #18 AWG

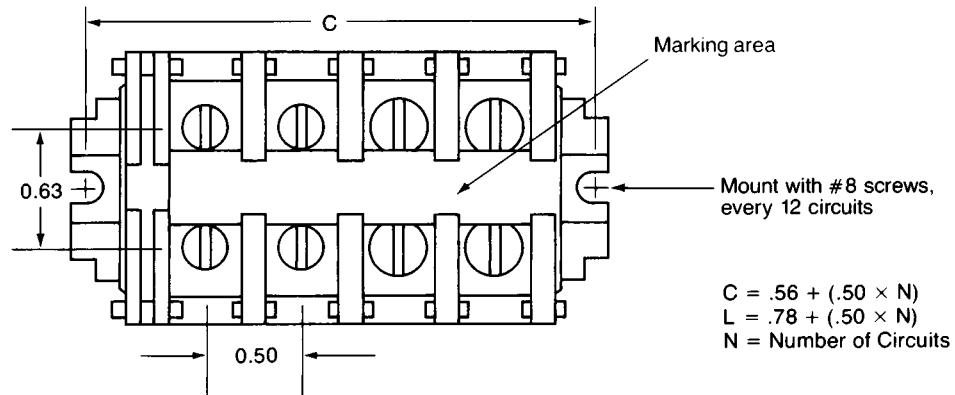
Strap Clamp

1 #18 to 1 #8 AWG



**200 SERIES
600 VOLT
DIRECT MOUNT**

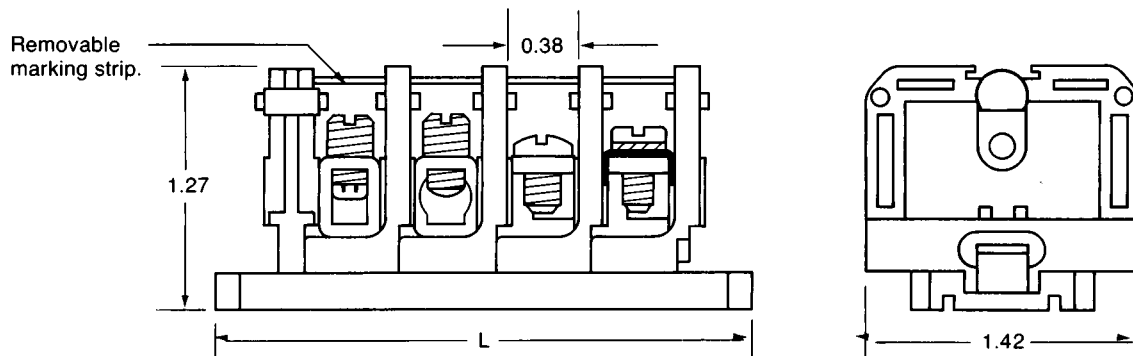
FLAT BASE



$$C = .56 + (.50 \times N)$$

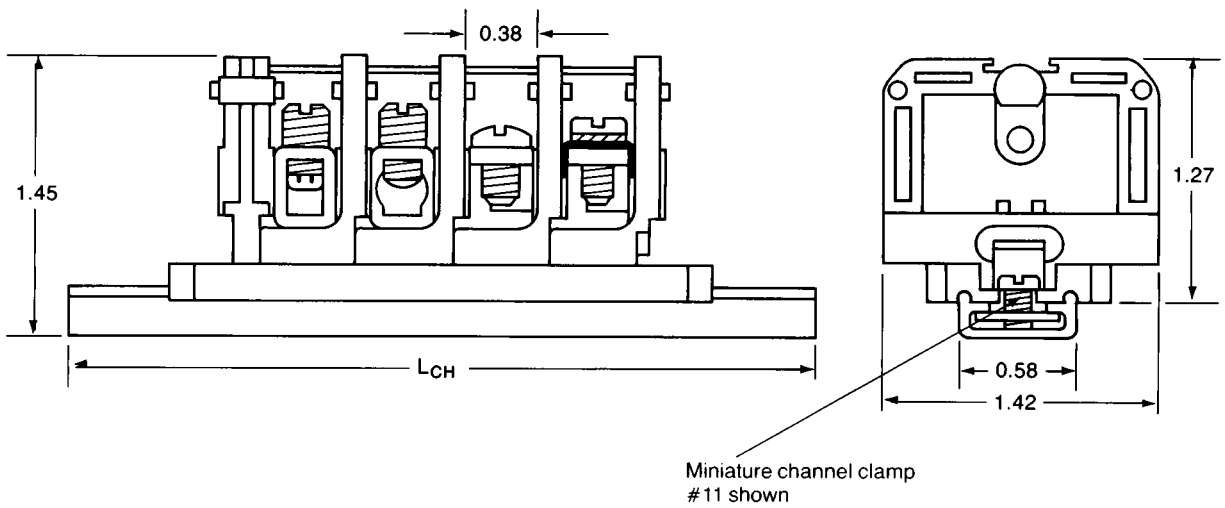
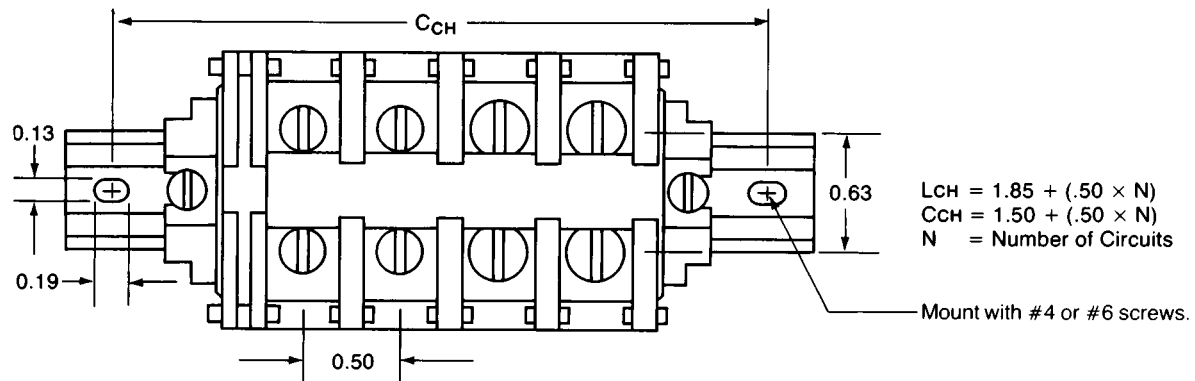
$$L = .78 + (.50 \times N)$$

N = Number of Circuits



**200 SERIES
600 VOLT
CHANNEL MOUNT**

FLAT BASE MOUNTED ON #12 MINIATURE CHANNEL



**200 SERIES
600 VOLT
CHANNEL MOUNT (STANDARD)**

DOVETAIL BASE MOUNTED ON STANDARD #60 CHANNEL

