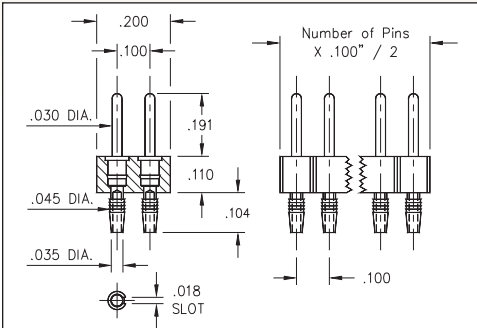
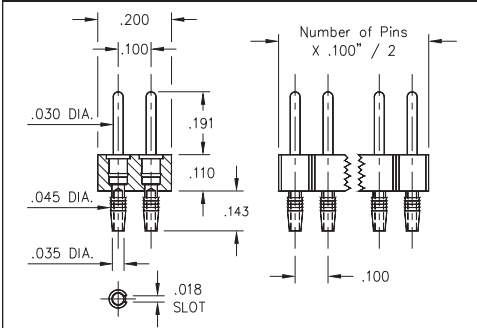


# INTERCONNECTS

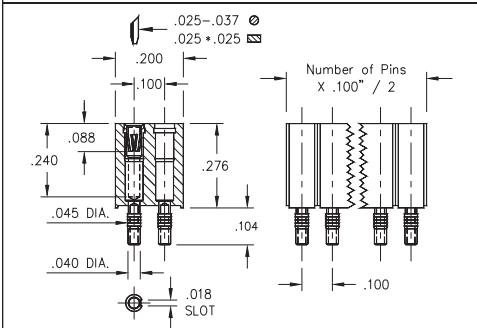
## SERIES 802 & 803 • .100" GRID (.030" DIA. PINS), SOLDERLESS PRESS-FIT • DOUBLE ROW STRIPS



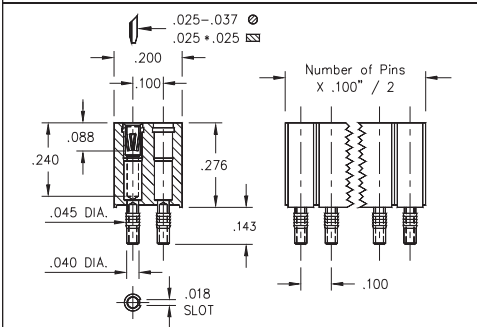
**FIG. 1**



**FIG. 2**

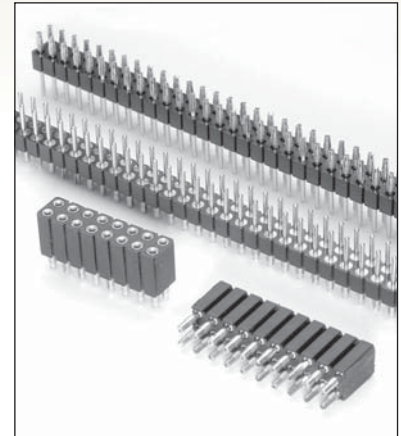


**FIG. 3**



**FIG. 4**

- The unique compliant tail pins conform to .040"±.003" finished hole without stressing inner layers. Patent No. 4,799,904
- Headers and sockets are available for board thicknesses of .060" - .100" and .090" - .130". See ordering information for details
- Series 802 pin headers use MM #5601 and #5602 compliant tail pins featuring a .030" dia. mating lead. See page 220 for details
- Series 803 sockets with MM #4614 or #4615 pins use Hi-Rel, 6-finger BeCu #47 contact rated at 4.5 amps. Receptacles accept .030" diameter pins & .025" square pins. See pg. 256 for details
- Insulators are high temperature thermoplastic



### ORDERING INFORMATION

<b>FIG. 1</b>	<b>Compliant Tail Pin Header for .060" - .100" Thick Boards</b>			
	802-XX-0__-61-001000 Specify number of pins    ↑    02-64			
<b>FIG. 2</b>	<b>Compliant Tail Pin Header for .090" - .130" Thick Boards</b>			
	802-XX-0__-62-001000 Specify number of pins    ↑    04-64			
<div style="display: flex; justify-content: space-around; align-items: center;"> <div style="border: 1px solid black; padding: 5px; background-color: #90EE90;">RoHS-2 2011/65/EU</div> <div style="border: 1px solid black; border-radius: 50%; padding: 5px;">XX=Plating Code See Below</div> <div style="border: 1px solid black; border-radius: 50%; padding: 5px;">For Electrical, Mechanical &amp; Environmental Data, See page 264</div> </div>				
<b>SPECIFY PLATING CODE XX=</b>				
Pin Plating  10  90 40				
10 μ" Au    200 μ" Sn/Pb    200 μ" Sn				
<b>FIG. 3</b>	<b>Compliant Tail Socket for .060" - .100" Thick Boards</b>			
	803-XX-__-61-001000 Specify number of pins    ↑    002-100			
<b>FIG. 4</b>	<b>Compliant Tail Socket for .090" - .130" Thick Boards</b>			
	803-XX-__-62-001000 Specify number of pins    ↑    004-100			
<div style="display: flex; justify-content: space-around; align-items: center;"> <div style="border: 1px solid black; padding: 5px; background-color: #90EE90;">RoHS-2 2011/65/EU</div> <div style="border: 1px solid black; border-radius: 50%; padding: 5px;">XX=Plating Code See Below</div> <div style="border: 1px solid black; border-radius: 50%; padding: 5px;">For Electrical, Mechanical &amp; Environmental Data, See page 264</div> </div>				
<b>SPECIFY PLATING CODE XX=</b>				
Sleeve (Pin)  10  13  91 93 99 41  43  44				
10 μ" Au    10 μ" Au    200 μ" Sn/Pb    200 μ" Sn/Pb    200 μ" Sn/Pb    200 μ" Sn    200 μ" Sn    200 μ" Sn				
Contact (Clip)  10  30  10  30  100  10  30  100				
10 μ" Au    30 μ" Au    10 μ" Au    30 μ" Au    100 μ" Sn/Pb    10 μ" Au    30 μ" Au    100 μ" Sn				



# Mouser Electronics

Authorized Distributor

Click to View Pricing, Inventory, Delivery & Lifecycle Information:

## Mill-Max:

[803-99-100-62-001000](#) [803-99-100-61-001000](#) [803-99-072-62-001000](#) [803-99-072-61-001000](#) [803-93-072-62-001000](#) [803-93-072-61-001000](#) [802-90-064-62-001000](#) [802-90-064-61-001000](#) [803-43-100-62-001000](#) [803-43-100-61-001000](#) [802-10-064-62-001000](#) [802-10-064-61-001000](#) [803-93-100-61-001000](#) [803-93-100-62-001000](#) [803-43-072-62-001000](#) [803-43-072-61-001000](#) [802-40-064-62-001000](#) [802-40-064-61-001000](#) [803-93-026-61-001000](#) [803-43-004-62-001000](#) [803-43-008-61-001000](#) [803-43-006-61-001000](#) [803-43-010-62-001000](#) [803-43-064-62-001000](#) [803-43-006-62-001000](#) [803-43-004-61-001000](#) [803-43-064-61-001000](#) [803-43-010-61-001000](#) [803-43-008-62-001000](#)