



Call for additional listings

- 3 settings at 12 VDC
- 6 settings at 24 VDC
- Strobe output selection view window
- Pre-wire back plate
- Universal back plate mounting (single gang, double gang, octagon, or 4" square)
- Single screw mounting
- Indoor or outdoor
- Anodized reflection for true light output
- UL and cUL listed

Patents pending

* Outdoor installation requires the BBK-1 #1500001, BBX-5R #4270048, or BBX-5W #4270049

The CSL-1224W Strobe Series provides a wide range of strobe light output options in a single device. The strobe output setting is displayed through the front window and is selectable using a drum wheel. The voltage input can be either regulated DC or full wave rectified (FWR) 12 volt or 24 volt with an operating range from 8 to 33V DC. The strobes can be synchronized using a control panel with the Potter (Amseco) sync protocol or a SMD10-3A sync module.

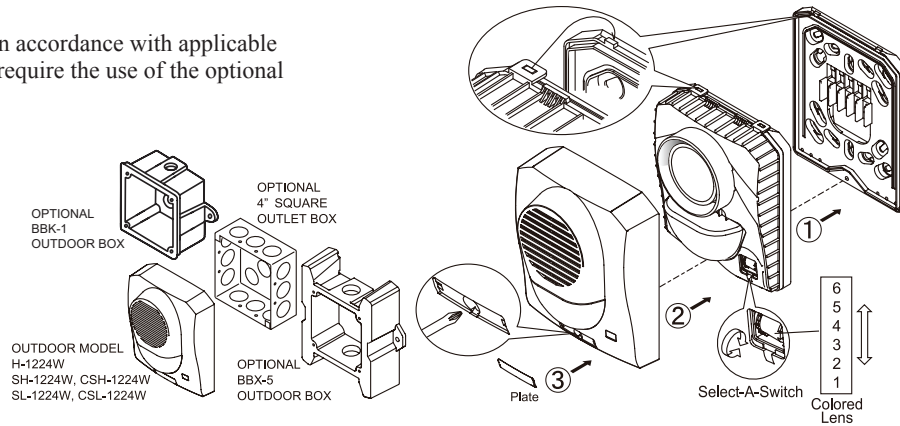
The CSL-1224W utilizes a universal mounting plate that will mount on a single gang, double gang, octagon and 4" square electrical boxes.

The back plate allows the installer to mount the plate and terminate the wire connections. The strobe attaches in a hinge fashion from the top and is secured by a single mounting screw that is concealed by a cover for a clean appearance. The strobe completely covers the mounting back plate, therefore it can be mounted before other trades work is completed and not affect the final look.

The Potter mass notification strobe is listed for indoor and outdoor installations. For outdoor installations, the device must be mounted on a matching BBX-5 or BBK-1 outdoor bell back box.

Installation

Note: Installation must comply in accordance with applicable standards. Outdoor installations require the use of the optional BBX-5 or BBK-1 bell back box.



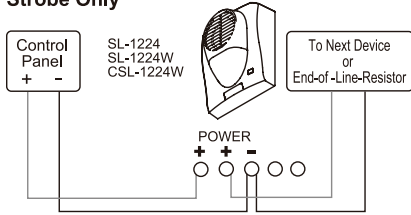
Ordering Information

Stock Number	Model Number	Body Color	Lens Color
4810051	CSL-1224W-AR	Red	Amber
4810052	CSL-1224W-AW	White	Amber
4810053	CSL-1224W-BR	Red	Blue
4810054	CSL-1224W-BW	White	Blue
4810055	CSL-1224W-GR	Red	Green
4810056	CSL-1224W-GW	White	Green
4810057	CSL-1224W-RR	Red	Red
4810058	CSL-1224W-RW	White	Red

Wiring Diagram

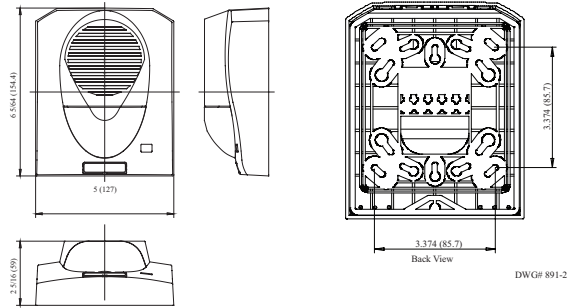
Wiring Observe Polarity Use both terminals (or Lead) for connection. Break wire run to provide electrical supervision.

Strobe Only

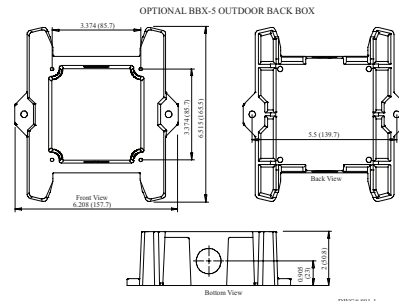


DWG# 8910002-1

Dimensions: inches (mm)



DWG# 891-2



DWG# 891-1

⚠ WARNING

High voltage may be present inside the light assembly even though power is not connected. If access to the component board is required (removal or replacement), the capacitor must be discharged by touching a wire to both ends of the flashtube.

DO NOT attempt to touch or move the assembly until the capacitor has been discharged.

Specifications

Strobe Current

Setting	Max. RMS Operating Current (mA RMS)			
	Reg. 12 VDC	Reg. 12 FWR	Reg. 24 VDC	Reg. 24 FWR
1	100	102	129	185
2	135	161	160	214
3	171	202	193	239
4	NA	NA	190	228
5	NA	NA	211	255
6	NA	NA	225	284

Note: All current draw shown is worst case.

Candela Output

Select-A-Switch	Light Output on Axis (cd)			
	Amber	Blue	Green	Red
1	14	10	13	7
2	37	20	39	17
3	49	28	50	18
4	69	41	77	28
5	83	51	94	35
6	99	58	109	38

Voltage	12/24V	
UL Designation	Regulated 12 DC/FWR	Regulated 24 DC/FWR
Operating Voltage Range	8 - 17.5V	16 - 33V
Flash Rate	60 times/min.	
Sync Module (SMD10-3A)	NA	Available
Operating Temperature Range	Indoor model: 32°F to 120°F (0°C to 49°C) Outdoor model: -40°F to 151°F (-40°C to 66°C)	

Engineering Specifications

The installer shall provide and install the Potter CSL-1224W selectable mass notification strobe. The strobe shall have six (6) selectable settings. The settings shall be selectable using a drum roller and shall display the setting on the front of the device. The strobe shall operate at 12 or 24 VDC regulated or full wave rectified (FWR) and have an operating range between 8 and 33 VDC. The strobes can be synchronized using a control panel with the Potter (Amseco) sync protocol or a SMD10-3A sync module. The strobe shall utilize a mounting plate that allows the installer to pre-wire the mounting plate. The mounting plate shall be universal and mount on a single

gang, double gang, octagon or 4 inch square box. The mounting plate shall be completely covered by the strobe and shall be secured by a single screw. The device shall be listed for indoor and outdoor applications. Outdoor installations shall require a matching BBX-5 or BBK-1 weatherproof bell back box. covered by the strobe and shall be secured by a single screw. Operating temperature range will be 32°F to 120°F (0°C to 49°C) for indoor installations and -40°F to 151°F (-40°C to 66°C) for outdoor installations. The strobe shall be UL listed to standard 1638. In addition, the strobes shall be cUL listed to CAN-ULC S526.

Mouser Electronics

Authorized Distributor

Click to View Pricing, Inventory, Delivery & Lifecycle Information:

[AMSECO:](#)

[4810054](#) [CSL-1224W-BW](#)