

## ACT711S

The ACT711S is an ultra thin, plastic moulded package with a maximum height of 1.4 mm. The package contains a highly reliable cylinder type quartz crystal and is ideally suitable for automatic insertion, especially where PCB component mounting space is at a premium.

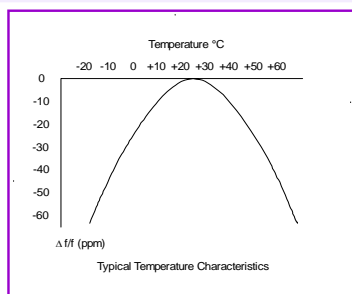
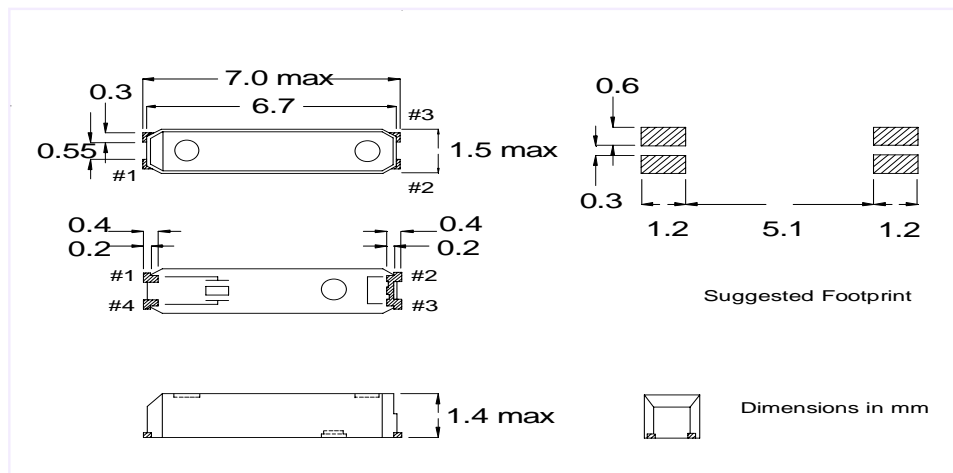
**Applications** include Wireless Communications Equipment, Pagers, PDAs, Cellular Phones, Portable applications, and a variety of clock sources.

Compatible with Eu Directive  
 2002/95/EC - RoHS  
 Contains Pb>85% high melting  
 point solder exempted from  
 Article 4(f) of the directive



### Specification

Parameter	Symbol	Specification
Frequency Range	fo	32.768KHz
Frequency Tolerance	$\Delta f/fo$	$\pm 20\text{ppm} / \pm 50\text{ppm}$
Frequency v Temperature @25°C	TC	See Drawing
Turnover Temperature	Tp	+25°C $\pm 5^\circ\text{C}$
Temp. Coefficient	K	$(-3.5 \pm 1.0) \times 10^{-8}/^\circ\text{C}^2$
Temp Operating Range	Topr	-40 ~ +85°C
Temp Storage Range	Tstg	-55 ~ +125°C
Equivalent Series Resistance	ESR	65K $\Omega$ max
Shunt Capacitance	C <sub>0</sub>	0.8pF typical
Load Capacitance	C <sub>L</sub>	7.0pF / 12.5pF
Drive Level	DL max	1.0 $\mu\text{W}$ ( 0.1 $\mu\text{W}$ Recommended )
Aging	Fa	$\pm 3\text{ppm}$ max 25°C $\pm 3^\circ\text{C}$ , First Year
Reflow Profile	Tsol	260°C max x 5 secs x 2 times (max IR reflow)



Pad Plating Material SnBi

Please note that all parameters can not necessarily be specified in the same device

Customer to specify : Frequency Tolerance, Load Capacitance

In line with our ongoing policy of product evolution and improvement, the above specification may be subject to change without notice

ISO9001:2000 Registered

For quotations or further information please contact us at:

3 The Business Centre, Molly Millars Lane, Wokingham, Berkshire, RG41 2EY, UK

<http://www.actcrystals.com>

Issue: 6 A3

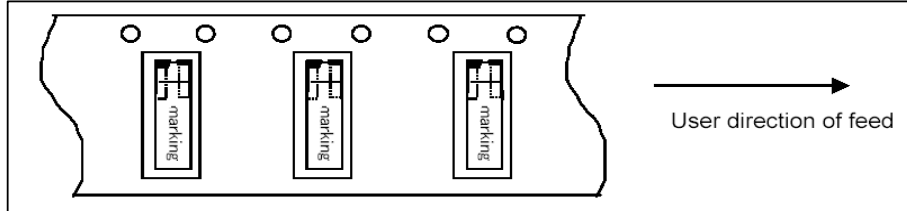
Date: 14/09/05

## ACT711S TAPE & REELING SPECIFICATION

Standard Reel Quantity 3.000

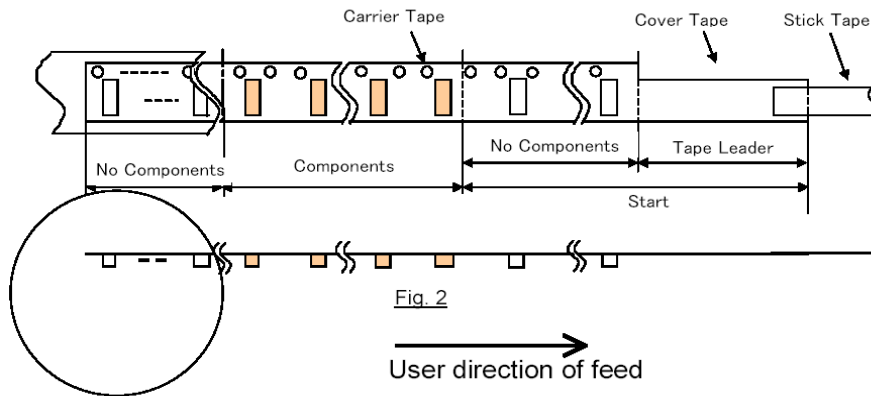
MATERIAL                      Tape                      A\_PET  
   Reel                      Cardboard

### ORIENTATION IN CARRIER TAPE

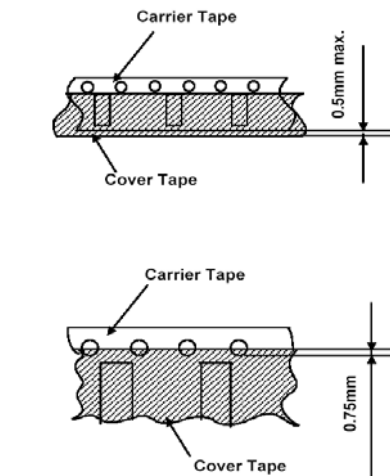


### LAYOUT OF TAPE

No Components                      20 Pockets Minimum  
Cover Tape Leader                      150mm Minimum  
Start of carrier tape bent vertically and hooked into reel slot.



### COVER TAPE OVERLAP



In line with our ongoing policy of product evolution and improvement, the above specification may be subject to change without notice

ISO9001:2000 Registered

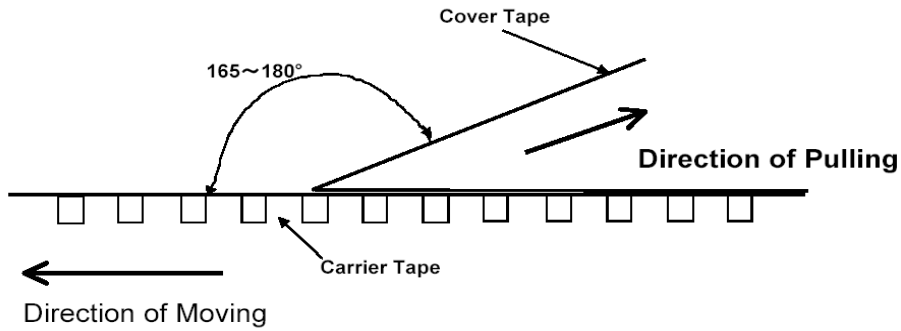
For quotations or further information please contact us at:  
3 The Business Centre, Molly Millars Lane, Wokingham, Berkshire, RG41 2EY, UK  
<http://www.actcrystals.com>

Issue: 6 A3  
Date: 14/09/05

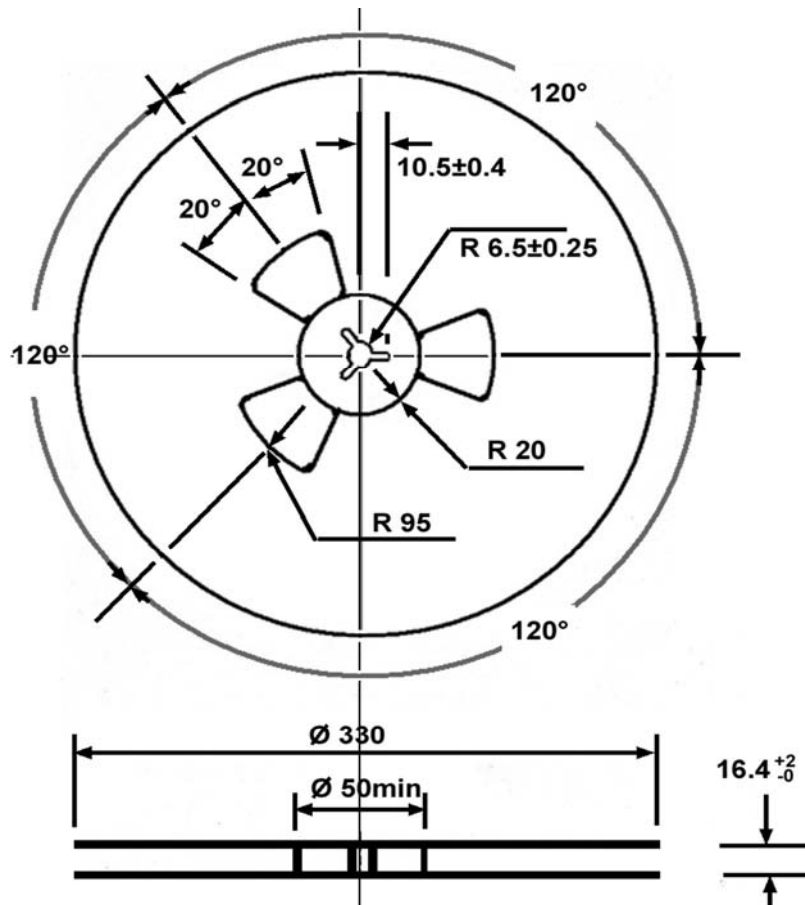
**ACT711S TAPE & REELING SPECIFICATION cont'd**

**PEEL STRENGTH**

Using method below the force to start the tape peeling with a pull speed of 300±10 mm/min shall be 0.1~1.3N.



**REEL DIMENSIONS (mm)**



In line with our ongoing policy of product evolution and improvement, the above specification may be subject to change without notice

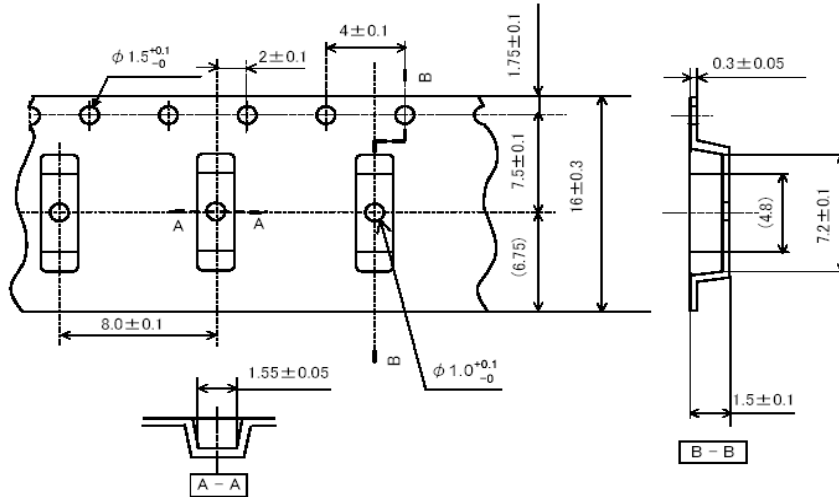
ISO9001:2000 Registered

For quotations or further information please contact us at:  
 3 The Business Centre, Molly Millars Lane, Wokingham, Berkshire, RG41 2EY, UK  
<http://www.actcrystals.com>

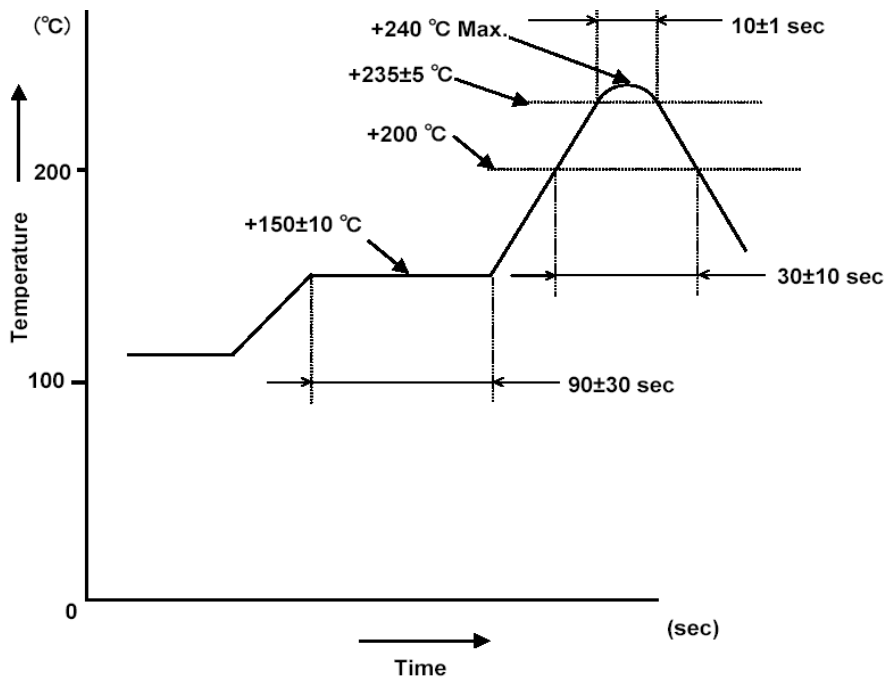
Issue: 6 A3  
 Date: 14/09/05

## ACT711S TAPE & REELING SPECIFICATION cont'd

### CARRIER TAPE DIMENSIONS (mm)



## ACT711S REFLOW SOLDERING PROFILE



Temperatures are PCB temperatures.

In line with our ongoing policy of product evolution and improvement, the above specification may be subject to change without notice

ISO9001:2000 Registered

For quotations or further information please contact us at:  
3 The Business Centre, Molly Millars Lane, Wokingham, Berkshire, RG41 2EY, UK  
<http://www.actcrystals.com>

Issue: 6 A3  
Date: 14/09/05