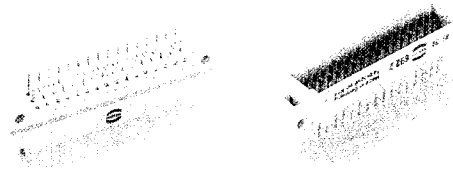


Number of contacts

48, 32, 16



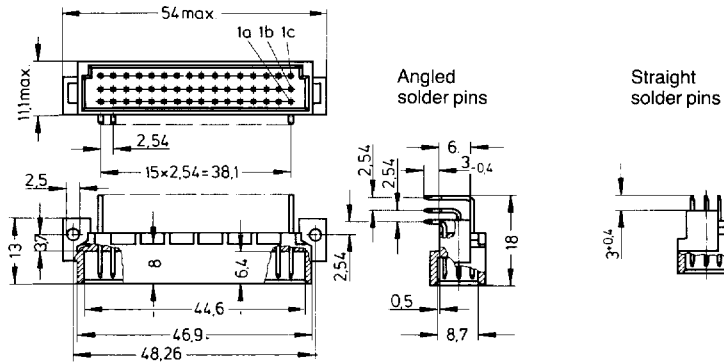
Male connectors

Identification	Number of contacts	Contact arrangement	Part No. Performance levels according to DIN 41 612, explanations page 10		
			3	2	1
Male connector with angled solder pins	48		09 23 148 7921	09 23 148 6921	09 23 148 2921*
	32		09 23 132 7921	09 23 132 6921	09 23 132 2921*
	16		09 23 116 7931	09 23 116 6931	09 23 116 2931*
	46 + 2 [▲]		09 23 148 7951	09 23 148 6951	09 23 148 2951*
Male connector with straight solder pins	48		09 23 148 7922	09 23 148 6922	09 23 148 2922*
	32		09 23 132 7922	09 23 132 6922	09 23 132 2922*
	16		09 23 116 7932	09 23 116 6932	09 23 116 2932*
	46 + 2 [▲]		09 23 148 7952	09 23 148 6952	09 23 148 2952*

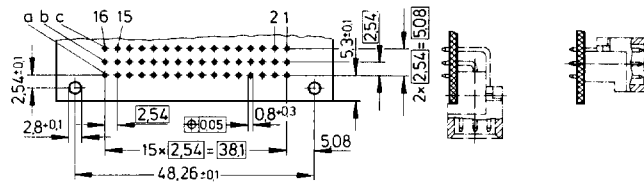
Male connector with angled press-in terminations

Part Nos. and versions see "har · press" catalogue

Dimensions



Board drillings



Dimensions in mm

▲ Male connectors with 2 first mating contacts [(0.8 mm) pos. a 1 and a 16]*
Male connectors with contacts in other positions/other rows on request

* Not normally kept in stock