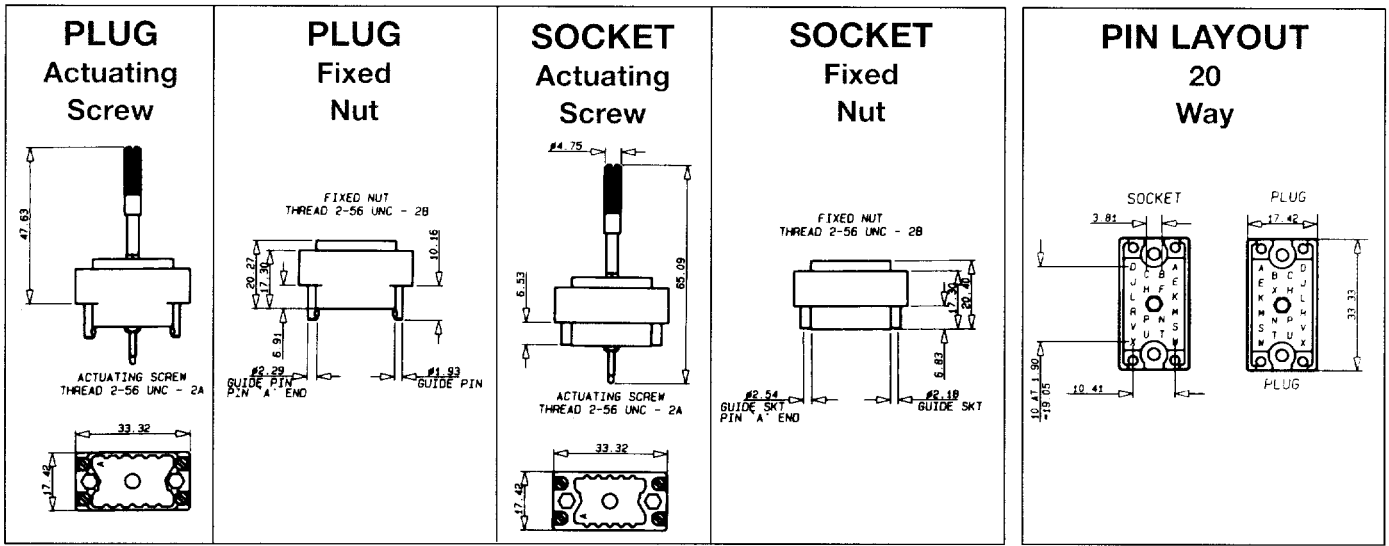


Series 8016 – Rectangular Connector – 20 Way



ORDERING CODE



Contact Termination

*000 = Contacts not fitted and ordered separately, see page 22 for full list of options

217 = Solder 0.098" x 2.49mm

218 = Wire Wrap –
0.025 x 0.050 x 0.567" / 0.64 x 1.27 x 14.4mm

296 = Wire Wrap –
0.025 x 0.026 x 0.579" / 0.64 x 1.27 x 19.3mm

504 = Solder Tail –

750 = Wire Wrap –
0.025 x 0.050 x 0.760" / 0.64 x 1.27 x 19.3mm

*Crimp contacts always ordered separately. See page 22 for details.

CONNECTOR PLUG AND RECEPTACLE COMBINATIONS

Plug	Receptacle																		
		007/507/607	008/508/608				909/509/609	910/510/610	911/511/611	912/512/612									
001/501/601																			
002/502/602																			
903/503/603																			
904/504/604																			
905/505/605																			
906/506/606																			

Select variation code combinations marked with square in the table.

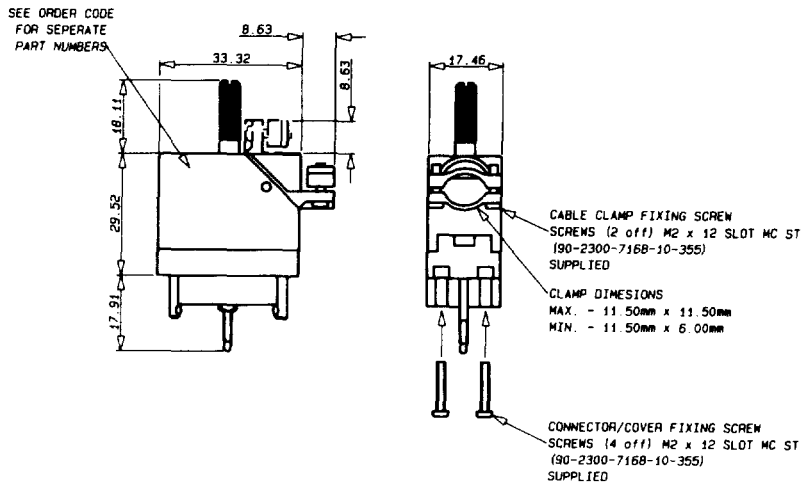
VARIATION CODE

Insulator Body Type	European Version		USA Versions				Cover and Cable Entrance	Actuating Screw	Fixed Nut
	Grey Polyester		Grey Polyester		Green Polyester				
	Aluminum Cover	No Cover	Cover	No Cover	Cover	No Cover			
Male (Exposed Contacts)	—	001	—	501	603	601	None	Yes	No
	903	002	—	502	604	602	None	No	Yes
	904	—	503	—	605	—	Top*	Yes	No
	905	—	504	—	606	—	Side*	Yes	No
	906	—	505	—	606	—	Top*	No	Yes
Female (Recessed Contacts)	—	007	—	507	—	607	None	No	Yes
	909	008	—	508	609	608	None	Yes	No
	910	—	509	—	610	—	Top*	Yes	No
	911	—	510	—	611	—	Side*	Yes	No
	912	—	511	—	612	—	Top*	No	Yes
	—	—	512	—	—	—	Side*	No	Yes

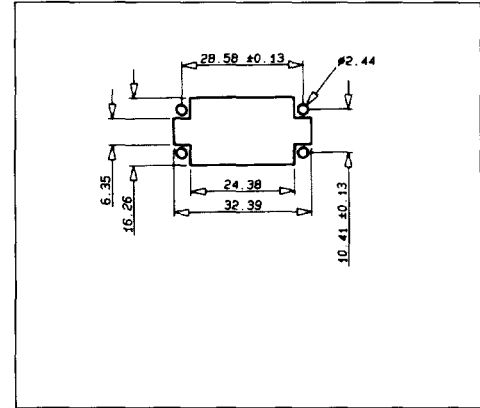
*These covers should only be used with crimp contacts.

Series 8016 – Rectangular Connector – 20 Way

CLAMPING AND COVER DIMENSIONS

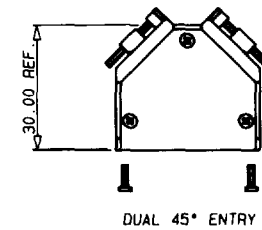
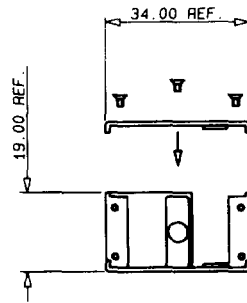
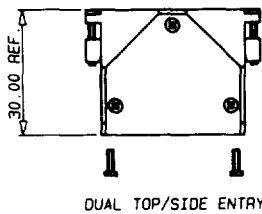
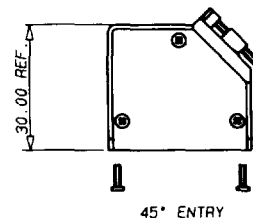
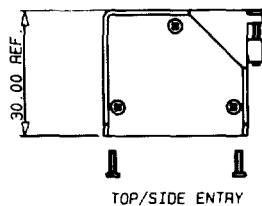


RECOMMENDED LAYOUT FOR FRONT CHASSIS MOUNTING



STANDARD COVERS

Cover Part Number		Number of Contacts	Cable Entrance	Clamp	
European Version	USA Version			Description	Size mm (inches)
30-8016-9829-20-000	30-8016-9829-00-0000	20	Side	Standard	11.53 (0.454) Dia.
30-8016-9831-20-000	30-8016-9831-00-0000	20	Top	Standard	11.53 (0.454) Dia.



REMOVABLE SIDE PLATE COVERS

millimeters (inches)

Cover Part Number	Number of Contacts	Cable Entrance	Clamp		
			Description	Minimum Size	Maximum Size
30-8016-020-000-413	20	Side/Top	Standard	5 x 10 (0.197 x 0.394)	10 x 10 (0.394 x 0.394)
30-8016-020-000-415	20	45°	Standard	5 x 10 (0.197 x 0.394)	10 x 10 (0.394 x 0.394)
30-8016-020-000-423	20	Dual 90° Side/Top	Special	2 - 5 x 10 (0.197 x 0.394)	2 - 10 x 10 (0.394 x 0.394)
30-8016-020-000-425	20	Dual 45° Entry	Special	2 - 5 x 10 (0.197 x 0.394)	2 - 10 x 10 (0.394 x 0.394)