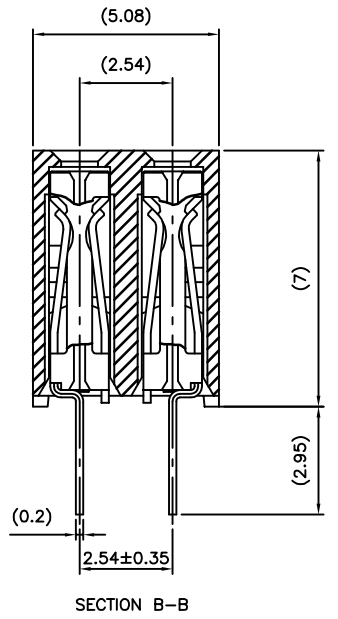
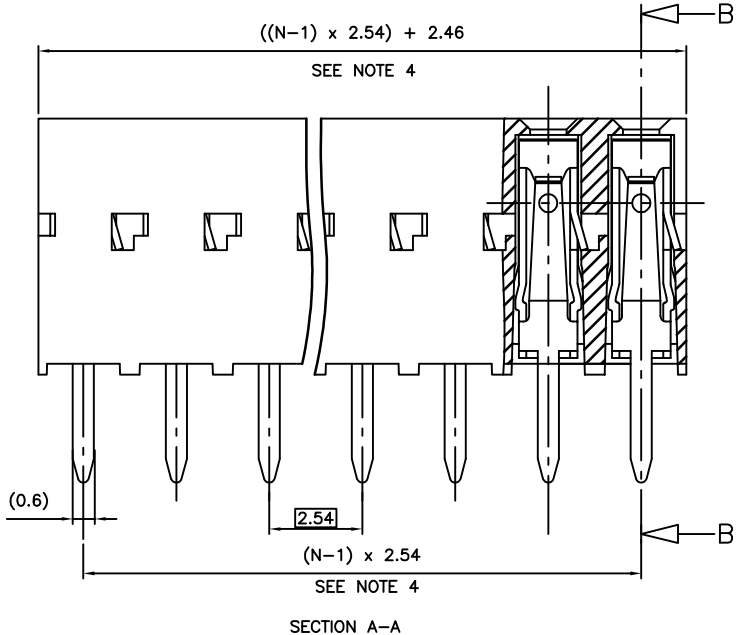
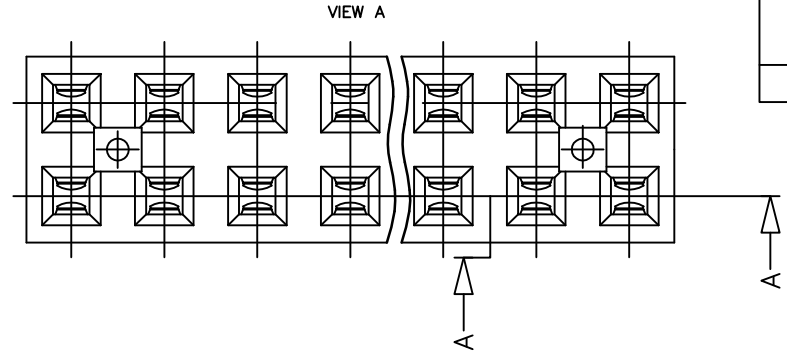
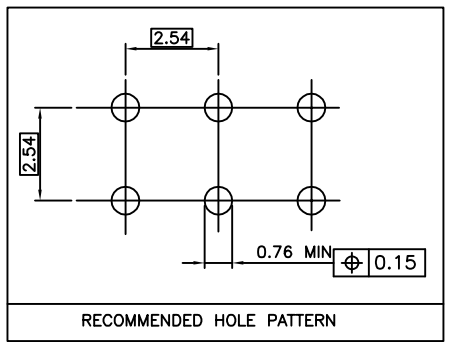


PRODUCT NUMBER	HOUSING NB OF POS	CONTACT PLACED IN CAVITY (TABLE ACCORDING VIEW A)																																	
		1	2	3	4	5	6	7	8	9	10	11	12	13	14	15	16	17	18	19	20	21	22	23	24	25	26	27	28	29	30	31	32		
71966-Y01(LF)	2 X 32	X	X	X	X						X	X	X	X	X	X	X	X	X	X	X	X	X	X	X	X	X	X	X	X	X	X	X	X	
71966-Y02(LF)	2 X 12	X	X	X	X	X	X	X	X	X	X																								
71966-Y03(LF)	2 X 17	X	X	X	X	X	X	X	X	X	X	X									X	X													
71966-Y04(LF)	2 X 17	X		X	X	X	X	X	X	X	X	X	X	X	X	X	X	X	X																
71966-Y05(LF)	2 X 17	X	X	X		X	X	X	X	X	X	X								X	X														
71966-Y06(LF)	2 X 14	X	X	X	X	X													X	X	X	X	X												



WHEN NEEDED, SUFFIX LETTER "LF" INDICATES THE PRODUCT IS RoHS COMPATIBLE, SEE NOTE 3

NOTES :

- 1 - MATERIAL HOUSING: THERMOPLASTIC POLYESTER 30% GLASS FILLED, COLOUR BLUE. FLAME RETARDANT PER UL-94 CATEGORY V0.
- 2 - MATERIAL TERMINAL: PHOSPHOR BRONZE EXTRA HARD.
- 3 - PRODUCT PACKAGED IN TUBES
- 4 - TO DETERMINE DIMENSIONS :
N = NUMBER OF POSITIONS PER ROW
EXAMPLE : 8 POS N x 2.54 = 20.32mm
- 5 - RoHS COMPATIBLE PRODUCT SPECIFICATIONS
 - a - PLATING:
 - "LF" MEANS THE PRODUCT IS LEAD-FREE, 2µm MINIMUM MATTE TIN OVER 1.27µm MINIMUM NICKEL UNDERPLATE.
 - b - MANUFACTURING PROCESS COMPATIBILITY
 - THE HOUSING WILL WITHSTAND EXPOSURE TO 260°C ±5°C SOLDER BATH TEMPERATURE FOR 5 SECONDS IN A WAVE SOLDER APPLICATION WITH A 1.6mm MIN THICK CIRCUIT BOARD.
 - c - LABELING:
 - MEETS PACKAGING SPECS AS PER GS-14-920
 - d - LEGAL STATEMENT: SEE GS-22-008

71966-4XXLF	5µm SnPb	Sn
71966-3XXLF	0.76 µm GOLD	Sn
71966-4XX	5µm SnPb	SnPb
71966-3XX	0.76 µm GOLD	SnPb
PLATING CODE	CONTACT AREA	SOLDER TAIL
	PLATING THICKNESS OVER 1.27µm Ni	

mat'l. code		surface	tolerance	projection	product family
SEE NOTES		ISO 1302	ISO 486 ISO 1101	mm	DX VCC DR
lfr	ecn no	dr	date	angles	linear
B	F80265	PNZ	96.04.02	±0.3	
C	F80327	PNZ	98.05.06	±2	
D	F04-0347	DLE	04.11.09	±2	
E	F06-0137	DLE	06.02.27	dr	P.NIZZI 96.04.02
F	F06-0204	DLE	06.06.20	engr	J.M.PHAMVAN 96.04.02
G	F07-027	LMU	07.12.06	chr	P.NIZZI 96.04.02
H	F10-0033	LMU	10.07.05	appd	J.M.P 96.04.02
sheet	revision	H			
index	sheet	1			

TOP ENTRY
SELECTED LOADED
dwg no 71966
sheet 1 of 1
size A2
type CUSTOMER Drawing