

KEEP OUT ZONE

UNGUIDED BACKPLANE HOLE PATTERN (CONNECTOR SIDE) SEE NOTE 8

SEE PART NUMBER CHART AND PART NUMBER LOGIC (18 HOLES PER COLUMN)

$\varnothing 0.10$

- NOTES:
- MATERIALS: HOUSING - LIQUID CRYSTAL POLYMER (LCP) GLASS-FILLED, UL94V-0
TERMINALS - HIGH PERFORMANCE COPPER ALLOY
 - FINISH: 30μ MIN GOLD IN CONTACT AREA.
SELECTIVE TIN ON PCB TAILS.
NICKEL OVERALL.
 - REFER TO MOLEX PRODUCT SPECIFICATION PS-TBD FOR PERFORMANCE SPECIFICATIONS AND ADDITIONAL PCB INFORMATION.
 - THIS PART CONFORMS TO CLASS B REQUIREMENTS OF MOLEX COSMETIC SPEC PS-45499-002.
 - PARTS PACKAGED PER PK-70873-7703.
 - MATES WITH IMPACT DC SERIES NO. 172374.
 - REFER TO MOLEX PCB ROUTING GUIDE AS-TBD FOR ANTIPAD AND ROUTING RECOMMENDATIONS.
 - *THESE DIMENSIONS REPRESENT THE AREA NEEDED TO ACCOMMODATE CONNECTOR INSERTION AND REPAIR ON THE PC BOARD. THIS IS REFERRED TO AS THE "CONNECTOR KEEP OUT ZONE" AND DOES NOT REPRESENT THE ACTUAL PERIMETER OF THE CONNECTOR. WHEN LAYING OUT A PC BOARD FOR CONNECTORS STACK TOGETHER, USE A 1.9mm PROGRESSION.*

PART NUMBER LOGIC

172375-****

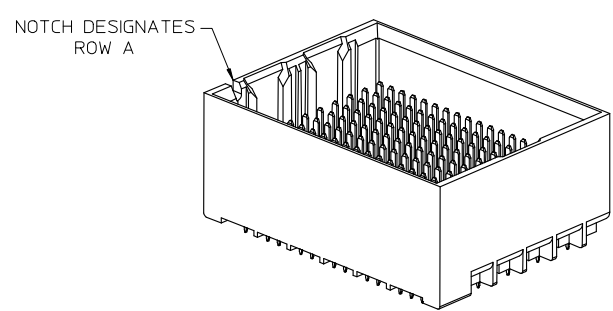
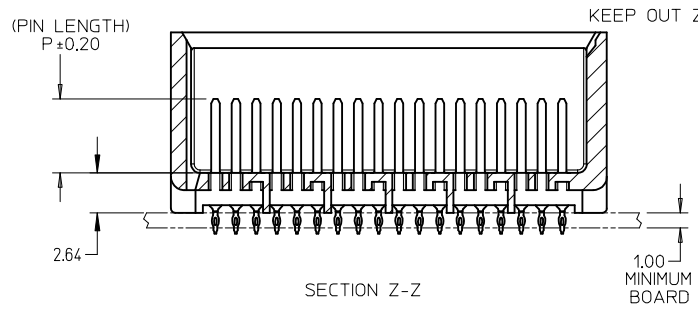
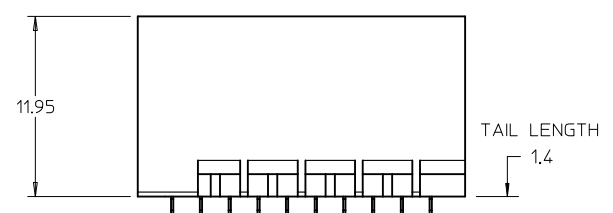
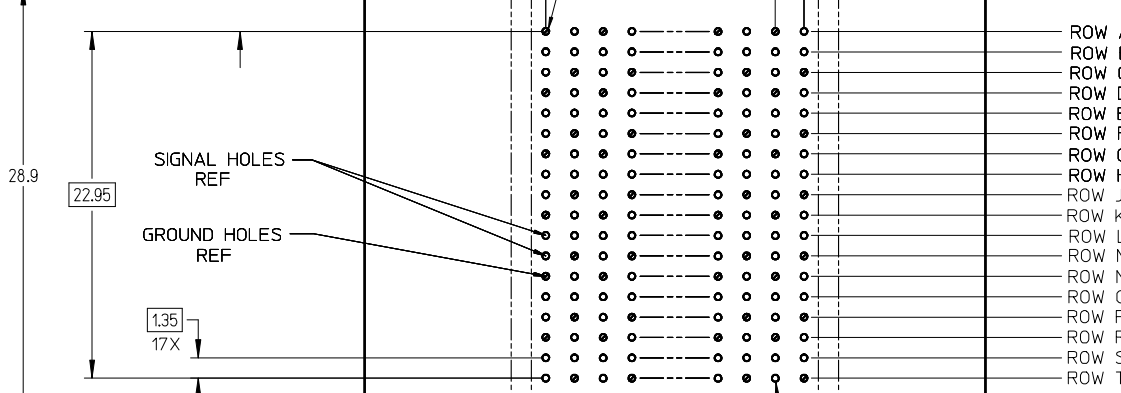
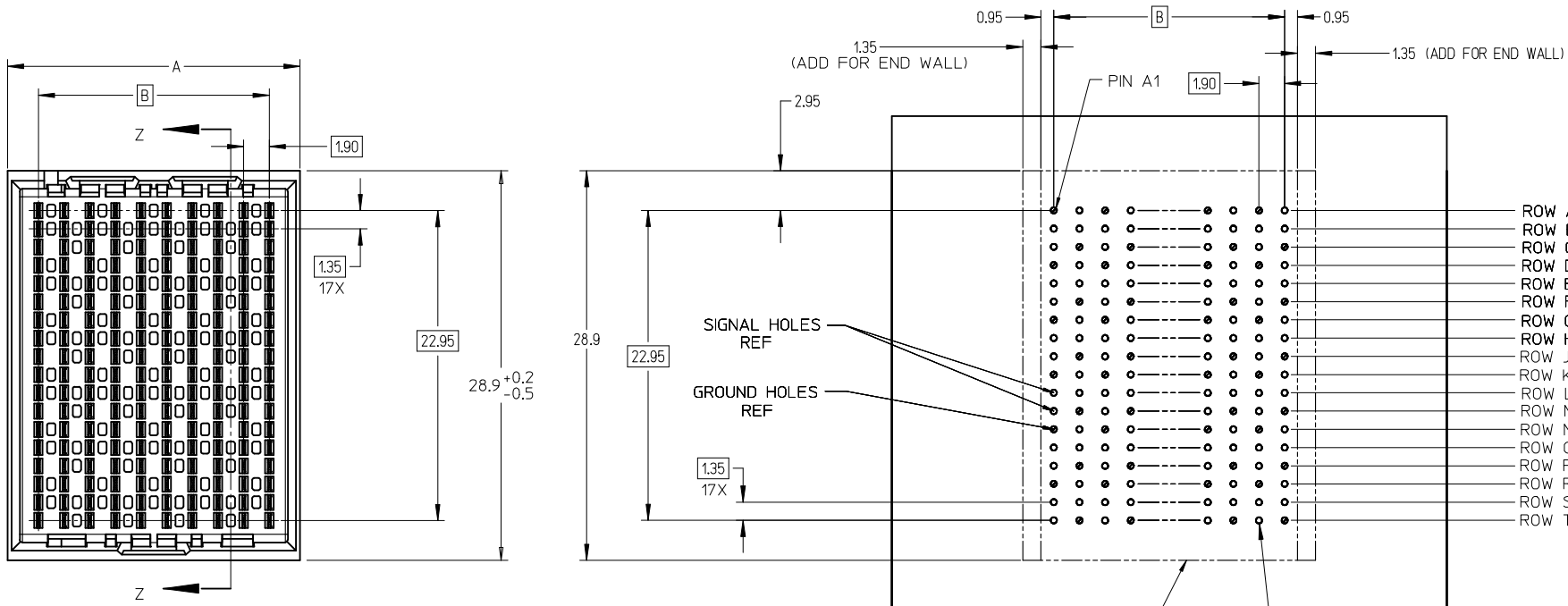
MODULE TYPE: 1 = UNGUIDED, TIN; 7 = 4.90 (SMALL COMPL. PIN 0.36±0.05 PTH)

OF COLUMNS: 7 = 14 COLUMN

END WALL OPTIONS: P=PIN LENGTH; 7 = 4.90 (SMALL COMPL. PIN 0.36±0.05 PTH); 0 = OPEN ENDS

MATERIAL NUMBER	# OF COLUMNS	# OF DIFF PAIR	DIM 'A'	DIM 'B'
172375-1707	14	84	26.5	24.70

X - RELEASED EC NO: UCP2013-4229 DRWN: JLONG 2014/01/17 CHKD: APPR: JLONG 2014/01/24 REV 1	QUALITY SYMBOLS	GENERAL TOLERANCES (UNLESS SPECIFIED)	DIMENSION STYLE MM ONLY	SCALE 4:1	DESIGN UNITS METRIC	THIRD ANGLE PROJECTION
	▽=0	4 PLACES ± mm INCH	DRAWN BY DATE MSANDBERG 2007/12/26	TITLE IMPACT ZX2 6 PAIR HEADER UNGUIDED ASSEMBLY SALES DRAWING		
	▽=0	3 PLACES ± 0.13 ±	CHECKED BY DATE JLONG 2014/01/17	DOCUMENT NO. SD-172375-0001		
	▽=0	1 PLACE ± 0.25 ±	APPROVED BY DATE JLAURX 2010/02/22	SHEET NO. 1 OF 1		
		0 PLACE ± ±	MATERIAL NO. SEE TABLE	THIS DRAWING CONTAINS INFORMATION THAT IS PROPRIETARY TO MOLEX INCORPORATED AND SHOULD NOT BE USED WITHOUT WRITTEN PERMISSION		
		ANGULAR ±1/2°				
		DRAFT WHERE APPLICABLE MUST REMAIN WITHIN DIMENSIONS				

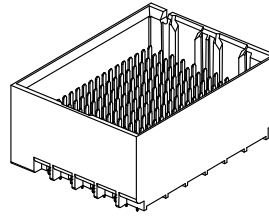


- NOTES:
1. MATERIALS: HOUSING - LIQUID CRYSTAL POLYMER (LCP)
GLASS-FILLED, UL94V-0
TERMINALS - HIGH PERFORMANCE COPPER ALLOY
 2. FINISH: 30μ MIN GOLD IN CONTACT AREA.
SELECTIVE TIN ON PCB TAILS.
NICKEL OVERALL.
 3. REFER TO MOLEX PRODUCT SPECIFICATION PS-76060-999
FOR PERFORMANCE SPECIFICATIONS AND ADDITIONAL PCB INFORMATION.
 4. THIS PART CONFORMS TO CLASS B REQUIREMENTS OF
MOLEX COSMETIC SPEC PS-45499-002.
 5. PARTS PACKAGED PER PK-70873-7703.
 6. SEE SHEETS 2 & 3 FOR PART NUMBERS AND BOARD RELATIONSHIPS.
 7. MATES WITH IMPACT DC SERIES NO. 76150.
 8. REFER TO MOLEX PCB ROUTING GUIDE AS-76060-990 FOR ANTIPAD AND
ROUTING RECOMMENDATIONS.
 9. *THESE DIMENSIONS REPRESENT THE AREA NEEDED TO ACCOMMODATE
CONNECTOR INSERTION AND REPAIR ON THE PC BOARD. THIS IS REFERRED
TO AS THE "CONNECTOR KEEP OUT ZONE" AND DOES NOT REPRESENT THE
ACTUAL PERIMETER OF THE CONNECTOR. WHEN LAYING OUT A PC BOARD FOR
CONNECTORS STACK TOGETHER, USE A 1.9mm PROGRESSION.*

REVISED (MINOR) EC NO: UCP2014-0887 DRWN: B INGHAM 2013/08/25 CHKD: LAURX 2013/08/25 APPR: LAURX 2013/09/25	DESCRIPTION G1	QUALITY SYMBOLS ▽=0 ▽=0 ▽=0	GENERAL TOLERANCES (UNLESS SPECIFIED)		DIMENSION STYLE MM ONLY		SCALE 4:1	DESIGN UNITS METRIC	THIRD ANGLE PROJECTION	
			mm	INCH	DRAWN BY MSANDBERG	DATE 2007/12/26	TITLE IMPACT 6 PAIR HEADER UNGUIDED ASSEMBLY SALES DRAWING	DOCUMENT NO. SD-76145-001		SHEET NO. 1 OF 3
			4 PLACES ± --- ± ---		CHECKED BY JLAURX	DATE 2007/12/26				
			3 PLACES ± --- ± ---		APPROVED BY JLAURX	DATE 2010/02/22				
			2 PLACES ± 0.13 ± ---				THIS DRAWING CONTAINS INFORMATION THAT IS PROPRIETARY TO MOLEX INCORPORATED AND SHOULD NOT BE USED WITHOUT WRITTEN PERMISSION			
			1 PLACE ± 0.25 ± ---							
			0 PLACE ± ±							
			ANGULAR ±1/2°		MATERIAL NO. SEE TABLE					
			DRAFT WHERE APPLICABLE MUST REMAIN WITHIN DIMENSIONS		SIZE C					

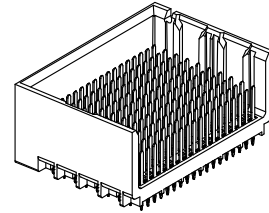
PART NUMBER TABLE

MATERIAL NUMBER	# OF COLUMNS	# OF DIFF PAIR	DIM 'A'	DIM 'B'	DUAL END WALL OPTION
76145-#12*	10	60	21.7	17.10	
76145-#72*	14	84	29.3	24.70	
76145-#62*	16	96	33.1	28.50	



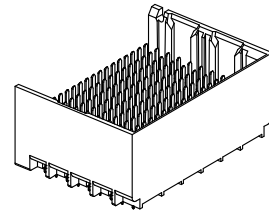
DUAL END
WALL OPTION

MATERIAL NUMBER	# OF COLUMNS	# OF DIFF PAIR	DIM 'A'	DIM 'B'	LEFT END WALL OPTION
76145-#11*	10	60	20.3	17.10	
76145-#71*	14	84	27.9	24.70	
76145-#61*	16	96	31.7	28.50	



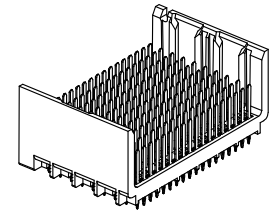
LEFT END
WALL OPTION

MATERIAL NUMBER	# OF COLUMNS	# OF DIFF PAIR	DIM 'A'	DIM 'B'	RIGHT END WALL OPTION
76145-#13*	10	60	20.3	17.10	
76145-#73*	14	84	27.9	24.70	
76145-#63*	16	96	31.7	28.50	



RIGHT END
WALL OPTION

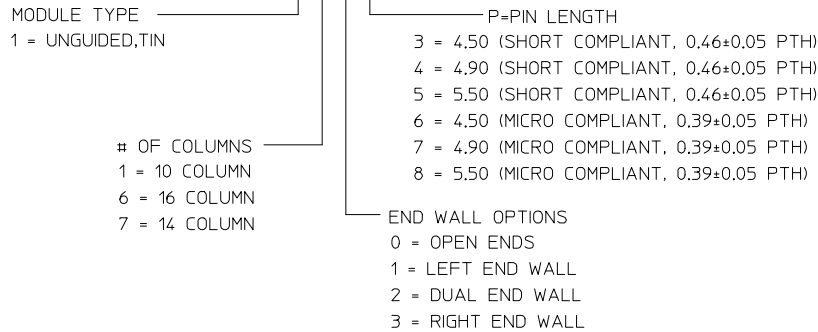
MATERIAL NUMBER	# OF COLUMNS	# OF DIFF PAIR	DIM 'A'	DIM 'B'	OPEN WALL OPTION
76145-#10*	10	60	18.9	17.10	
76145-#70*	14	84	26.5	24.70	
76145-#60*	16	96	30.3	28.50	



OPEN
WALL OPTION

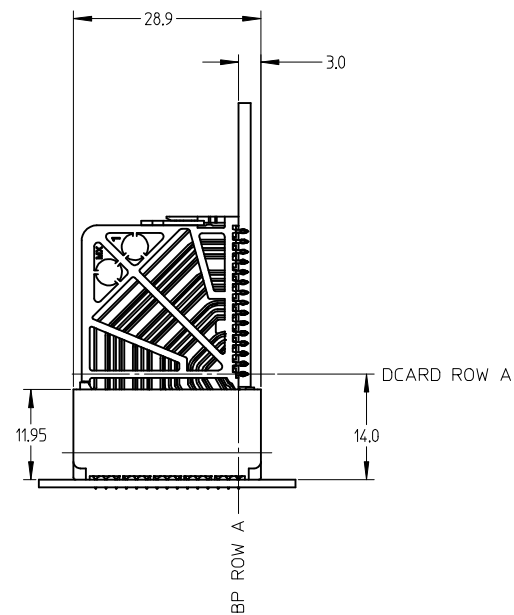
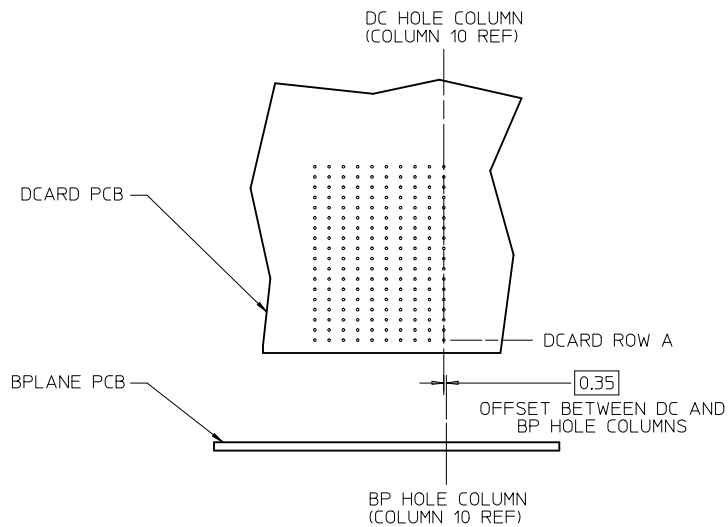
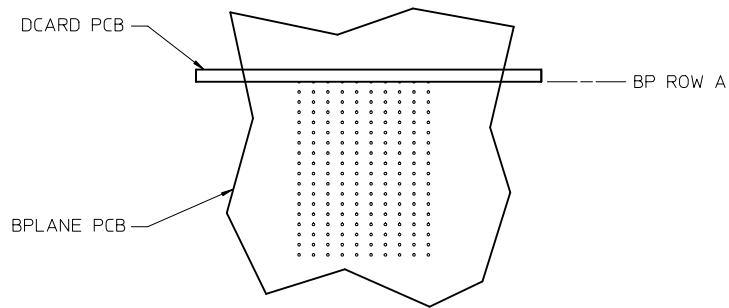
PART NUMBER LOGIC

76145-****



SEE SHEET 1 EC NO: UCP2014-0887 DRWN: B INGHAM 2013/08/25 CHKD: JLAURX 2013/08/25 APPR: JLAURX 2013/09/25	QUALITY SYMBOLS ▽=0 ▽=0 ▽=0	GENERAL TOLERANCES (UNLESS SPECIFIED)		DIMENSION STYLE MM ONLY		SCALE 2:1	DESIGN UNITS METRIC	THIRD ANGLE PROJECTION	
				DRAWN BY MSANDBERG	DATE 2007/12/26	TITLE IMPACT 6 PAIR HEADER UNGUIDED ASSEMBLY SALES DRAWING molex			
				CHECKED BY JLAURX	DATE 2007/12/26				
				APPROVED BY JLAURX	DATE 2010/02/22				
		ANGULAR ±1/2°		MATERIAL NO. SEE TABLE		DOCUMENT NO. SD-76145-001		SHEET NO. 2 OF 3	
DRAFT WHERE APPLICABLE MUST REMAIN WITHIN DIMENSIONS		THIS DRAWING CONTAINS INFORMATION THAT IS PROPRIETARY TO MOLEX INCORPORATED AND SHOULD NOT BE USED WITHOUT WRITTEN PERMISSION							

IMPACT 6 PAIR
BOARD RELATIONSHIPS



SEE SHEET 1 EC NO: UCP2014-0887 DRWN: BINGHAM 2013/08/25 CHKD: JLAURX 2013/08/25 APPR: JLAURX 2013/09/25	QUALITY SYMBOLS	GENERAL TOLERANCES (UNLESS SPECIFIED)	DIMENSION STYLE	SCALE	DESIGN UNITS	THIRD ANGLE PROJECTION
	▽=0	mm INCH	MM ONLY	2:1	METRIC	
	▽=0	4 PLACES ± --- ± ---	DRAWN BY DATE	TITLE		
	▽=0	3 PLACES ± --- ± ---	MSANDBERG 2007/12/26	IMPACT 6 PAIR HEADER		
	▽=0	2 PLACES ± 0.13 ± ---	CHECKED BY DATE	UNGUIDED ASSEMBLY		
	1 PLACE ± 0.25 ± ---	JLAURX 2007/12/26	SALES DRAWING			
	0 PLACE ± ±	APPROVED BY DATE	molex			
		JLAURX 2010/02/22	MATERIAL NO.	DOCUMENT NO.	SHEET NO.	
			SEE TABLE	SD-76145-001	3 OF 3	
		ANGULAR ±1/2°	THIS DRAWING CONTAINS INFORMATION THAT IS PROPRIETARY TO MOLEX INCORPORATED AND SHOULD NOT BE USED WITHOUT WRITTEN PERMISSION			
		DRAFT WHERE APPLICABLE MUST REMAIN WITHIN DIMENSIONS				
G1	REV		SIZE			
			C			